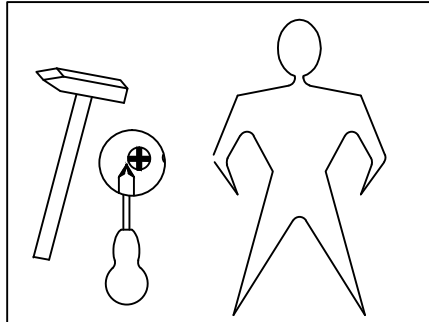
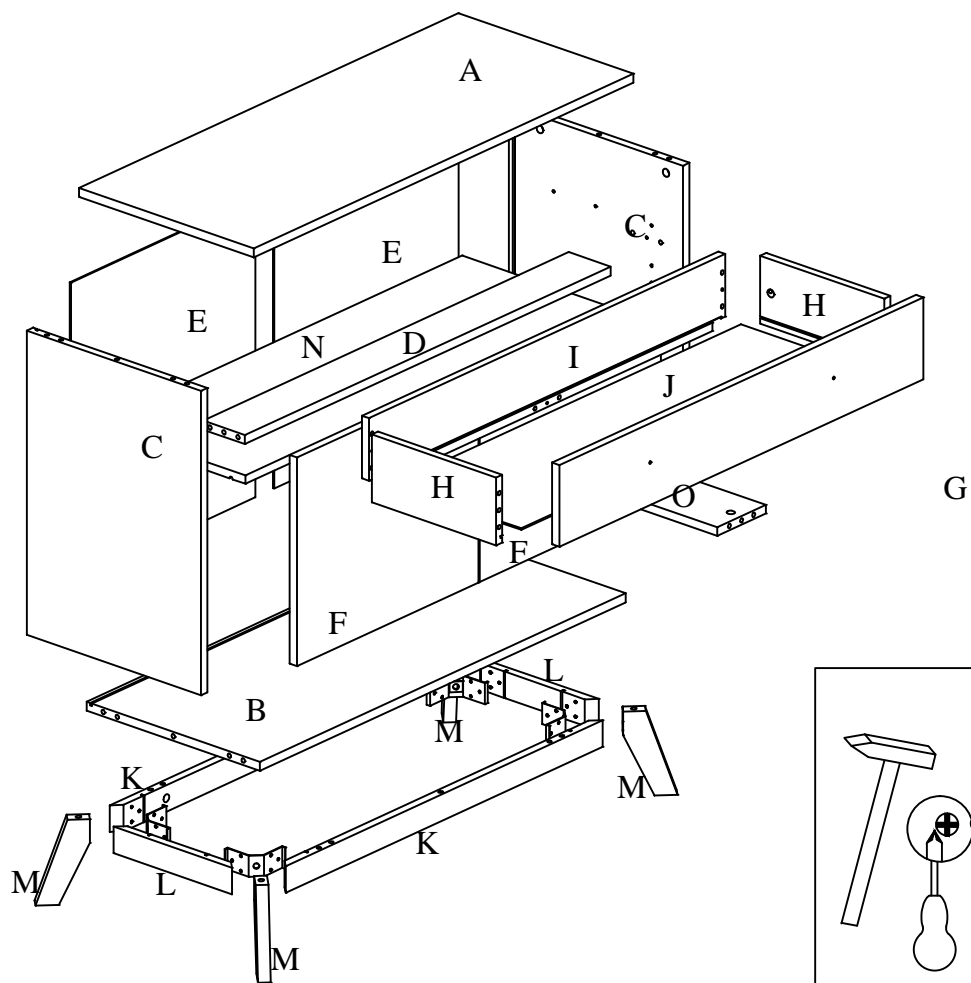
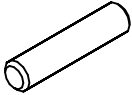
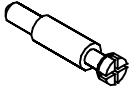
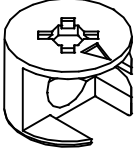
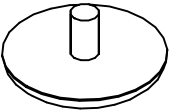

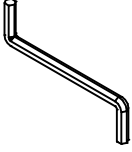
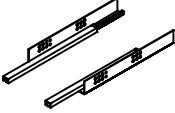
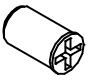
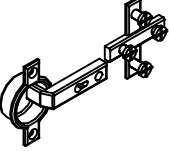

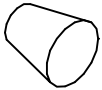

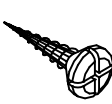
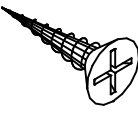
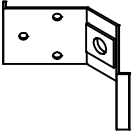
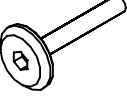
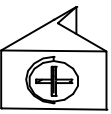




Designed by

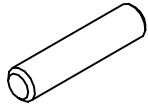
Leonhard Pfeifer



	A1  ø8x35	A2  ø7x24	A3  ø15x11.5	A4  ø17	A5  ø20	A6  4mm
QTY	x32	x22	x22	x4	x4	x1
	A7  L310	A8  ø6,3x11,5	A9  x4	A10   ø15/25x25 (ø3,5x35)	A11  ø5	A12  ø3,5x16
QTY	x1	x4	x4	x4	x4	x24
	A13  ø3,5x15	A14  95x40x1,5	A15  M6x30	A16  (ø3x20)	A17  ø5	A18  L555
QTY	x8	x4	x4	x6	x4	x1

Step 1

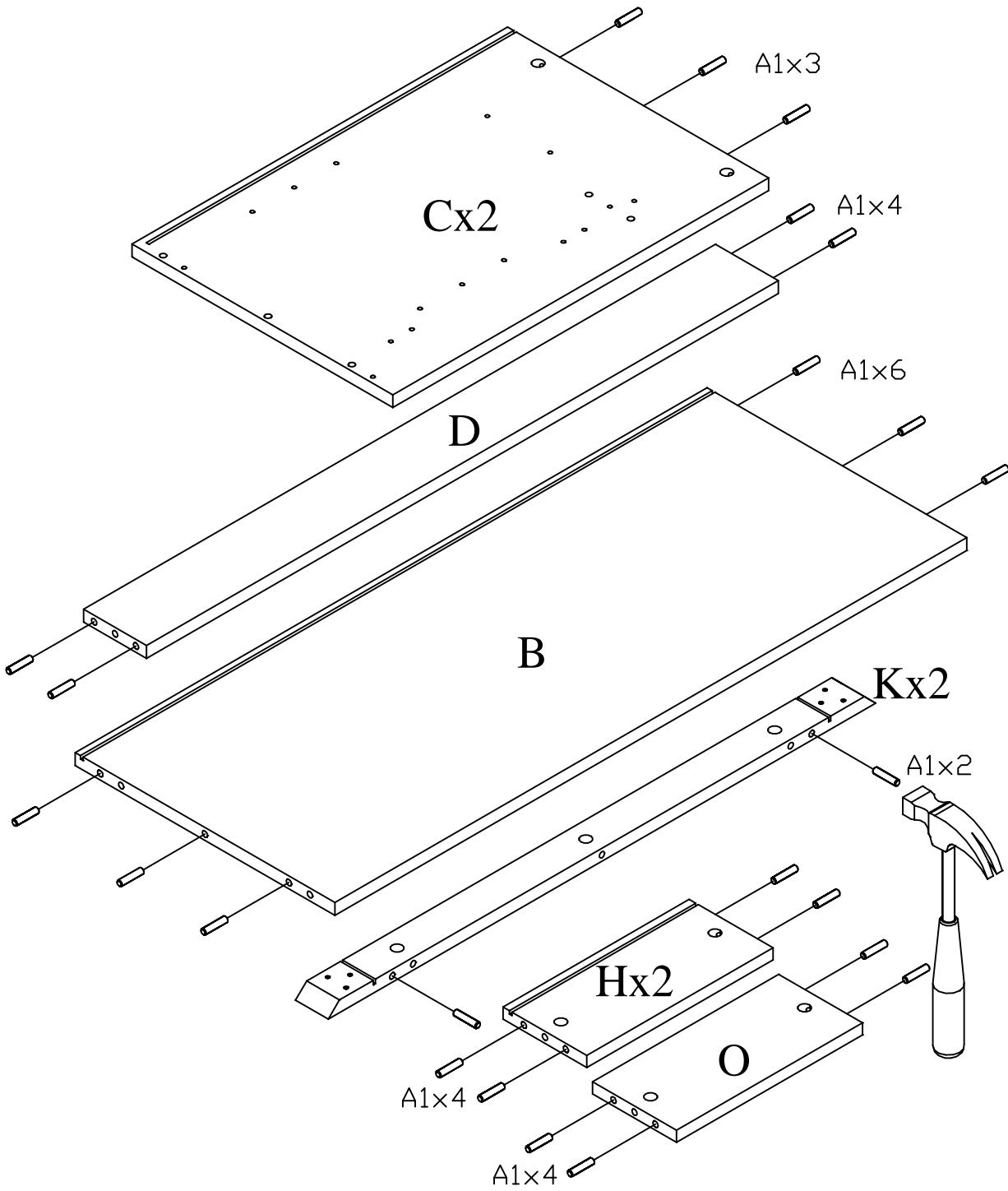
A1



ø8x35

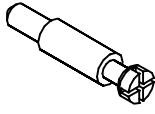
QTY

x32



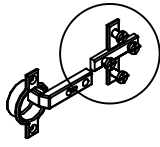
Step 2

A2



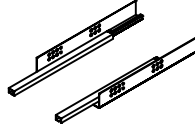
∅7x24

A9



x4

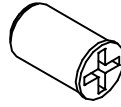
A7



L310

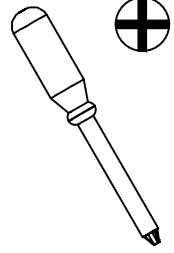
x1

A8



∅6,3x11,5

x4



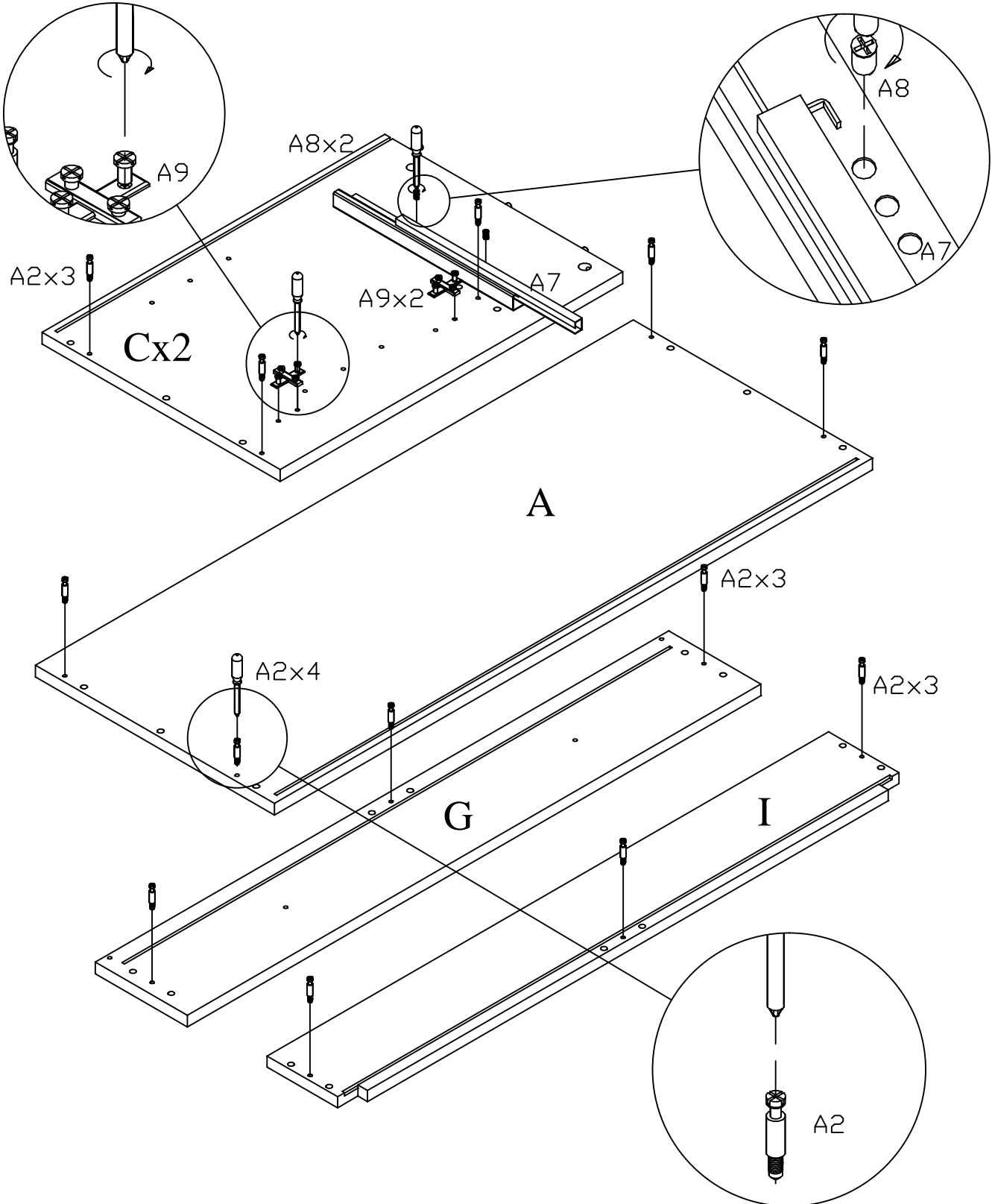
QTY

x16

x4

x1

x4



Step 3

A3

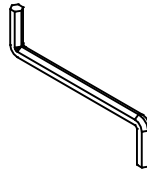


Ø15x11.5

QTY

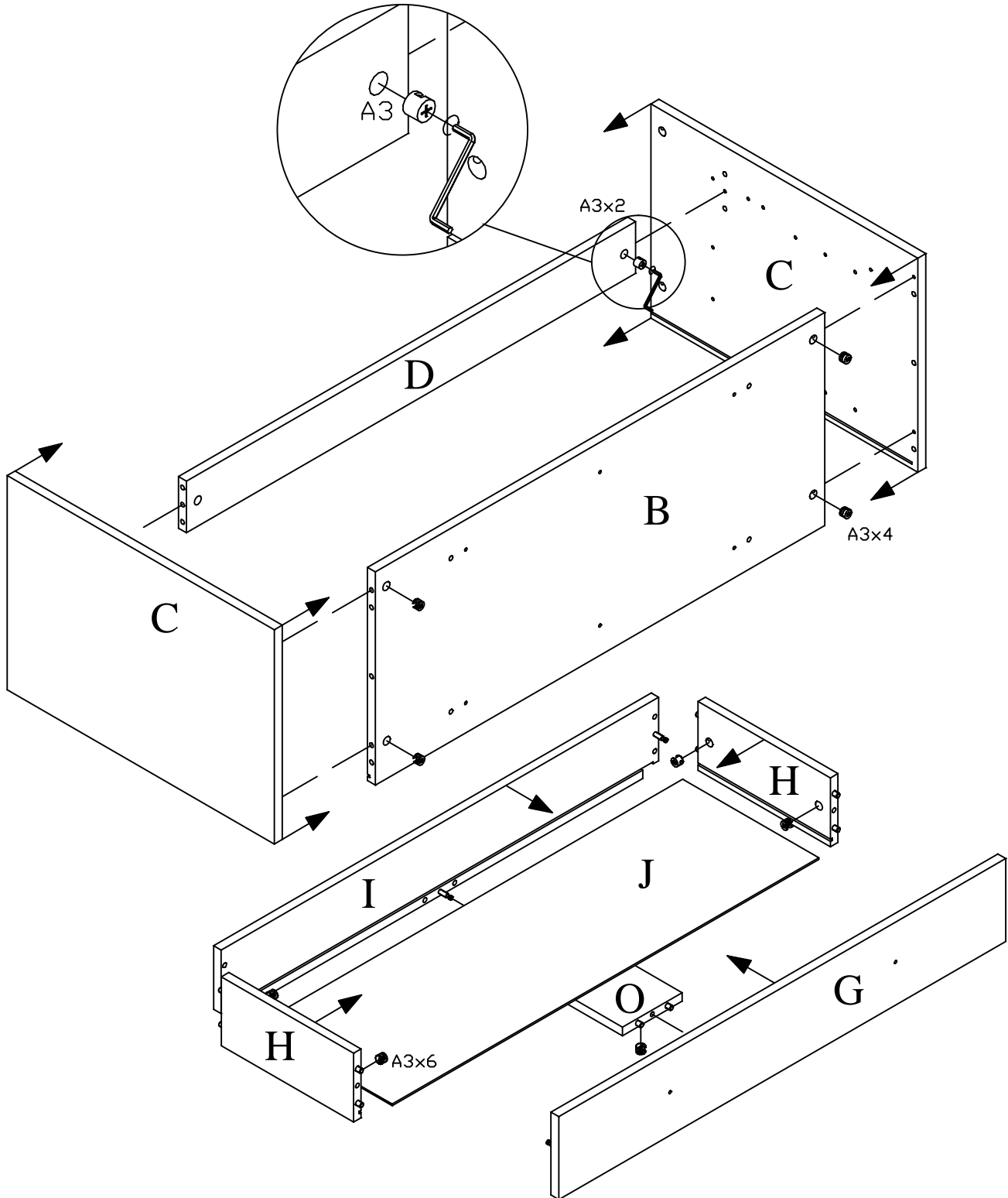
x12

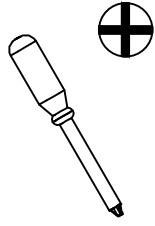
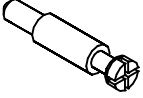
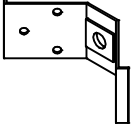
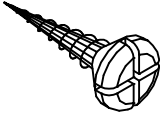

A6

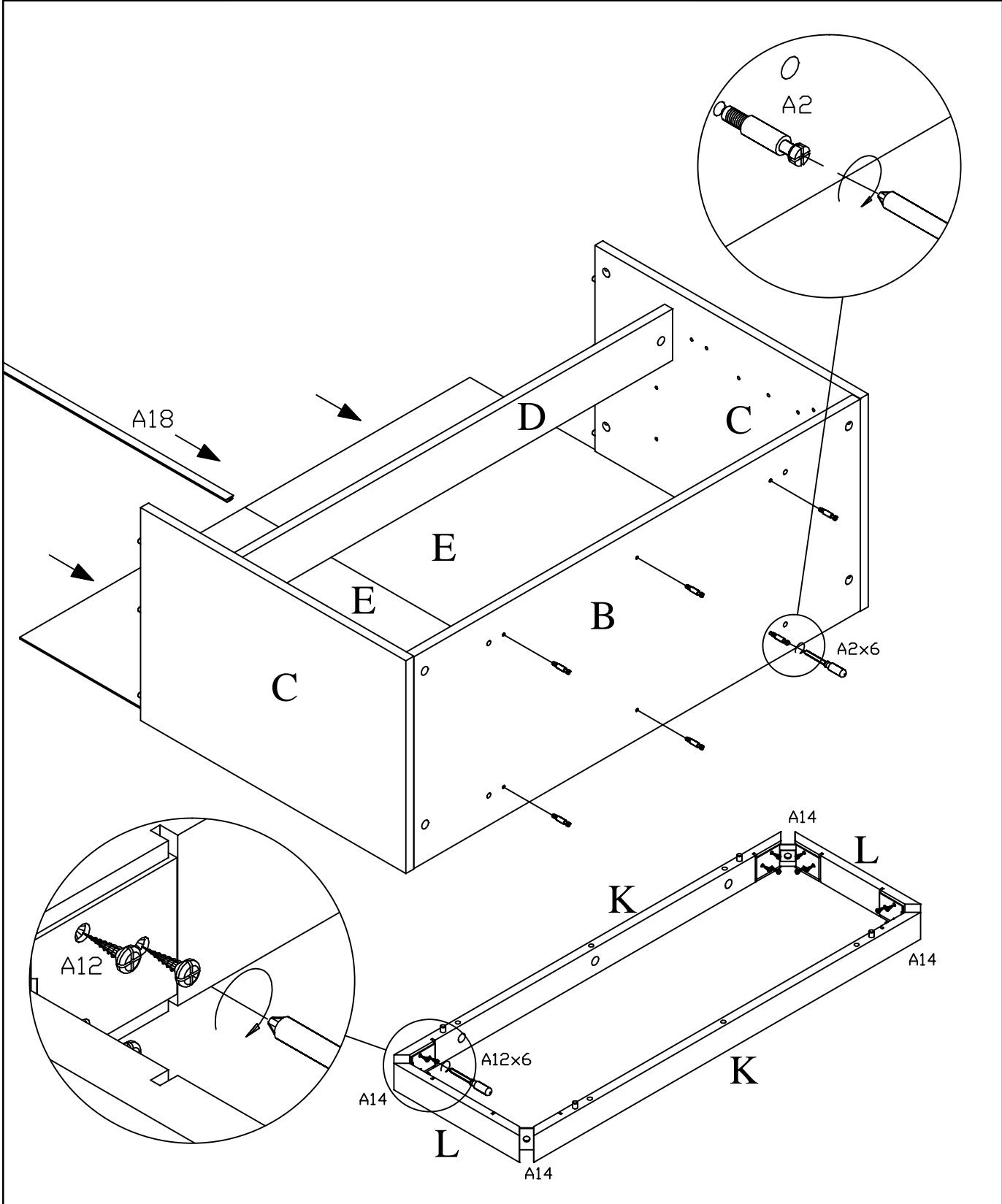


4mm

x1

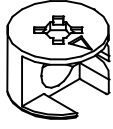


Step 4	A2	A14	A12	A18	
					
	∅7x24	95x40x1,5	∅3,5x16	L-555	
QTY	x6	x4	x24	x1	



Step 5

A3

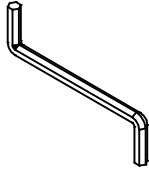


∅15x11.5

QTY

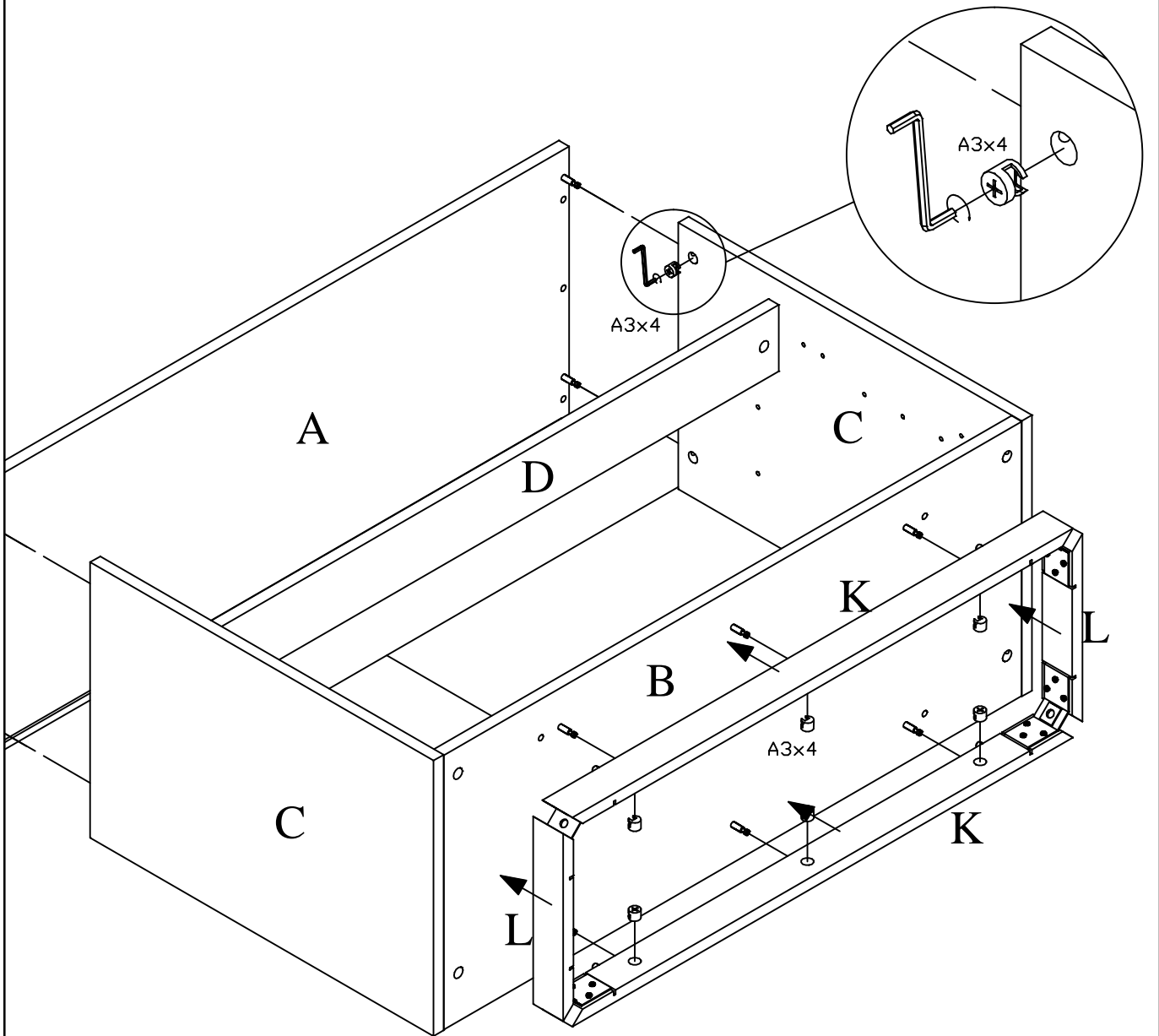
x10

A6



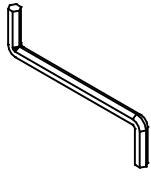
4mm

x1



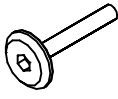
Step 6

A6



4mm

A15



M6x30

A11



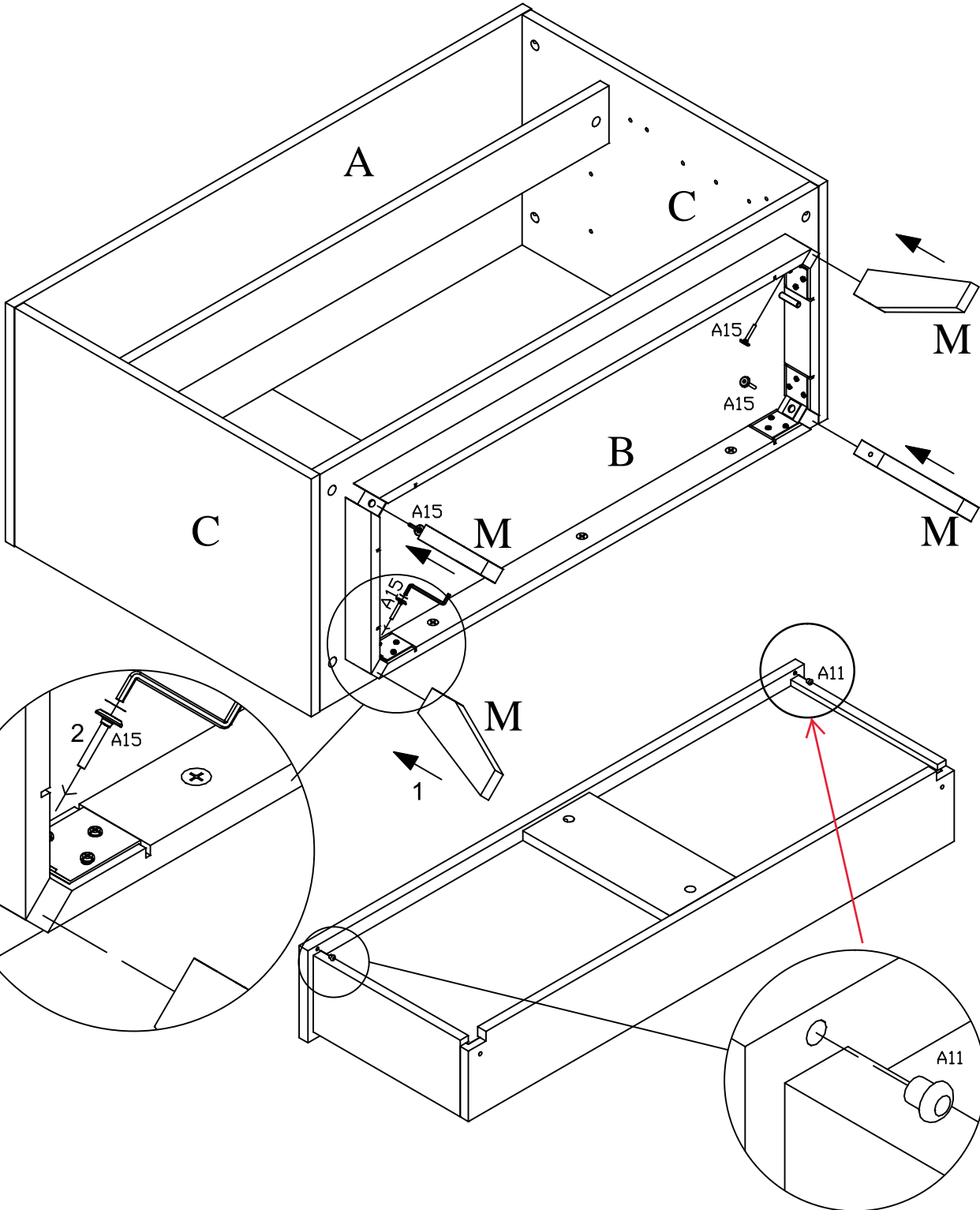
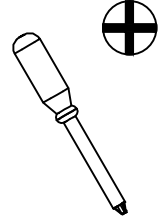
ø5

QTY

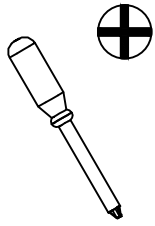
x1

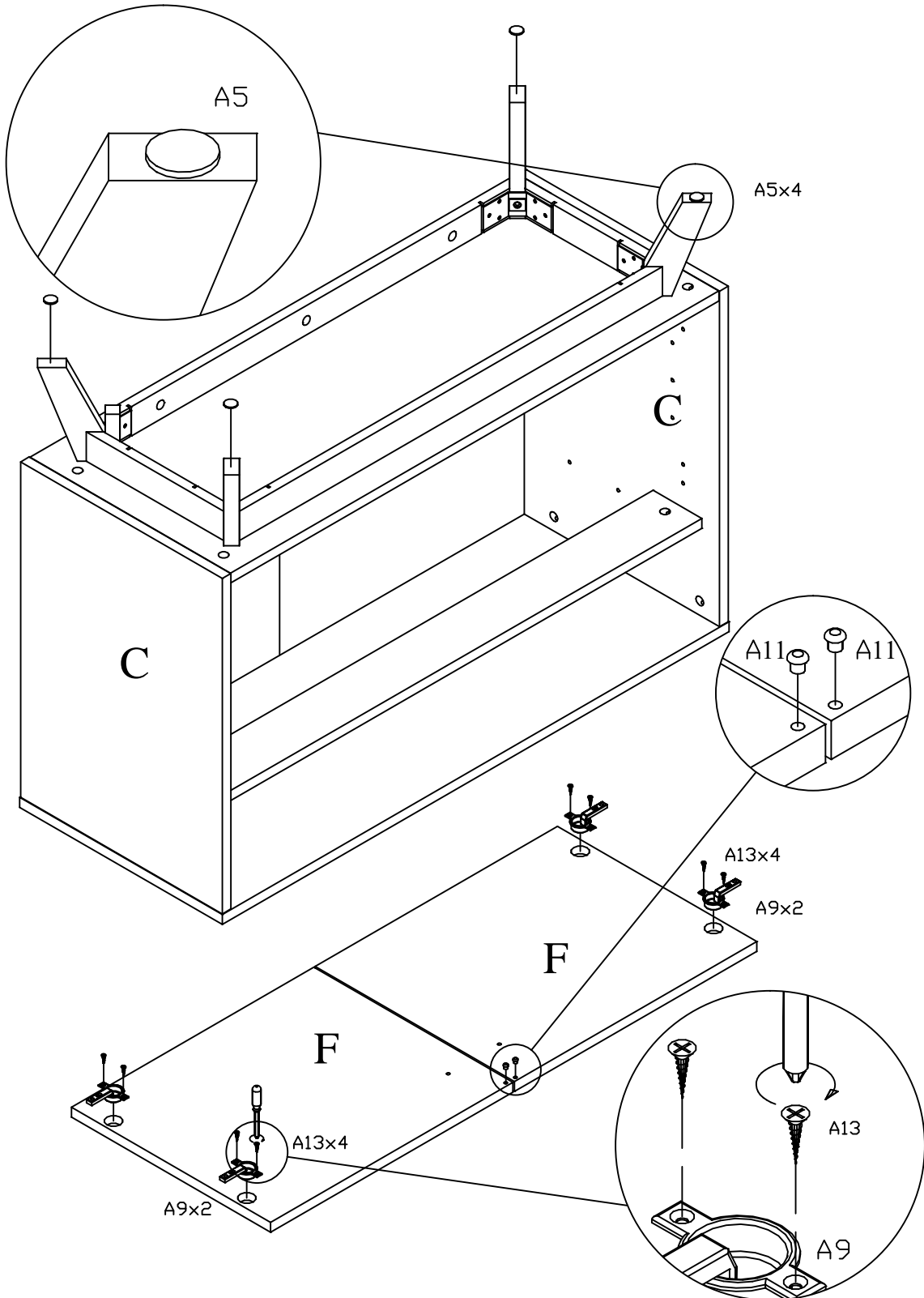
x4

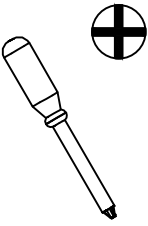

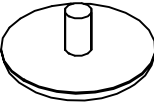

x2

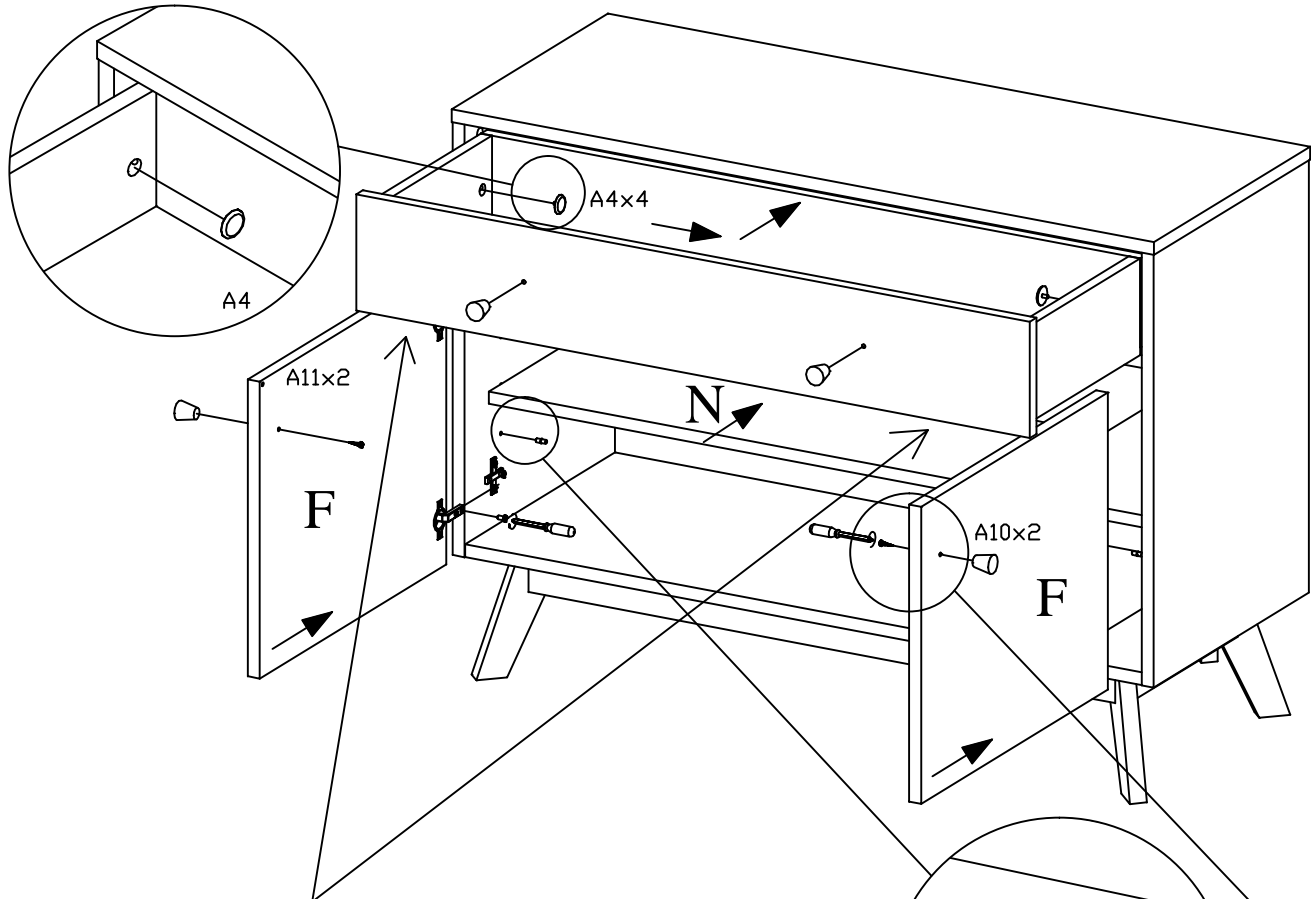


Step 7

	A13	A9	A5	A 11	
QTY	x8	x4	x4	x2	

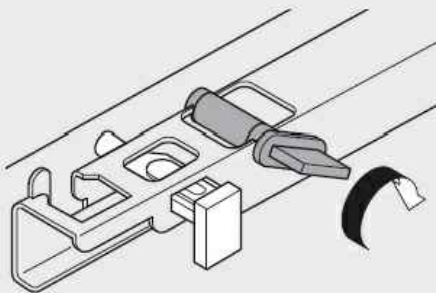


Step 8	A10	A4	A17	
	 ø15/25x25 (ø3,5x35)	 ø17	 ø5	
QTY	x4	x4	x4	



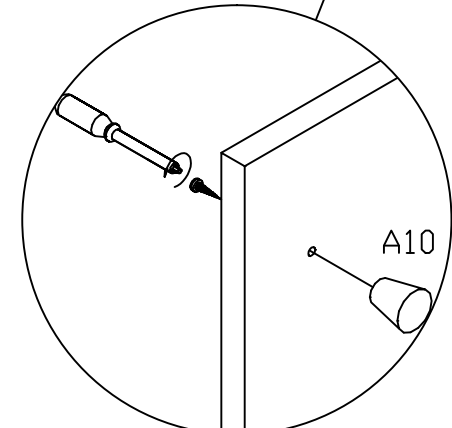
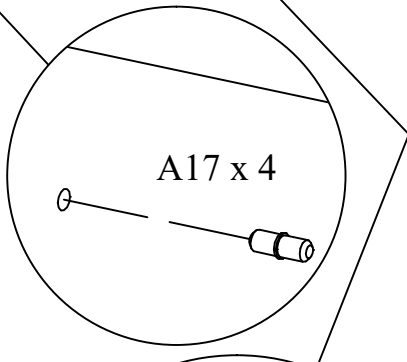
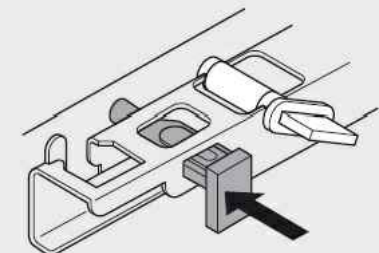
Height adjustment

It's possible to make height adjustments of up to +2.5 mm. This tool-free feature produces uniform gap alignment.



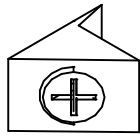
Lift-off stop

The lift-off stop prevents drawers and pull-outs from accidentally lifting off the runner. If required, the lift-off stop can be released by pulling a lever.

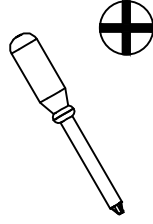


Step 9

A16



(\varnothing 3x20)



QTY

x6

