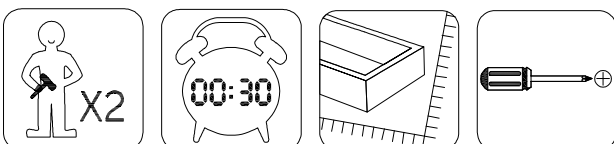
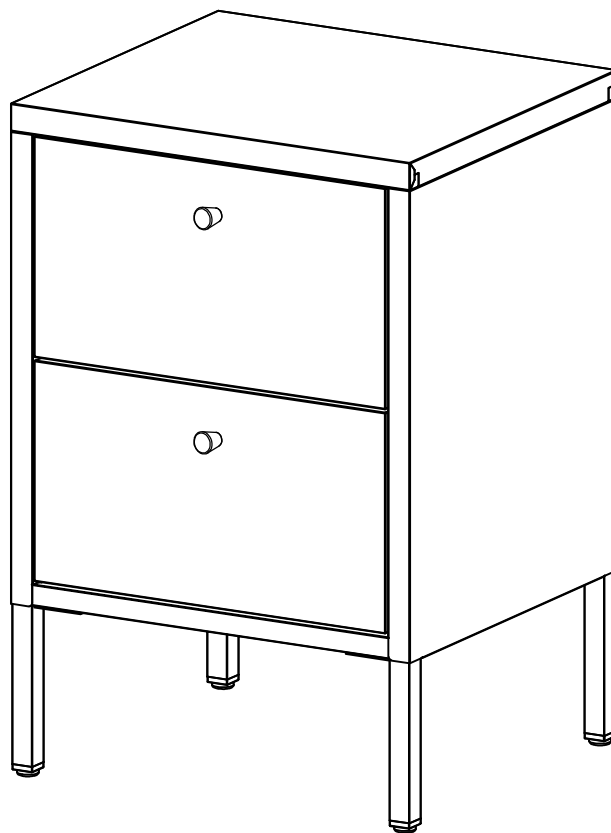
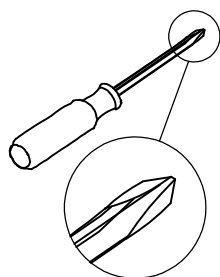
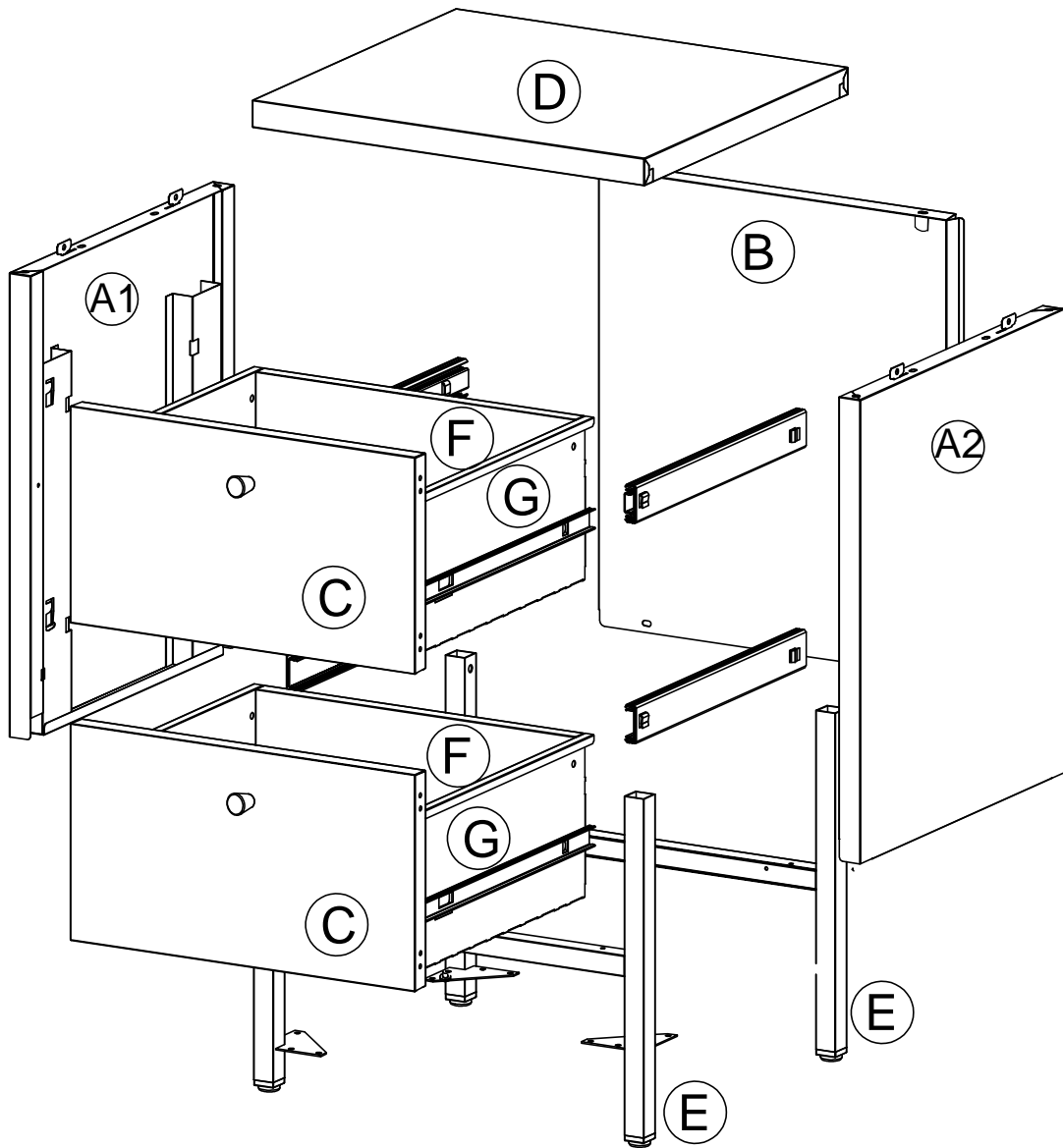


3003020

**HOUSE  
NORDIC**

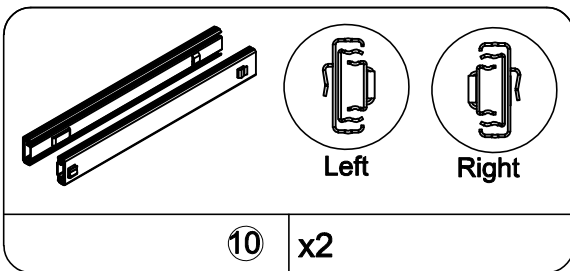
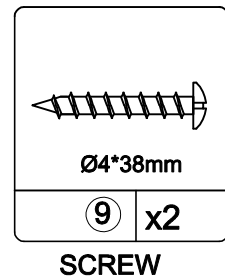
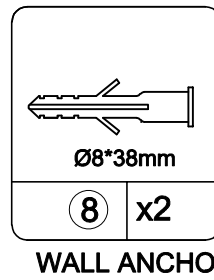
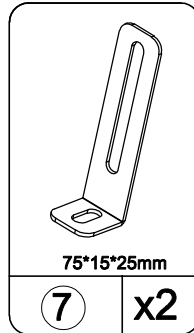
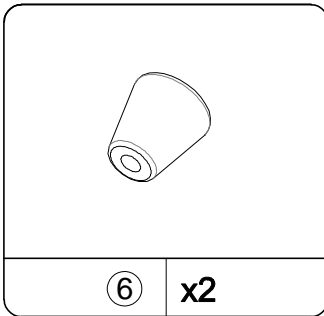
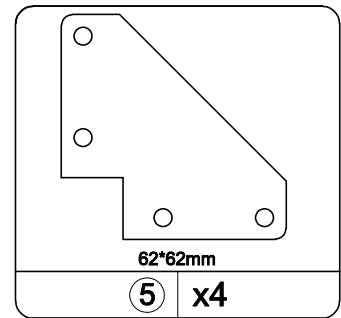
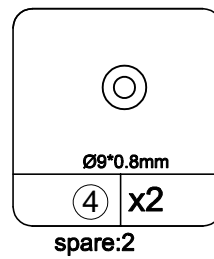
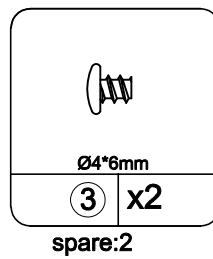
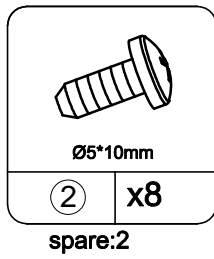
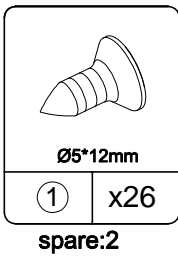
Chest, 2 drawers, steel, black, 40x40x59.5 cm



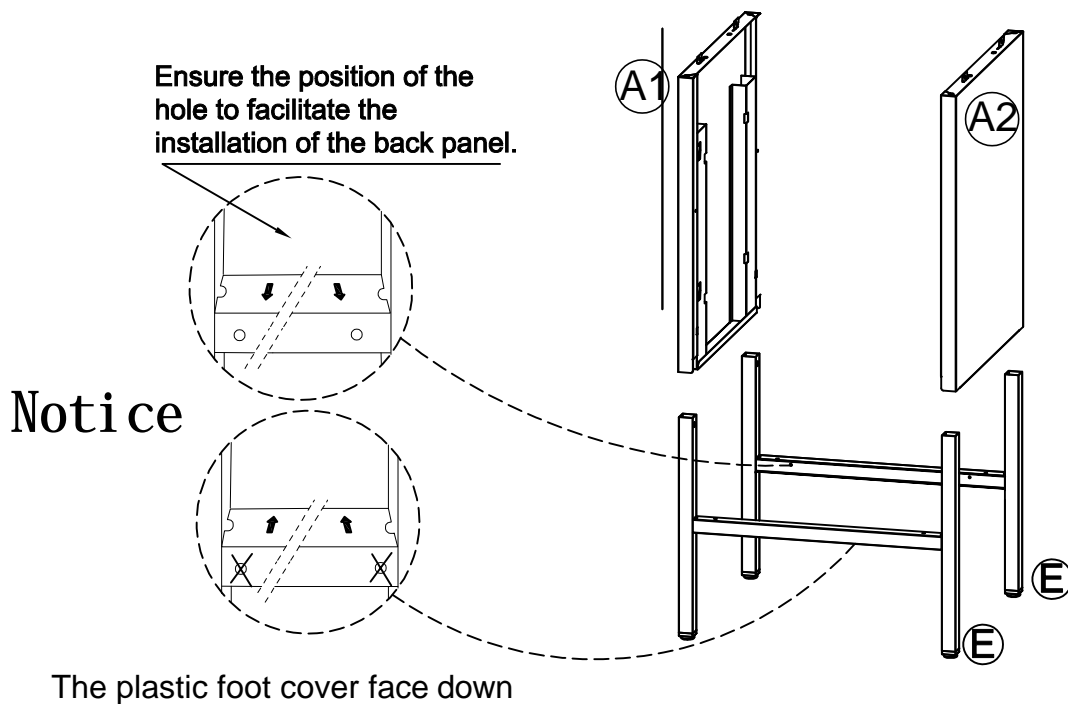


Hardware	Ctn No.	1
----------	---------	---

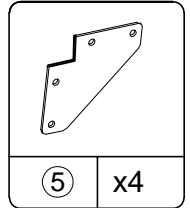
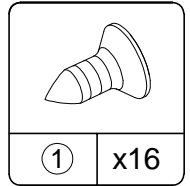
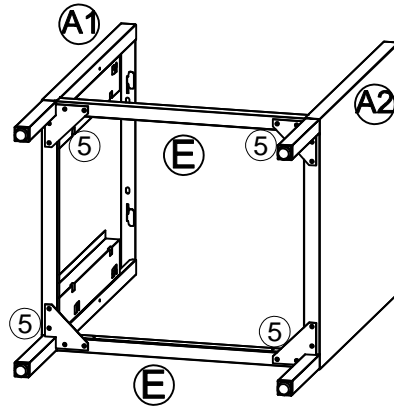
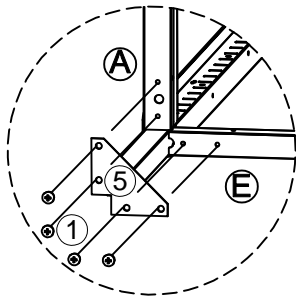
No.		Qty
A1	419x400x24mm	1
A2	419x400x24mm	1
B	365x412x23mm	1
C	352x196.5x20mm	2
D	400x400x25mm	1
E	270x398x20mm	2
F	328x149x15mm	2
G	329x360x150mm	2



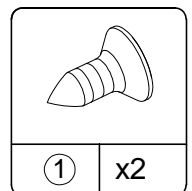
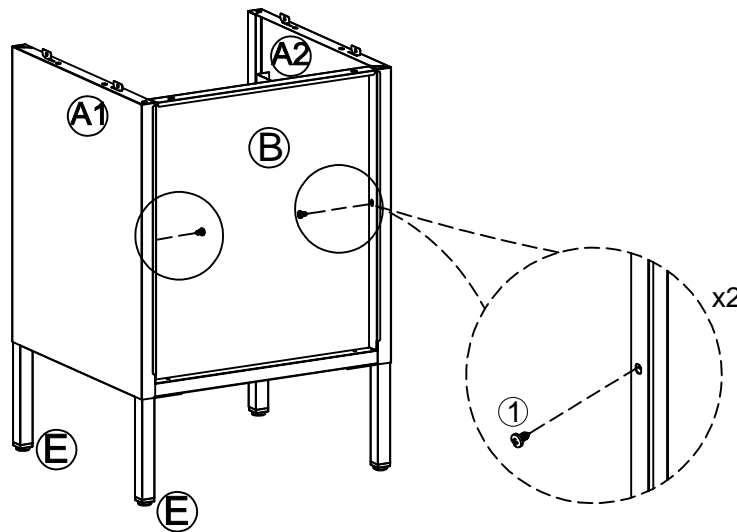
(1) - Attach (A1)&(A2) to (E) as below shown.



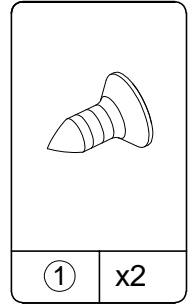
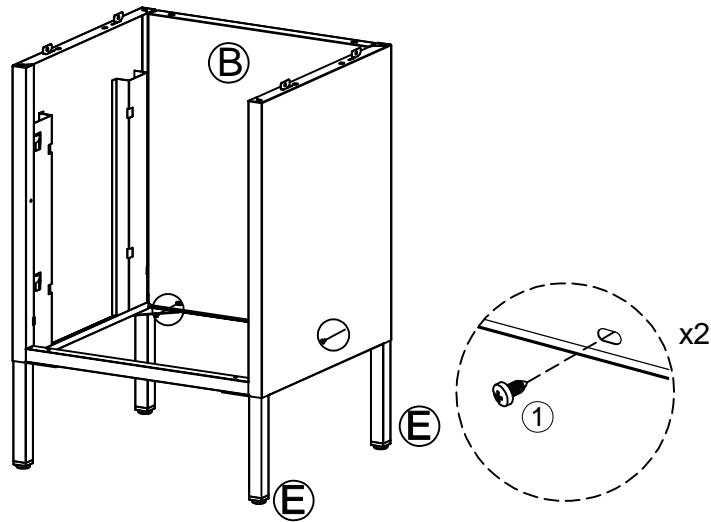
(2) - Attach ⑤ to (A1)&(A2)&(E) as below shown.



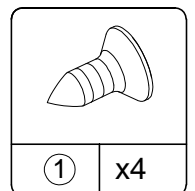
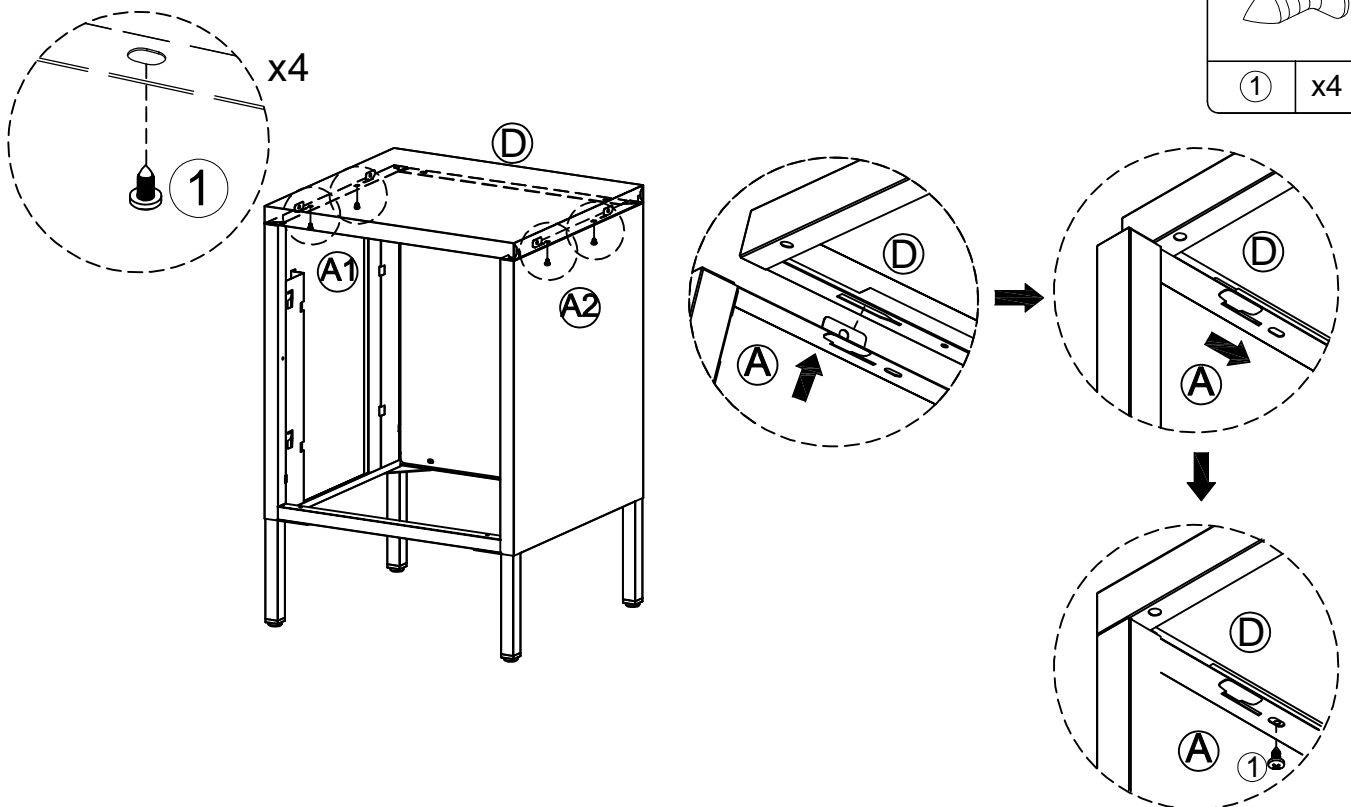
(3) - Attach (B) to (A1) &(A2) as below shown.



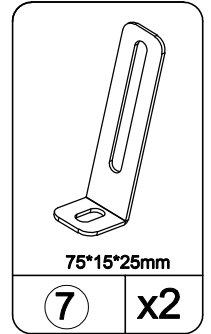
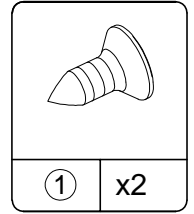
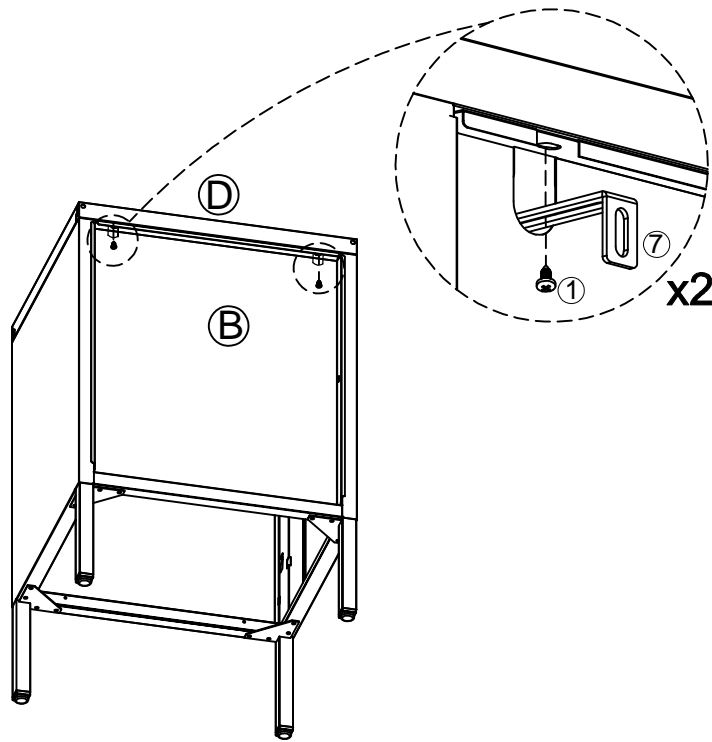
(4) - Attach (B) to (E) as below shown.



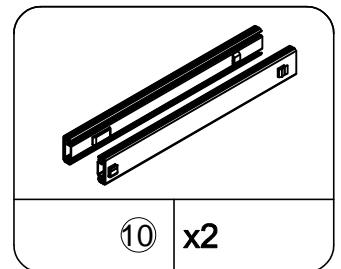
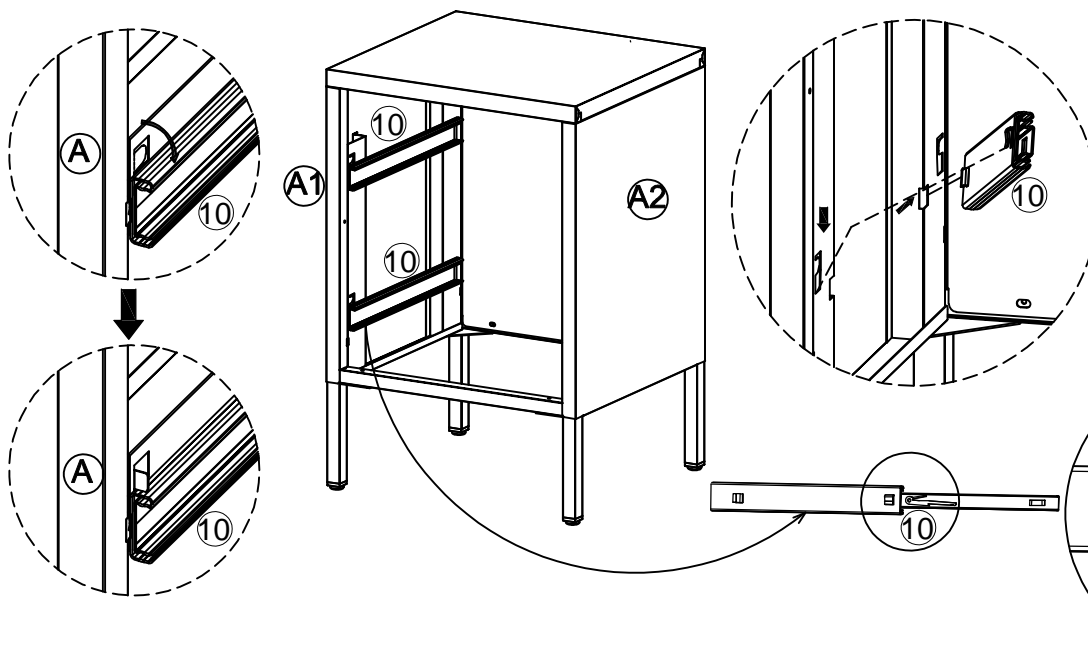
(5) - Attach (D) to (A1) & (A2) as below shown.



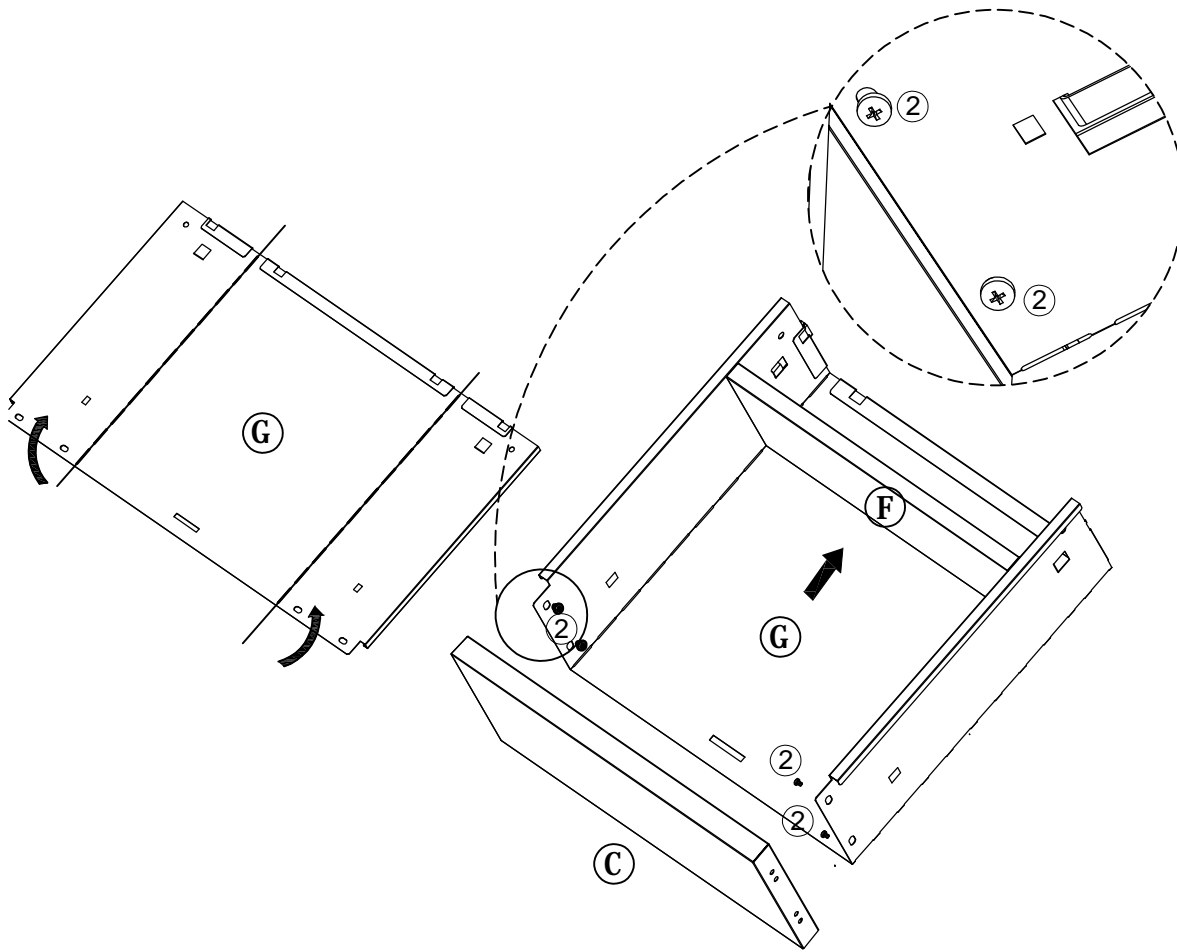
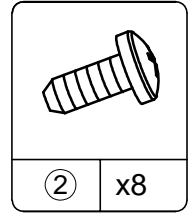
(6) - Attach (B)&(7) to (D) as below shown.



(7) - Attach (10) to (A1) &(A2) as below shown.

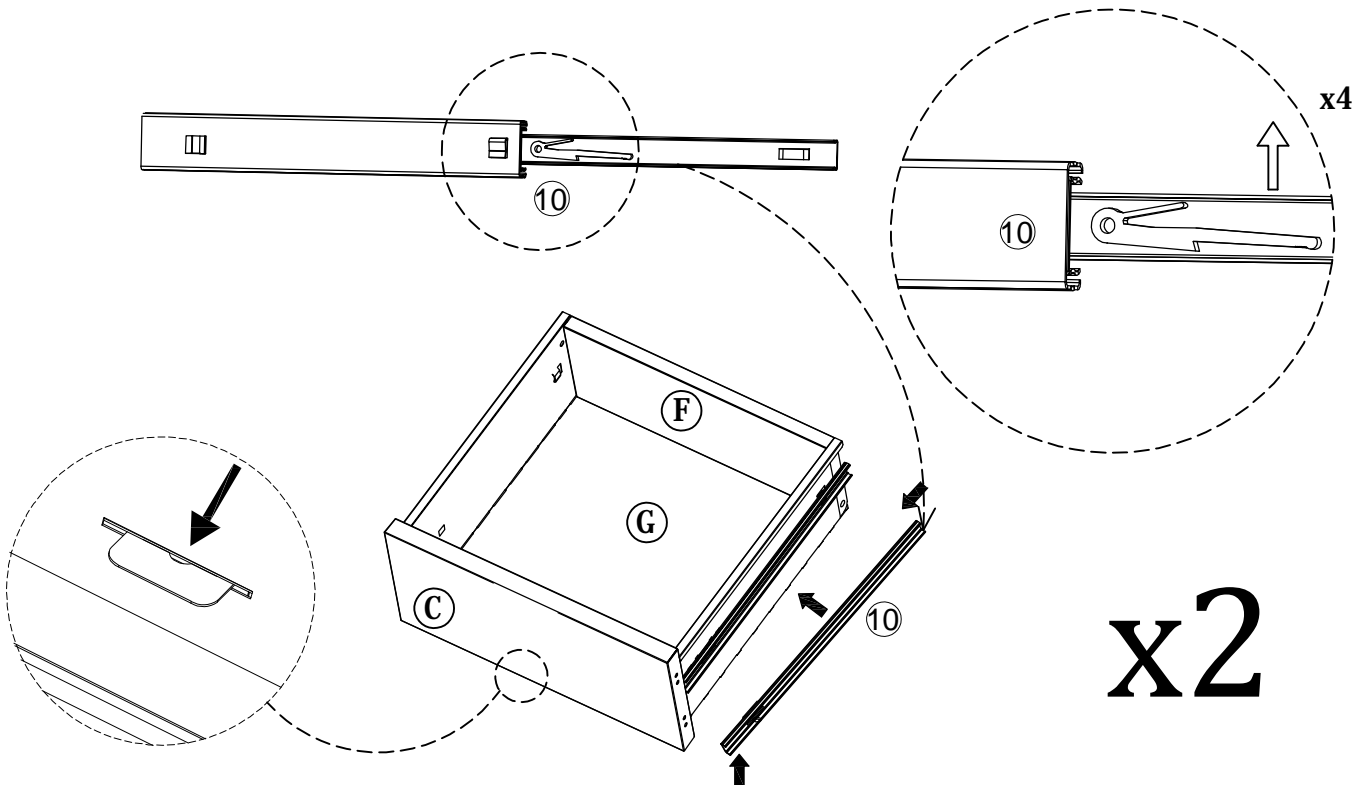


(8) - Attach (G) to pre-assembled unit as below shown.



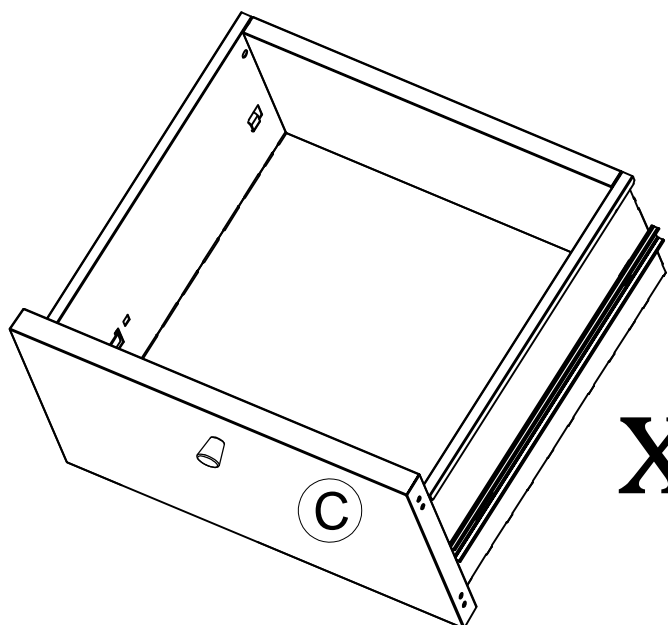
**x2**

(9) - Attach (10) to (G) as below shown.

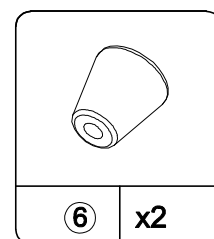
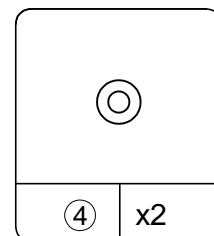
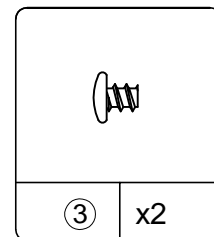
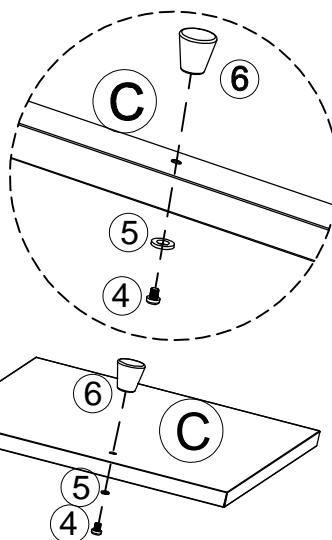


**x2**

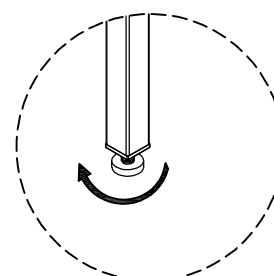
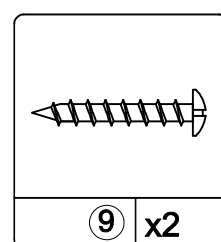
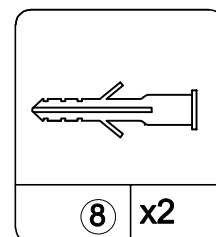
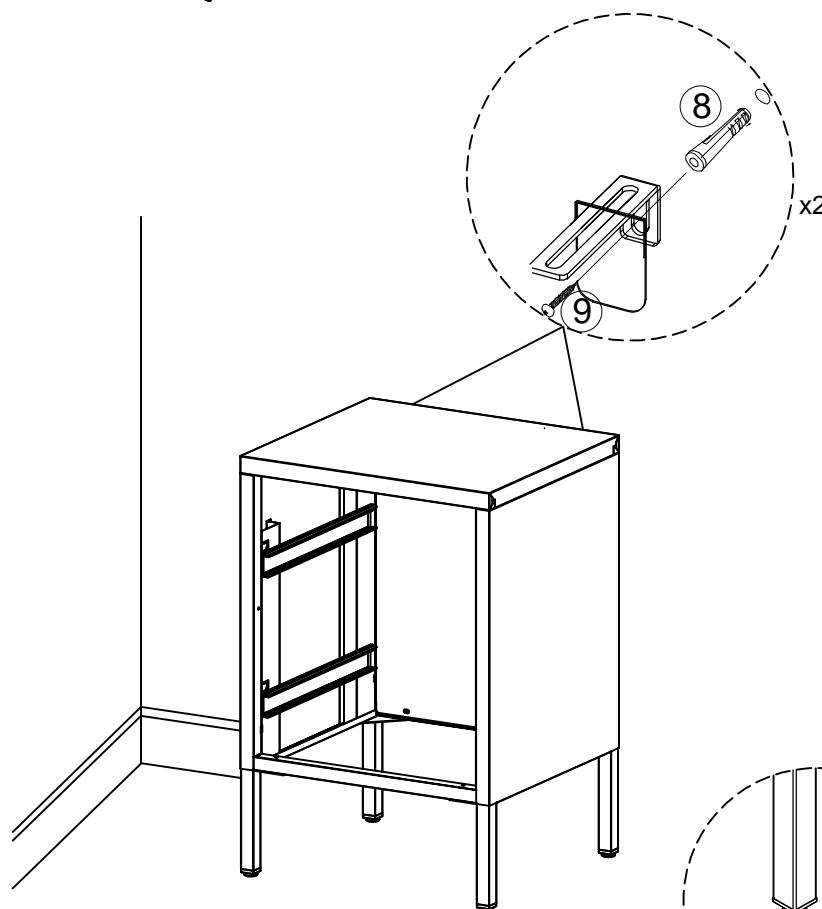
(10) - Attach (6) to (C) as below shown.



x2



(11)



Gaps may appear between the top of the doors and the frame if the item is not on level ground; use the plastic foot cover to level.



(12) - Attach (C) to pre-assembled unit as below shown.

