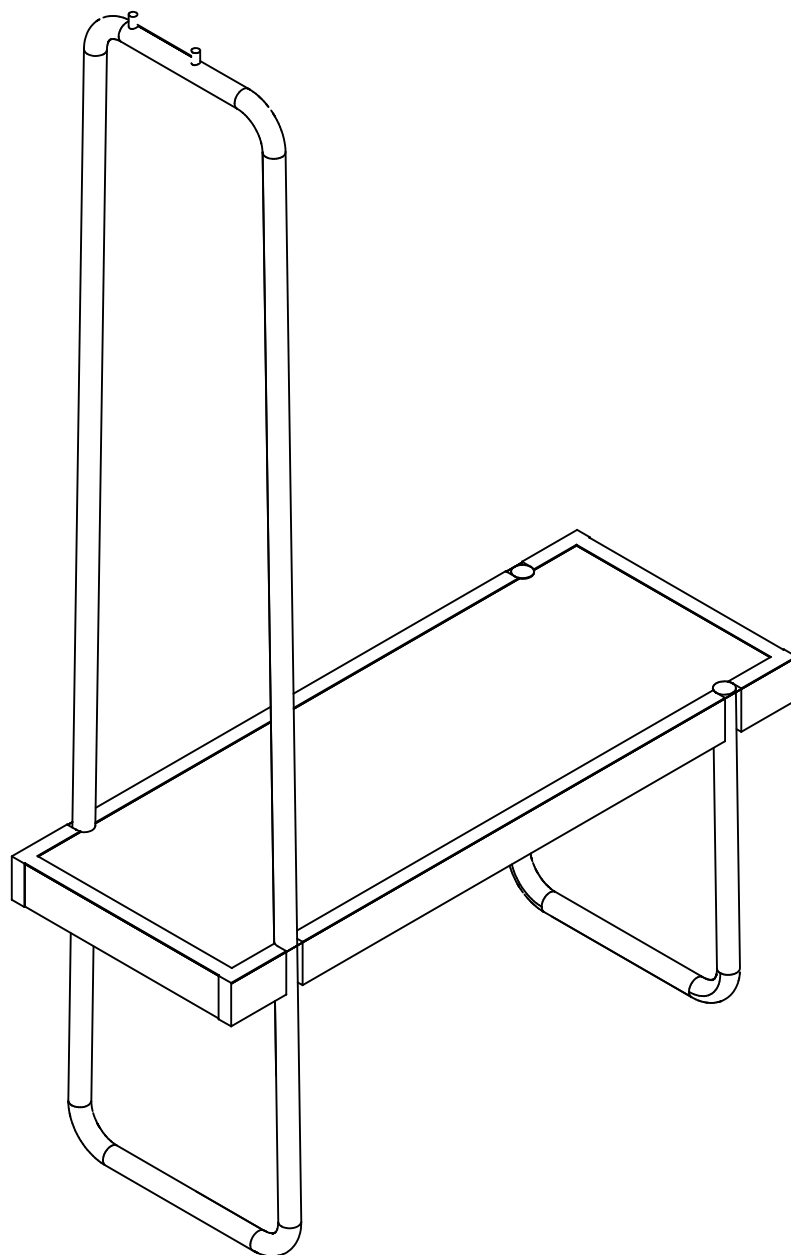
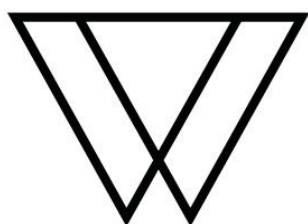


# Assembly Instruction

---



**Batch / Ref. no**



**WOODMAN®**

DESIGN FURNITURE FACTORY

**Woodman OÜ**

Made in Estonia  
Mäo, Järvamaa  
[www.woodman.ee](http://www.woodman.ee)  
[support@woodman.ee](mailto:support@woodman.ee)

Ver3

# Dear Customer

Congratulations on your new purchase. Follow this advice and get the best result when assembling the product.

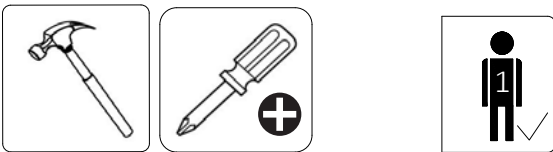
Read the instruction carefully before you start  
Get help, If two or more persons are required for assembly  
Make sure, you have all parts on the total material list  
Work on a soft, flat surface to avoid any damage to the finish.

Follow the assembly instruction  
Tighten the furniture joints after a month  
Keep the assembly instruction

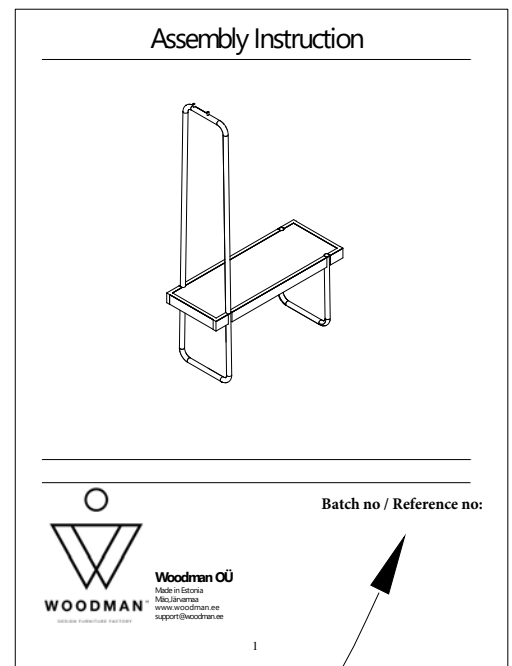
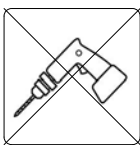
## Allocate time

Some furniture can be assembled in minutes. Others - e.g. products in several parts - can take more than an hour to finish. Make sure to allocate good time or divide up the work.

### Tools needed



### Don't use!!!




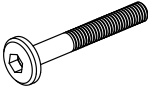

ENG - In case of any quality issues, contact your local dealer and always mention item reference No.

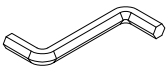
FR - En cas de problèmes de qualité, contactez votre revendeur local et mentionnez toujours la référence de l'article.

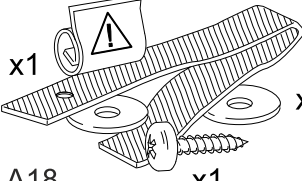
IT - In caso di eventuali problemi di qualità, contattare il rivenditore locale e citare sempre punto di riferimento No.

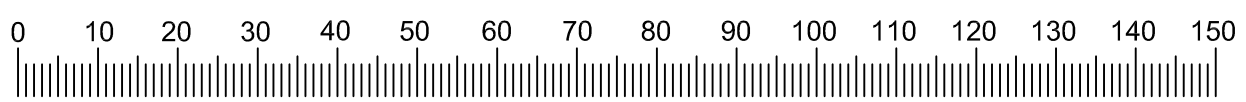
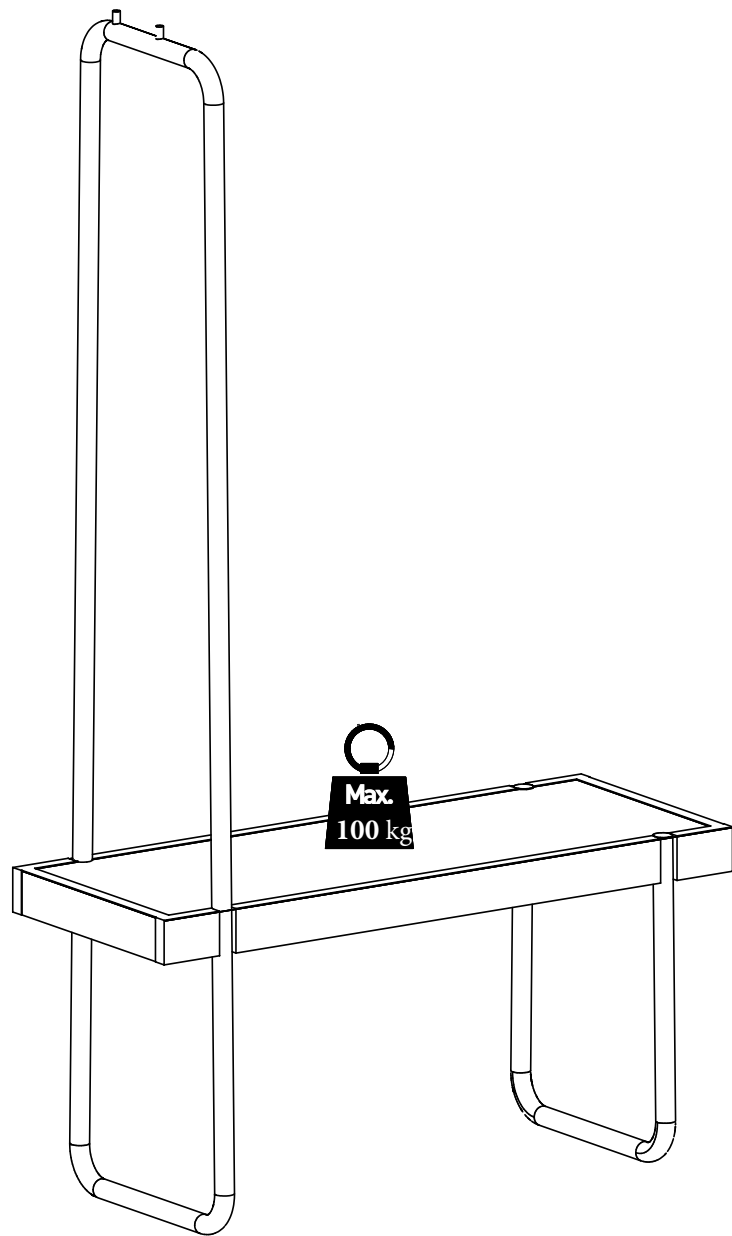
ES - En caso de problemas de calidad, póngase en contacto con su distribuidor local y mencione siempre la referencia del artículo.

DE - Wenn Sie Qualitätsprobleme haben wenden Sie sich bitte an ihren örtlichen Händler und erwähnen Sie immer die Artikelnummer.

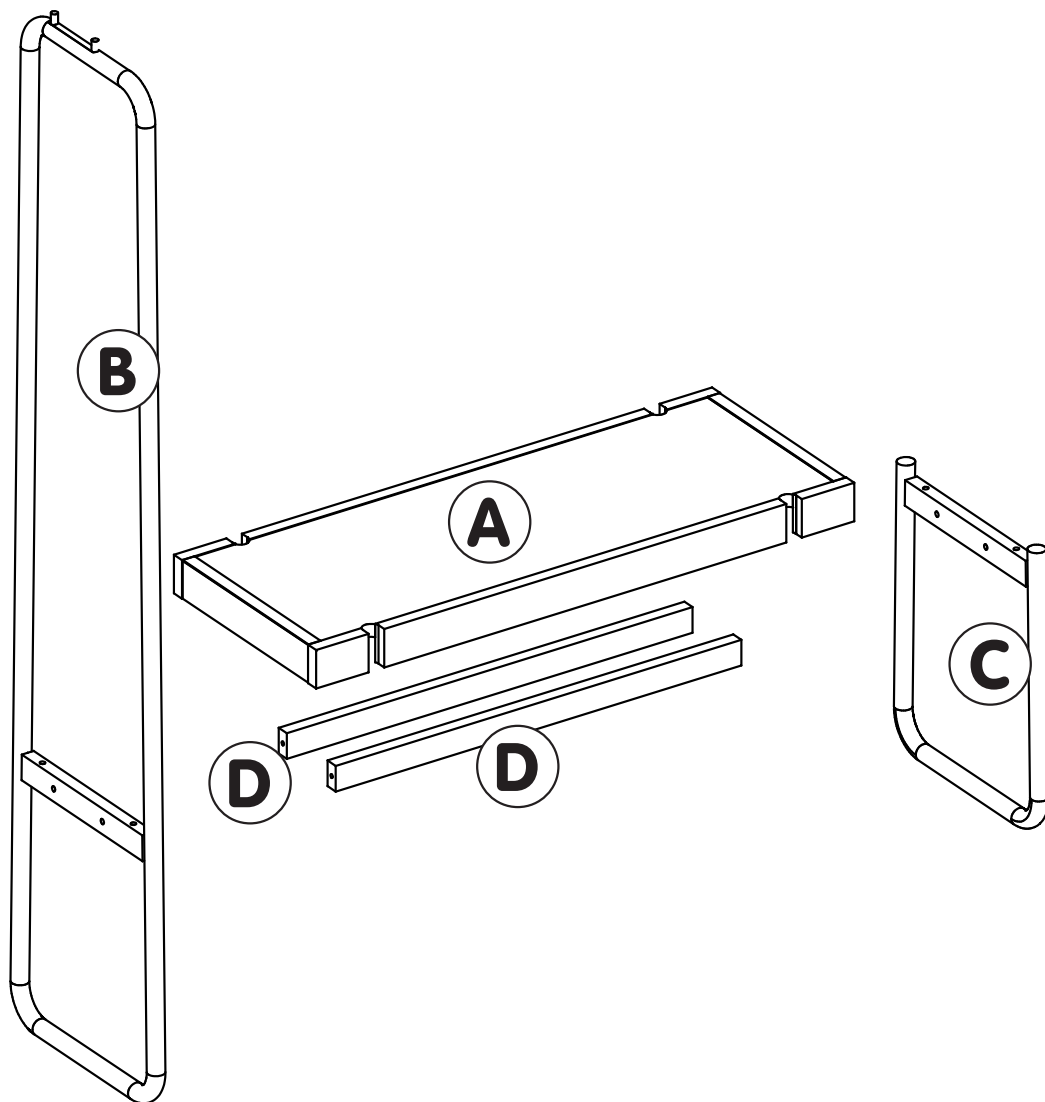
|           |  |           |  |           |  |
|-----------|--|-----------|--|-----------|--|
| <b>A1</b> | <br>x4<br>M6x40 | <b>A2</b> | <br>x4<br>M6x50 | <b>A3</b> | <br>x4<br>17 mm |
|-----------|--|-----------|--|-----------|--|

|           |   |
|-----------|---|
| <b>A4</b> | <br>x1<br>4 mm |
|-----------|---|

|           |   |    |
|-----------|---|----|
| <b>A5</b> | <br>x1<br>A18<br>x1<br>x2 | x1 |
|-----------|---|----|



| Teil Nr.<br>Pieces Nr.<br>Pièces Nr.<br>Stukken Nr.<br>Pezzi Nr.<br>часть ном<br>Detaili Nr. | Anzahl<br>Quantity<br>Quantité<br>Hoeveelheid<br>Quantità<br>количество<br>Kogus | Kasten Nr.<br>Colli Nr.<br>Colli Nr.<br>Colli Nr.<br>коробка ном<br>Paki Nr. | Maß, mm<br>Dimensions, mm<br>Dimensions, mm<br>Afmetingen, mm<br>Dimensioni, mm<br>размеры, mm<br>Mõõtmed, mm |  |
|--|--|--|---|--|
| A  | 1  | 1  | 902 x 350 x 60  |  |
| B  | 1  | 1  | 1591 x 361 x 25   |  |
| C  | 1  | 1  | 448 x 361 x 25  |  |
| D  | 2  | 1  | 680 x 40 x 20   |  |



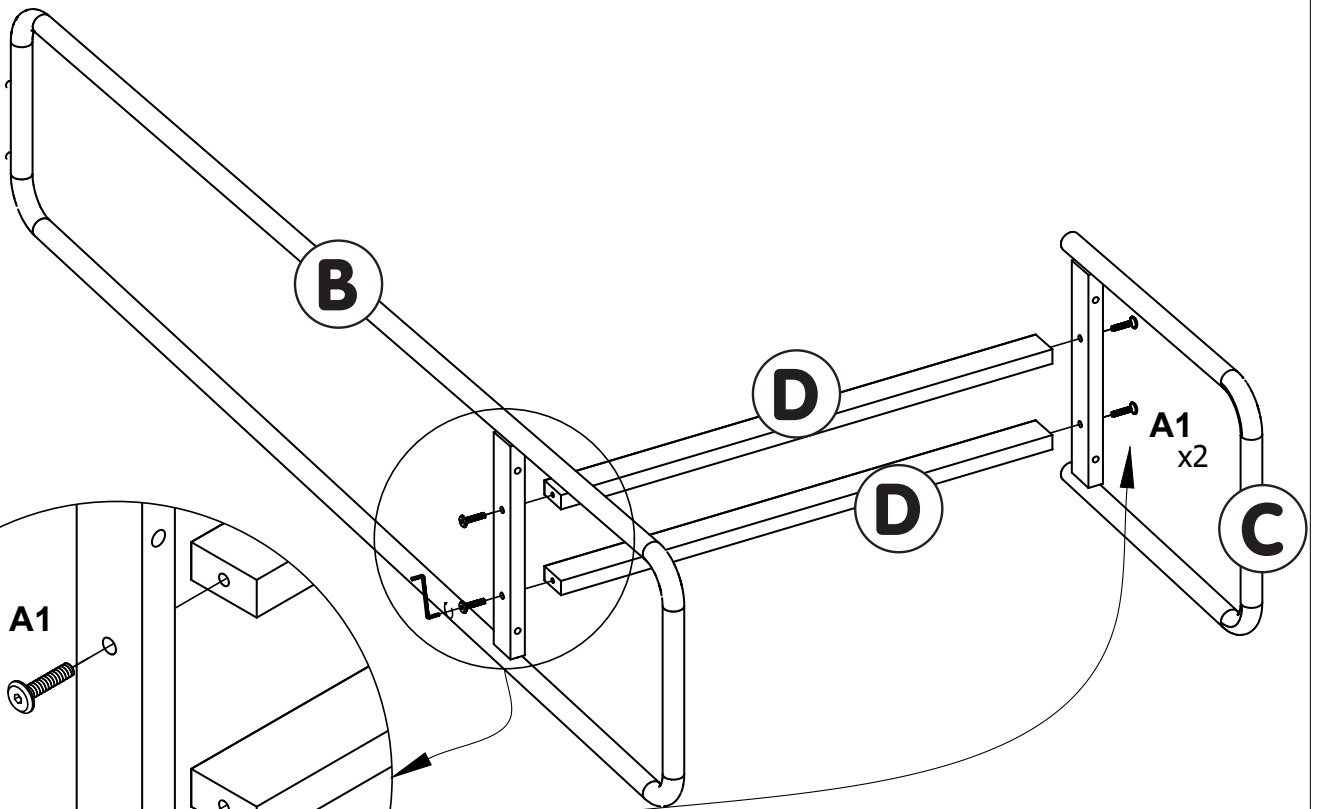
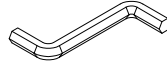
1

A1



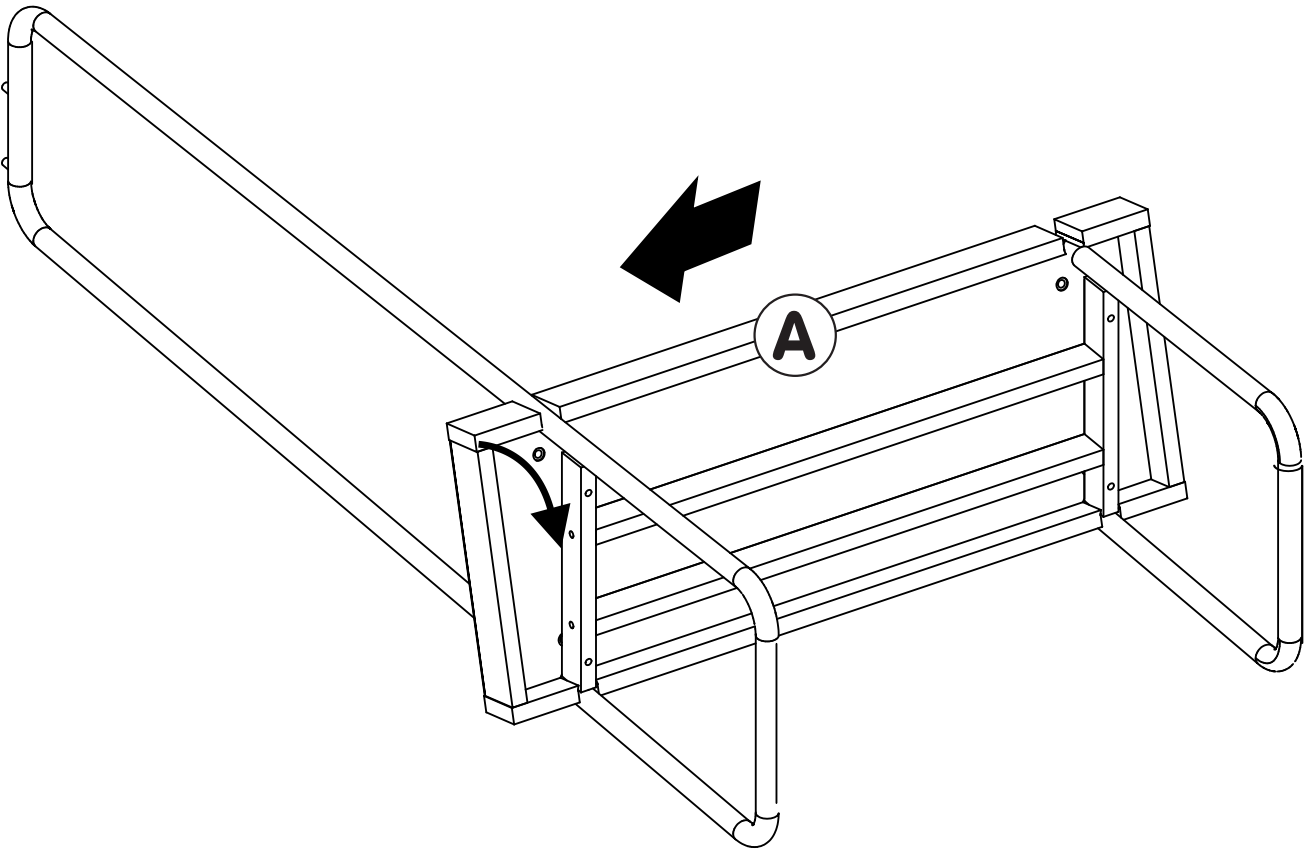
x4  
M6x40

A4

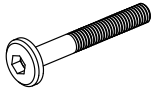


A1  
x2

2



**A2**



x4  
M6x50

**A3**

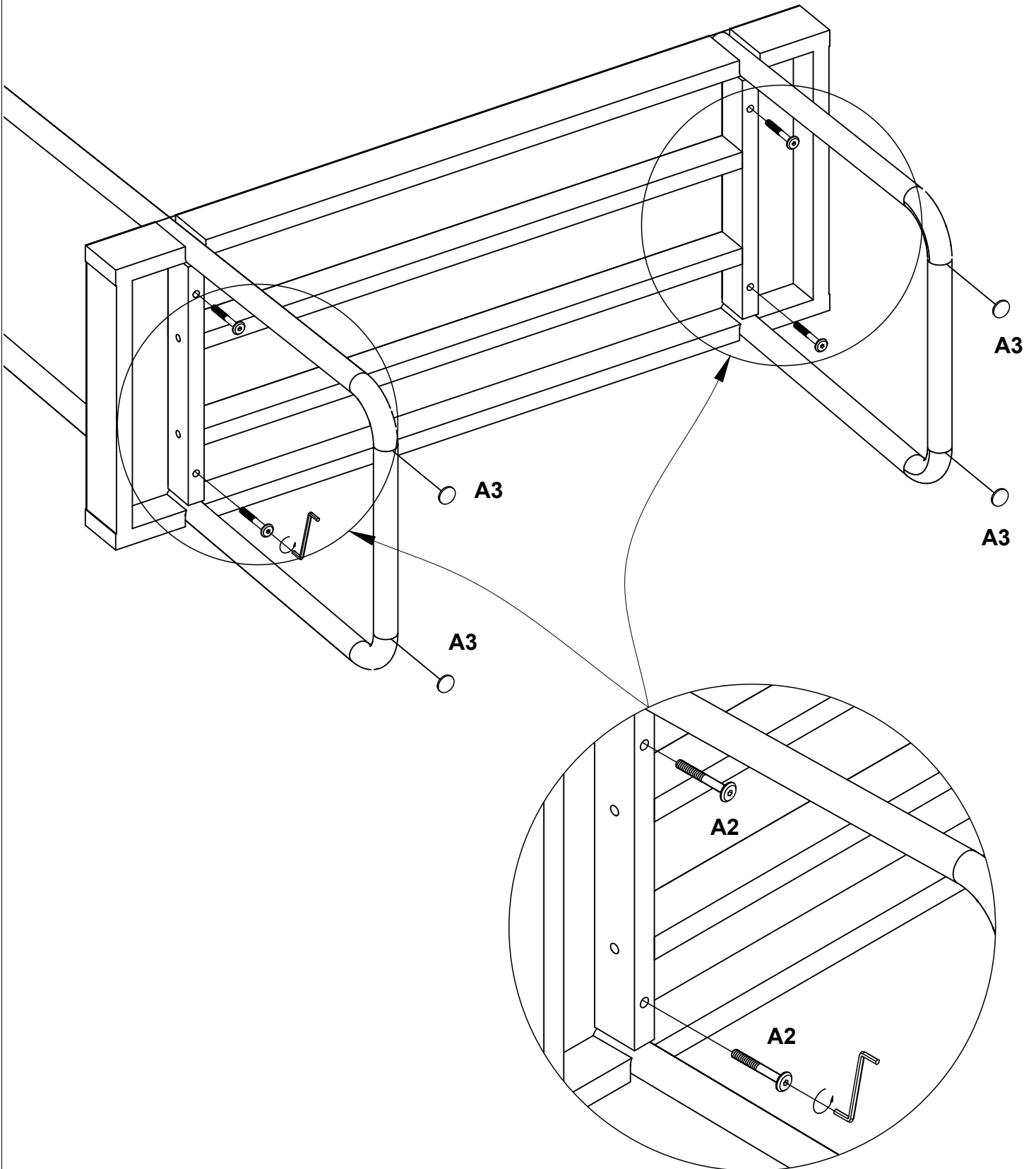


x4  
17 mm

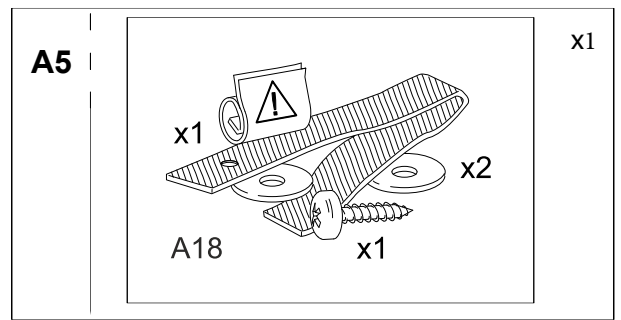
**A4**



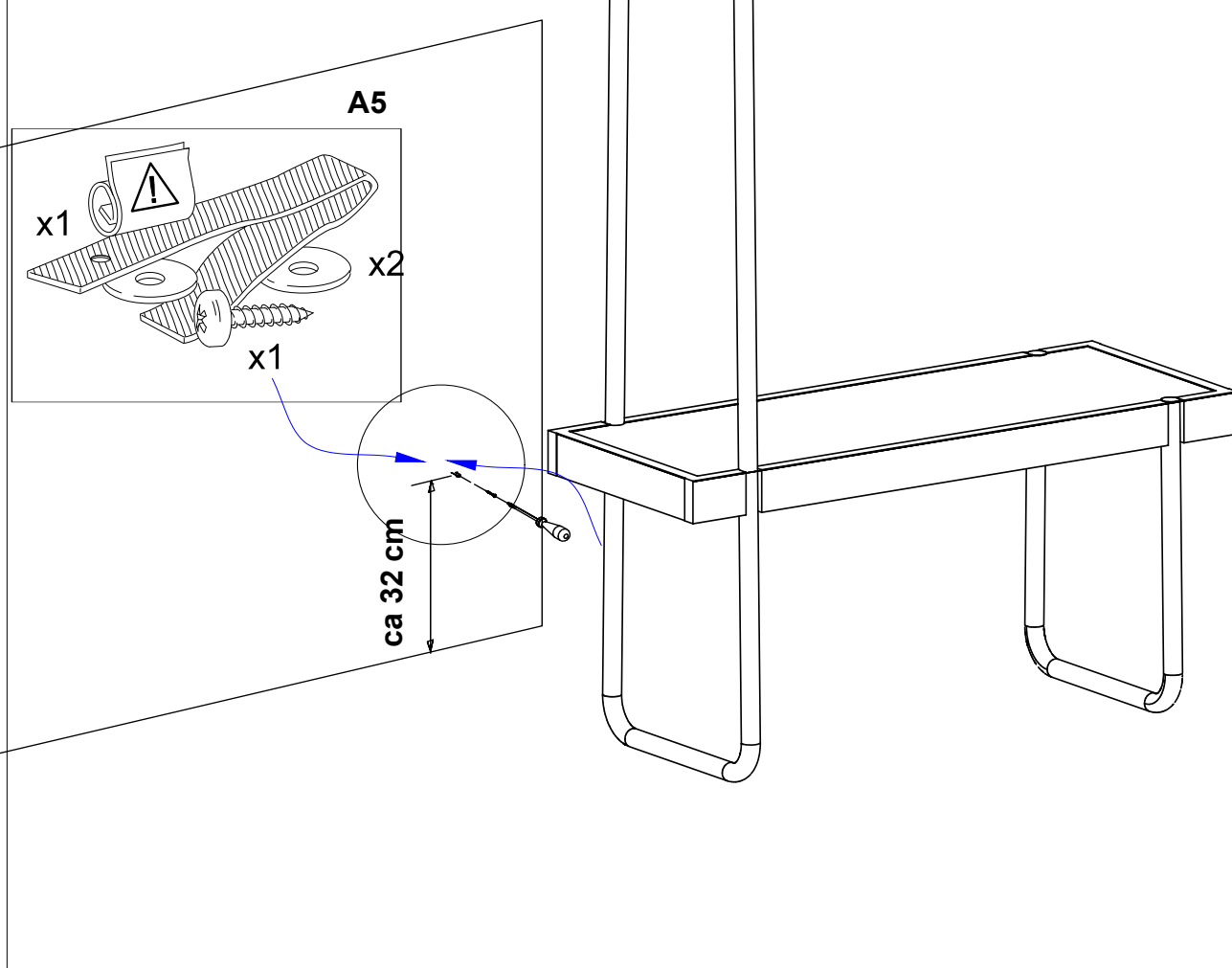
**3**



| <p style="text-align: center;"> <span style="border: 1px solid black; padding: 2px;">!</span> <b>Achtung • Attention • Attenzione</b><br/> <b>Opgelet • Uwaga • Pozor • Figyelem</b><br/> <b>Atenție • Dikkat • Внимание</b> <span style="border: 1px solid black; padding: 2px;">!</span> </p> |   |
|---|---|
| (D)   | Wandbefestigung dient als Kippschutz – unbedingt anbringen! Bei einigen Wandtypen kann ein Spezialdübel erforderlich sein!  |
| (GB)  | The wall fastening serves to prevent tipping – be absolutely sure to mount it! For certain wall types, a special wall plug may be necessary!                                    |
| (FR)  | La fixation murale sert de protection contre le basculement – à installer impérativement ! Pour certains types de murs il faut des chevilles spéciales !                        |
| (IT)  | Il fissaggio alla parete serve da protezione anti-ribaltamento – attaccarla assolutamente! Per alcune strutture di parete può essere necessario un tassello speciale!           |
| (NL)  | Bevestiging aan de muur dient als kantelbescherming – zeker en vast bevestigen! Bij enkele muurtypes is een speciale plug misschien vereist!                                    |
| (PL)  | Mocowanie do ściany jest jednocześnie zabezpieczeniem przed przewróceniem – koniecznie zamontować! Do niektórych rodzajów ścian koniecznie zastosować specjalne kołki mocujące. |
| (CZ)  | Montáž na stěnu slouží jako ochrana proti převrnutí – bezpodmienečně umístěte! U některých typů stěn může být zapotřebí speciální hmoždinka!                                    |
| (SK)  | Upevnenie na stenu slúži ako ochrana proti prevráteniu – bezpodmienečne použite! Pre niektoré druhy stien môže byť potrebná špeciálna hmoždinka!                                |
| (HU)  | A terméket a falhoz kel rögzíténi, különben az felborulhat! Egyes fal típusoknál speciális tiplit kell használni!   |
| (RO)  | Sistemul de fixare la perete servește ca protecție la răsturnare – de montat obligatoriu! Pentru unele tipuri de pereți este posibil să fie necesar un diblu special!           |
| (TR)  | Duvardaki sabitleme, devrilmeye karşı bir emniyet tedbiridir ve mutlaka monte edilmelidir! Bazı duvar tiplerinde bunun için özel bir dübel gerekli olabilir!                    |
| (RU)  | Обязательно установите крепление на стене во избежание опрокидывания! Для некоторых типов стен может потребоваться специальный дюбель!  |



4





# A Guide to - Wall Mounting & Fixings

## Important note:

If plastic wall plugs are supplied with your product:



- these are only suitable for use in masonry walls.

If you are in any doubt about the correct wall plugs for your wall, seek professional advice.


Failure of the product due to using incorrect fixings is the responsibility of the installer.



**Important:** When drilling into walls always check that there are no hidden wires or pipes etc.

Make sure that the screws and wall plugs being used are suitable for supporting your unit. Consult a qualified tradesperson if you are unsure.

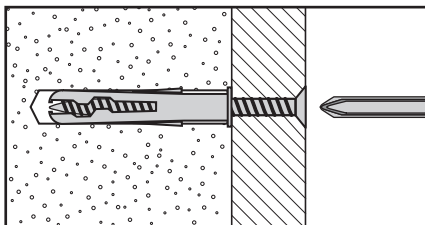
## Hints:

- 1: General rule:**  Always use a larger screw and wall plug if you are not sure.
- 2:** Ensure you use the recommended drill bit to match the wall plug and hole size.
- 3:** Ensure you drill the hole horizontally, do not force the drill or enlarge the hole.
- 4:** Take extra care when drilling high walls, ceilings and ceramic tiles. Ensure wall plugs are inserted beyond the thickness of the ceramic tiles to avoid the tiles splitting or cracking.
- 5:** Ensure wall plugs are well fitted and are a tight fit in the drilled hole.

## Types of walls

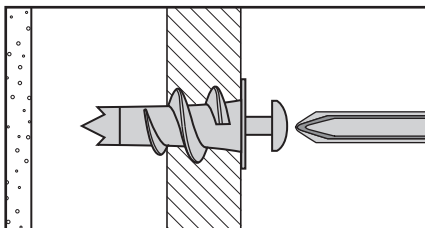
You can use one of the following types of wall plug if your walls are made of brick, breeze block, concrete, stone or wood.

### No.1 "General Purpose" wall plug



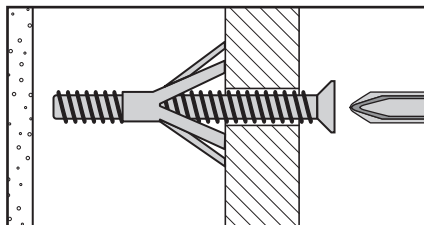
Generally aerated blocks should not be used to support heavy loads, use a specialist fitting in this case. For light loads, general purpose wall plugs can be used.

### No.2 "Plasterboard" wall plug



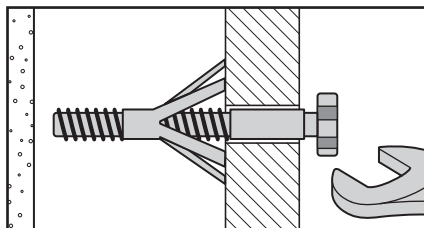
For use when attaching light loads on to plasterboard partitions.

### No.3 "Cavity Fixing" wall plug



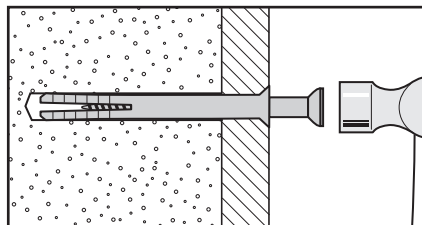
For use with plasterboard partitions or hollow wooden doors.

### No.4 "Cavity Fixing-Heavy Duty" wall plug



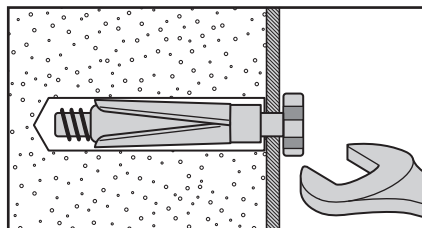
For use when fitting or supporting heavy loads such as shelving, wall cabinets and

### No.5 "Hammer Fixing" wall plug



For use with walls stuck with plasterboard. The hammer fixing allows it to be fixed to the wall rather than the plasterboard. Always check the fixing is secure to the retaining wall.

### No.6 "Shield Anchor" wall plug Heavy loads



For use with heavier loads such as TV & HiFi speakers and satellite dishes etc.



## Care & Maintenance

**Safety:** Always check the fitting and location to ensure your safety in and around the home.

**Fitting:** From time to time check the fitting to ensure the wall plugs or screws do not become loose.