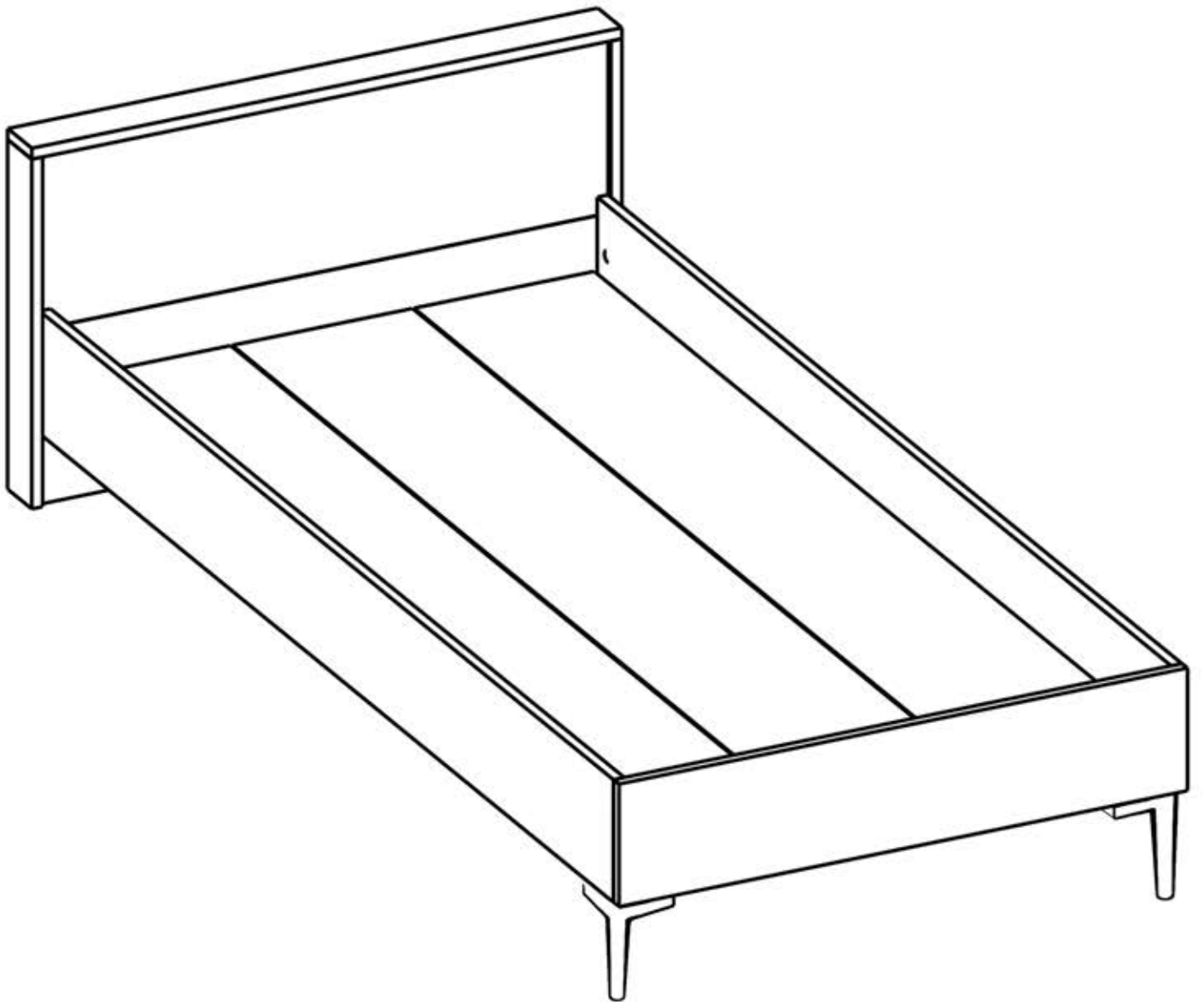











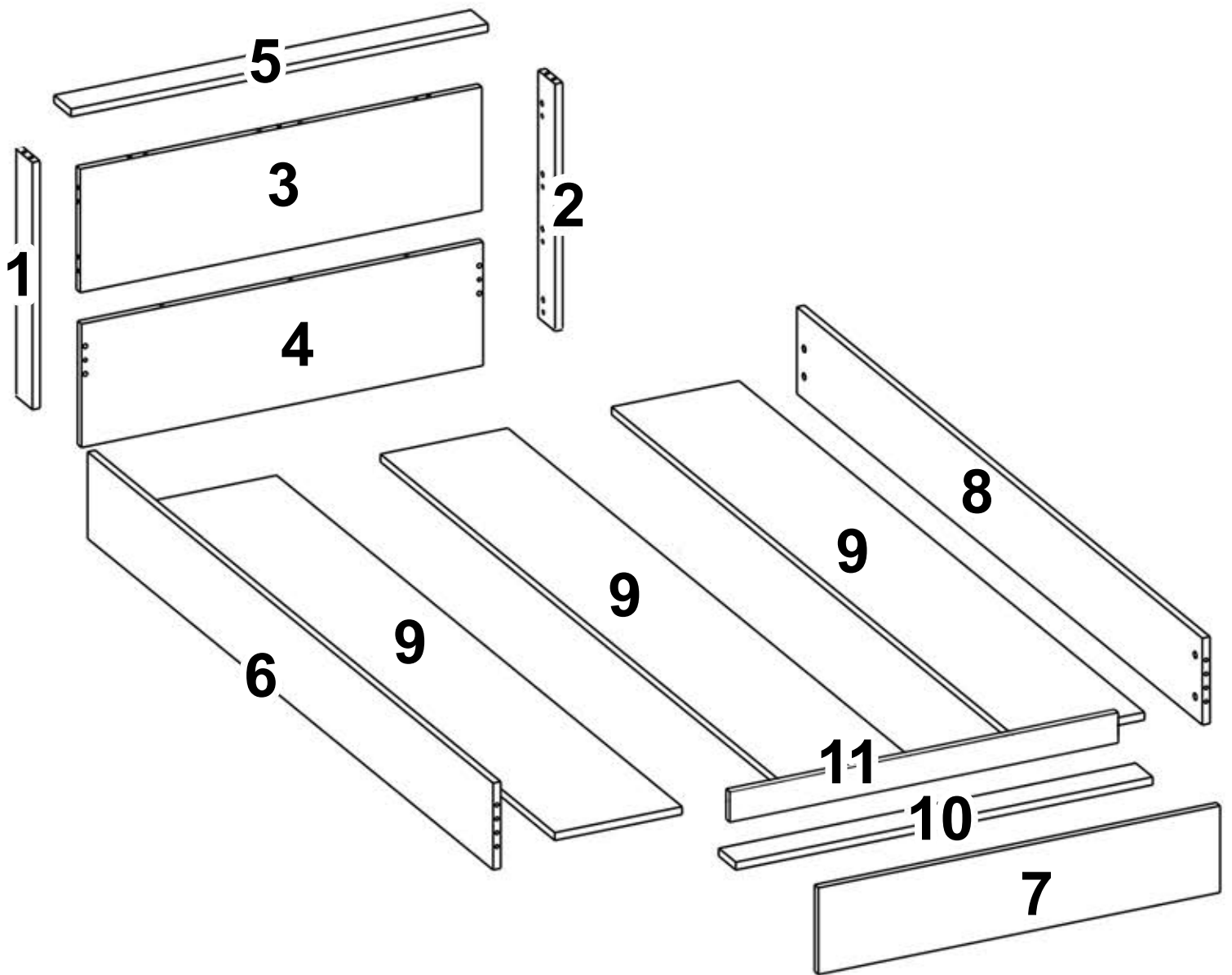
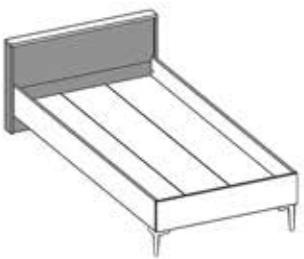


AR5

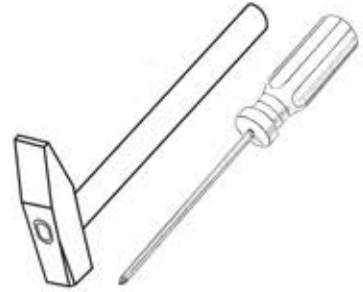


 B0501 x35	 B0502 x28	 B0503 x26	 B0504 x23	 B0303 x4
 B0304 x3	 B0505 x3	 B0309 x12	 D0501 x3	 B0326 x8
 B1004 x2				





B0501 B0502 B0503 B0504 B0505



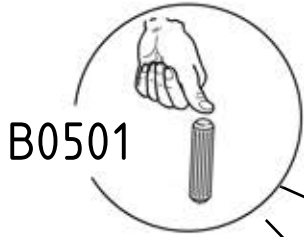
x8

x14

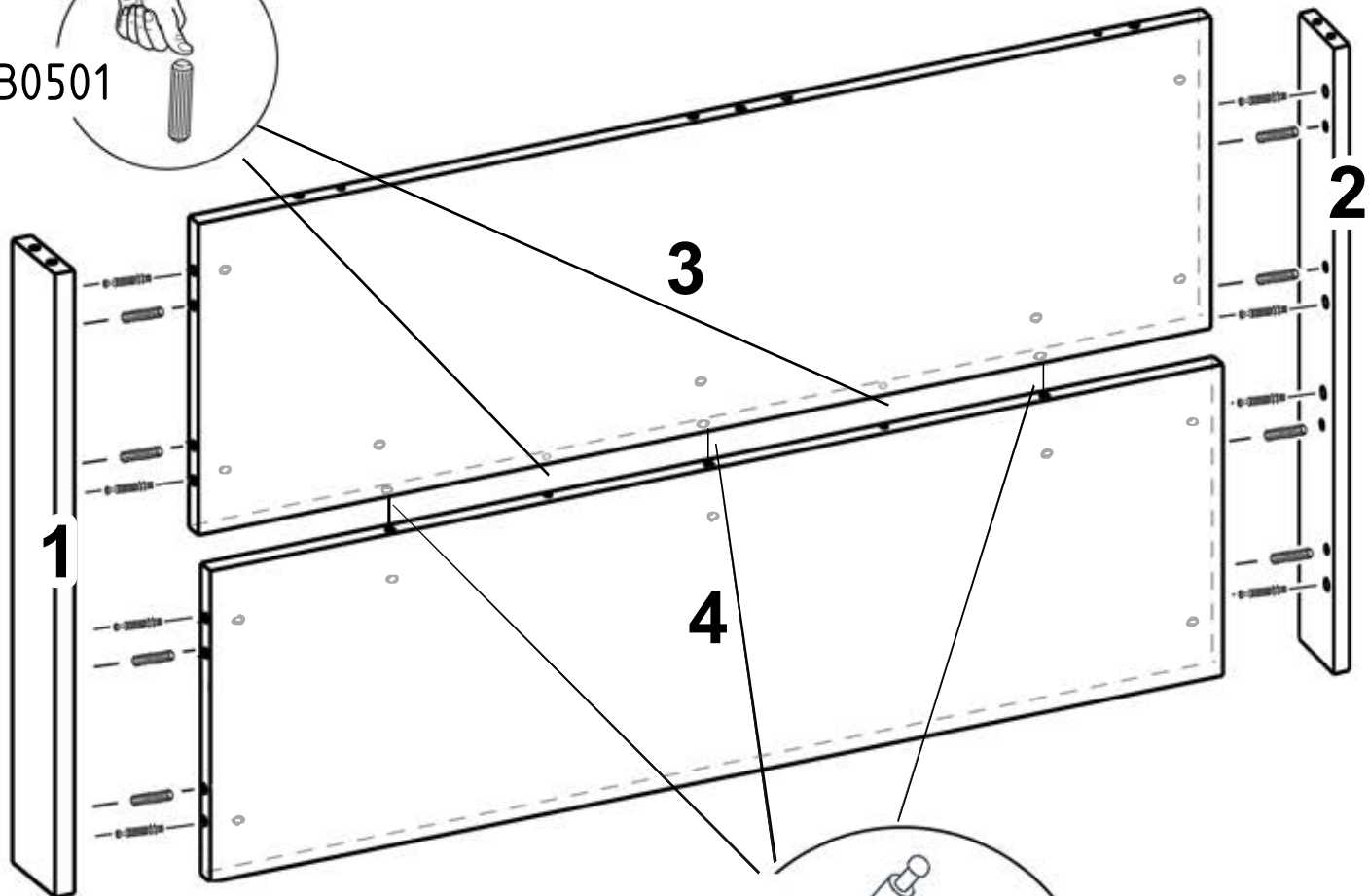
x10

x8

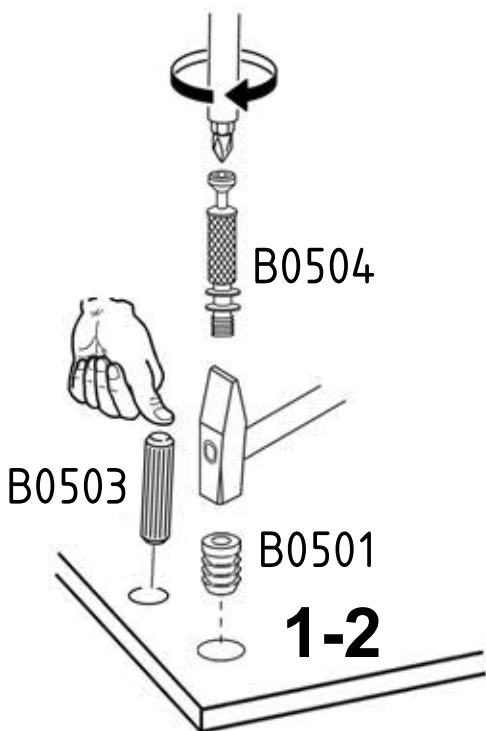
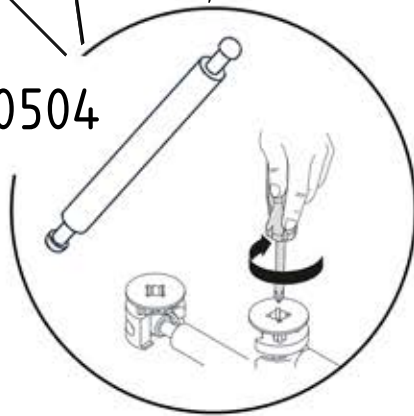
x3



B0501



B0504



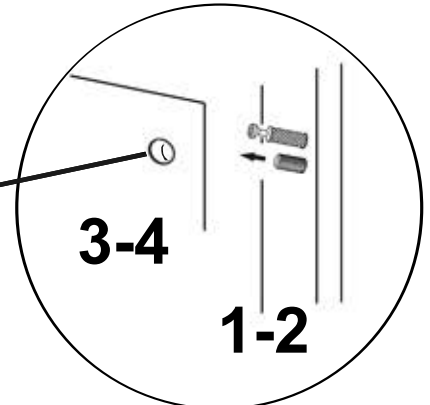
B0504

B0503

B0501

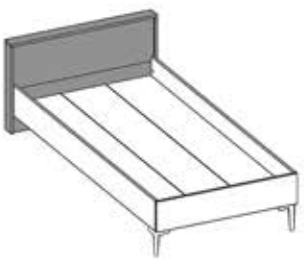
1-2

B0502



3-4

1-2



B0501 B0502 B0503 B0504



x3



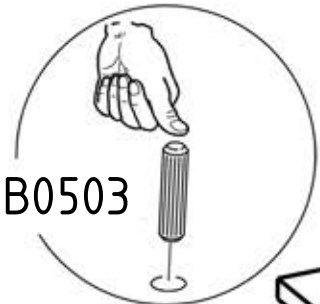
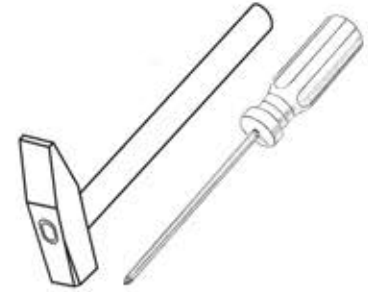
x3



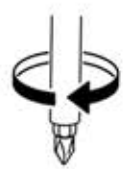
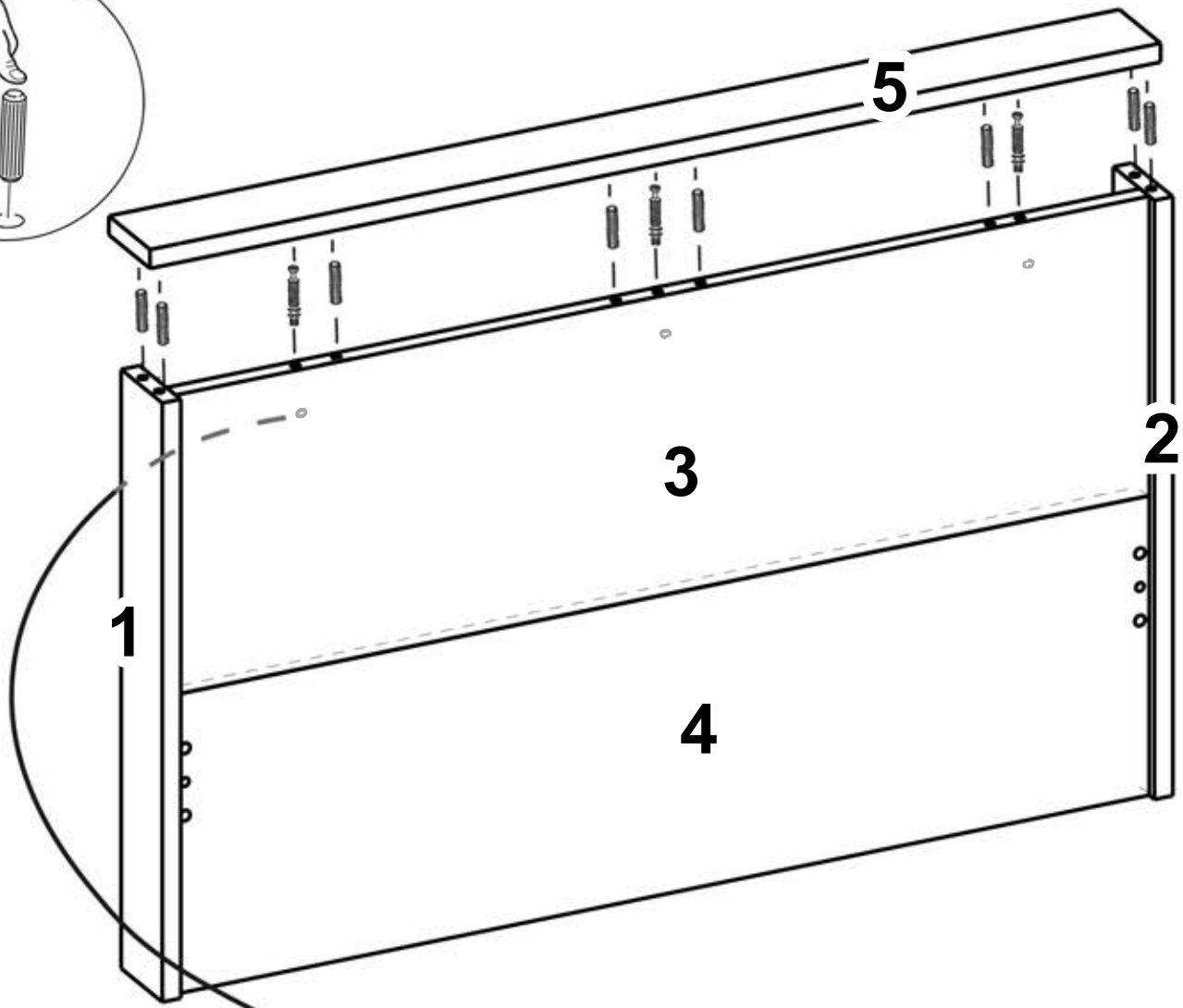
x8



x3



B0503



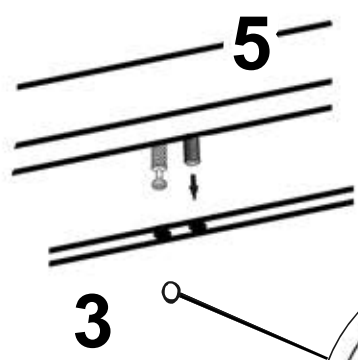
B0504



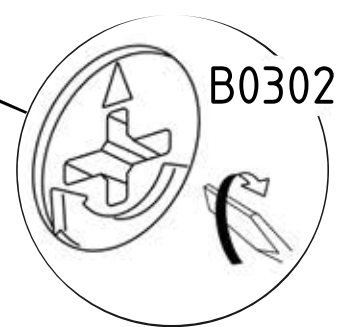
B0501



3



3



B0302

3



B0501 B0502 B0504 B0304



x3



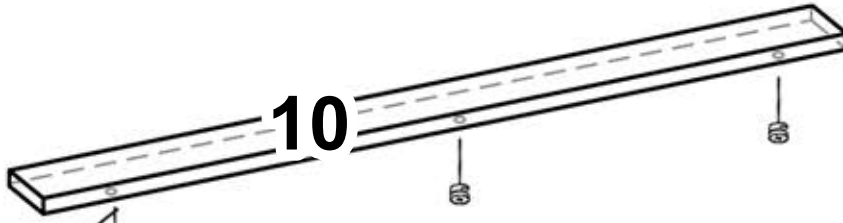
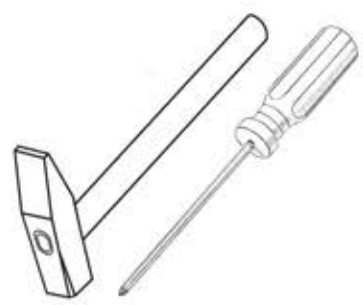
x3



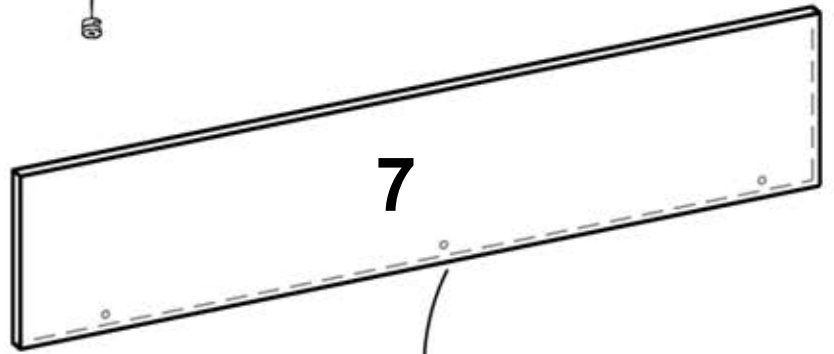
x3



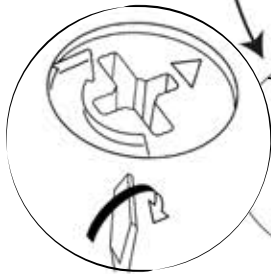
x3



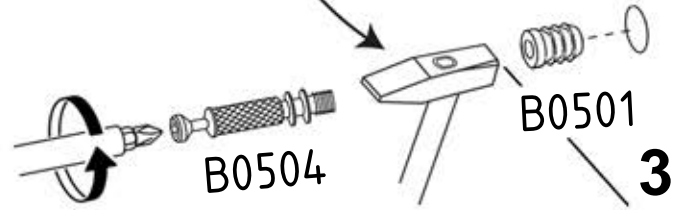
10



7



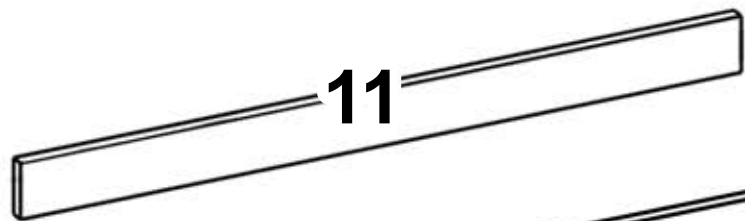
B0502



B0504

B0501

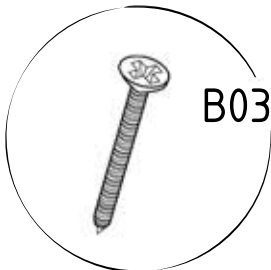
3



11



10



B0304



B0501 B0502 B0503 B0504



x4



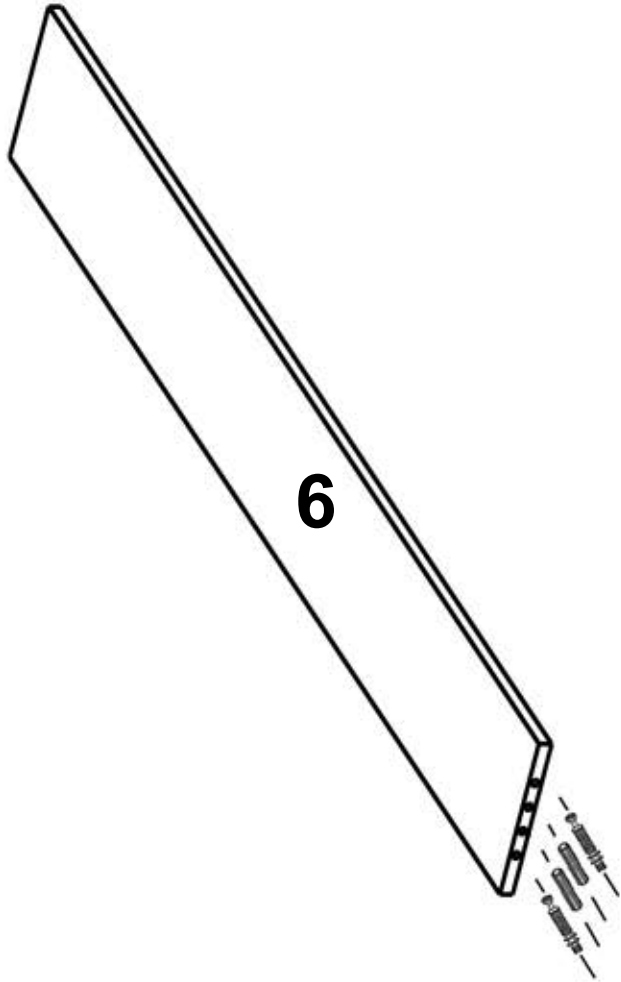
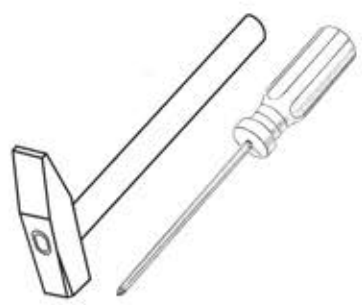
x4



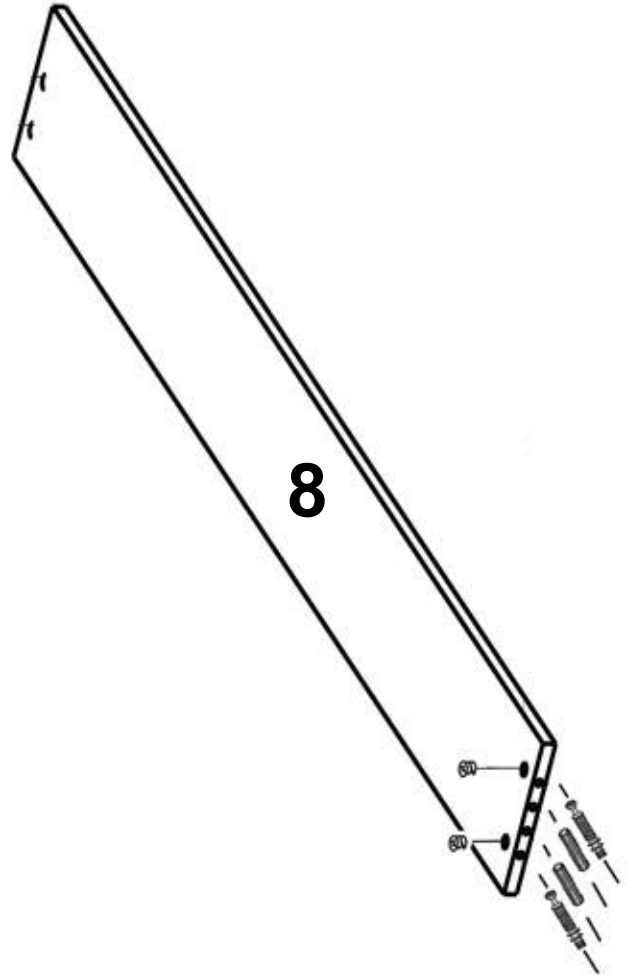
x4



x4



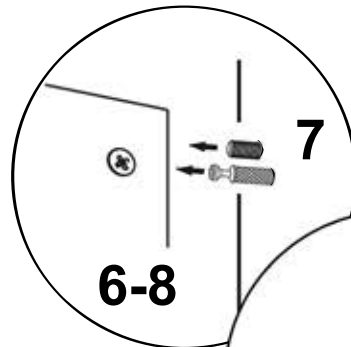
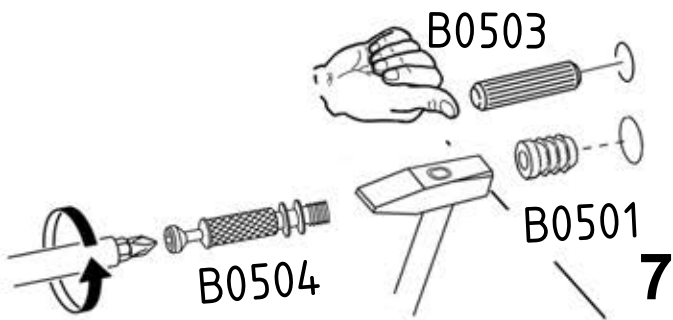
6



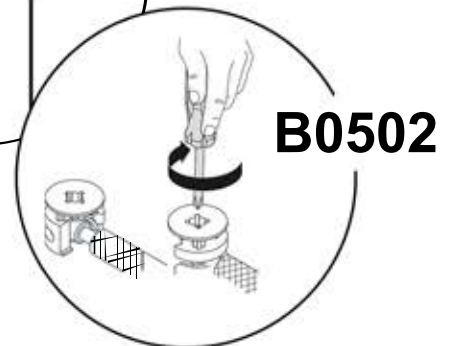
8



7



6-8



B0502

B0501 B0502 B0503 B0504 B0303 B0326



x4



x4



x2



x4



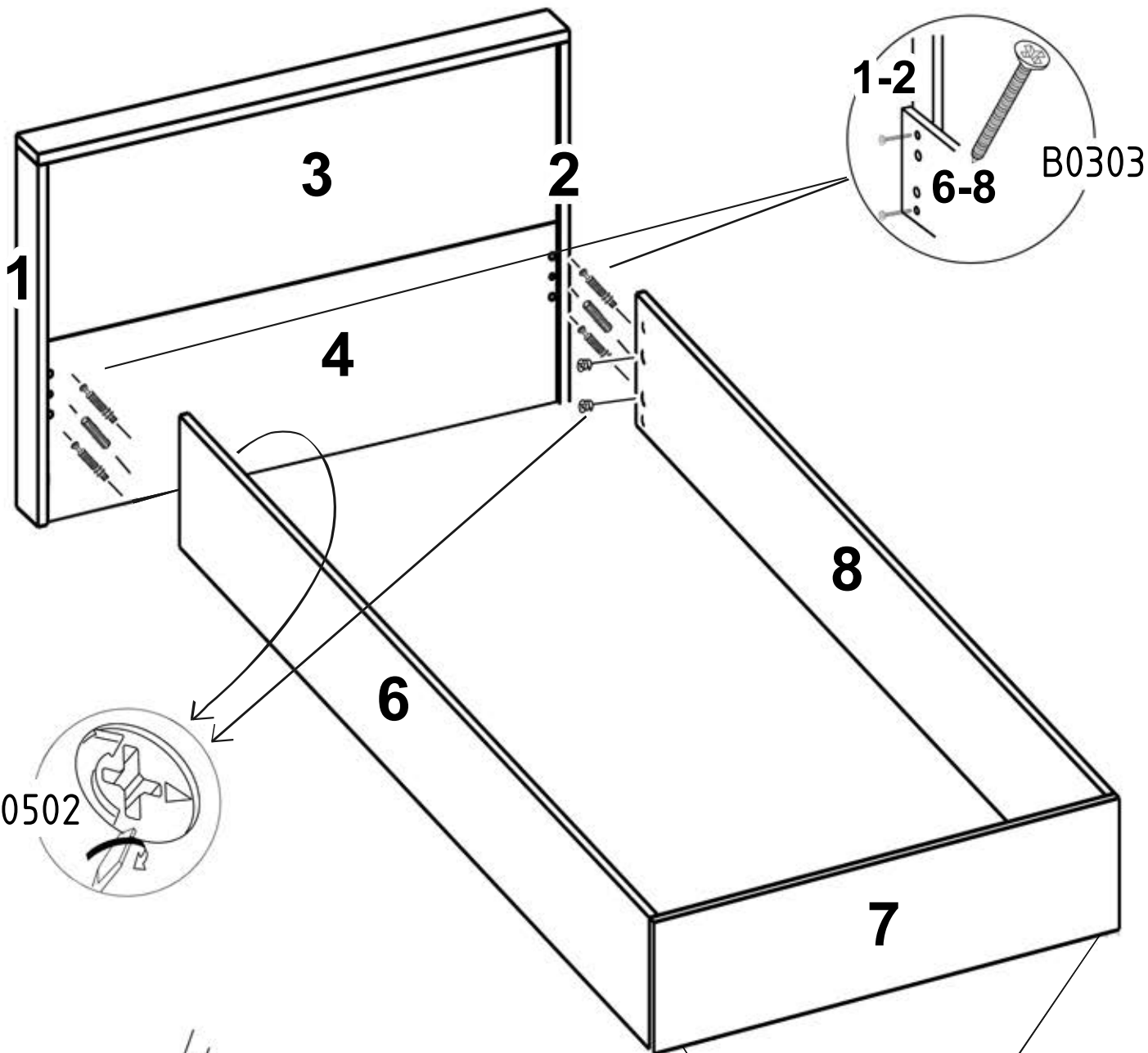
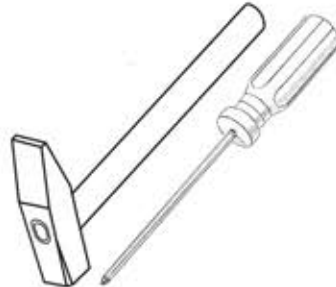
x4



x8



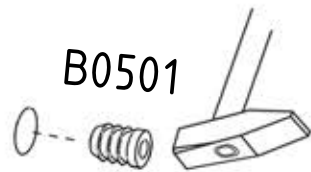
x2



B0502



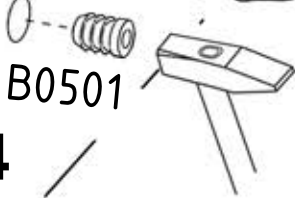
B0501



B0503



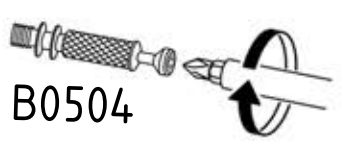
B0501



B0504



B0504



4



B0326

6

B0501 B0309 D0501



x12 x12 x3

