









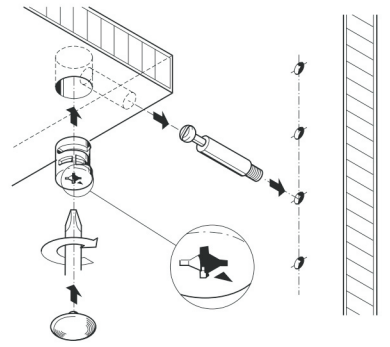


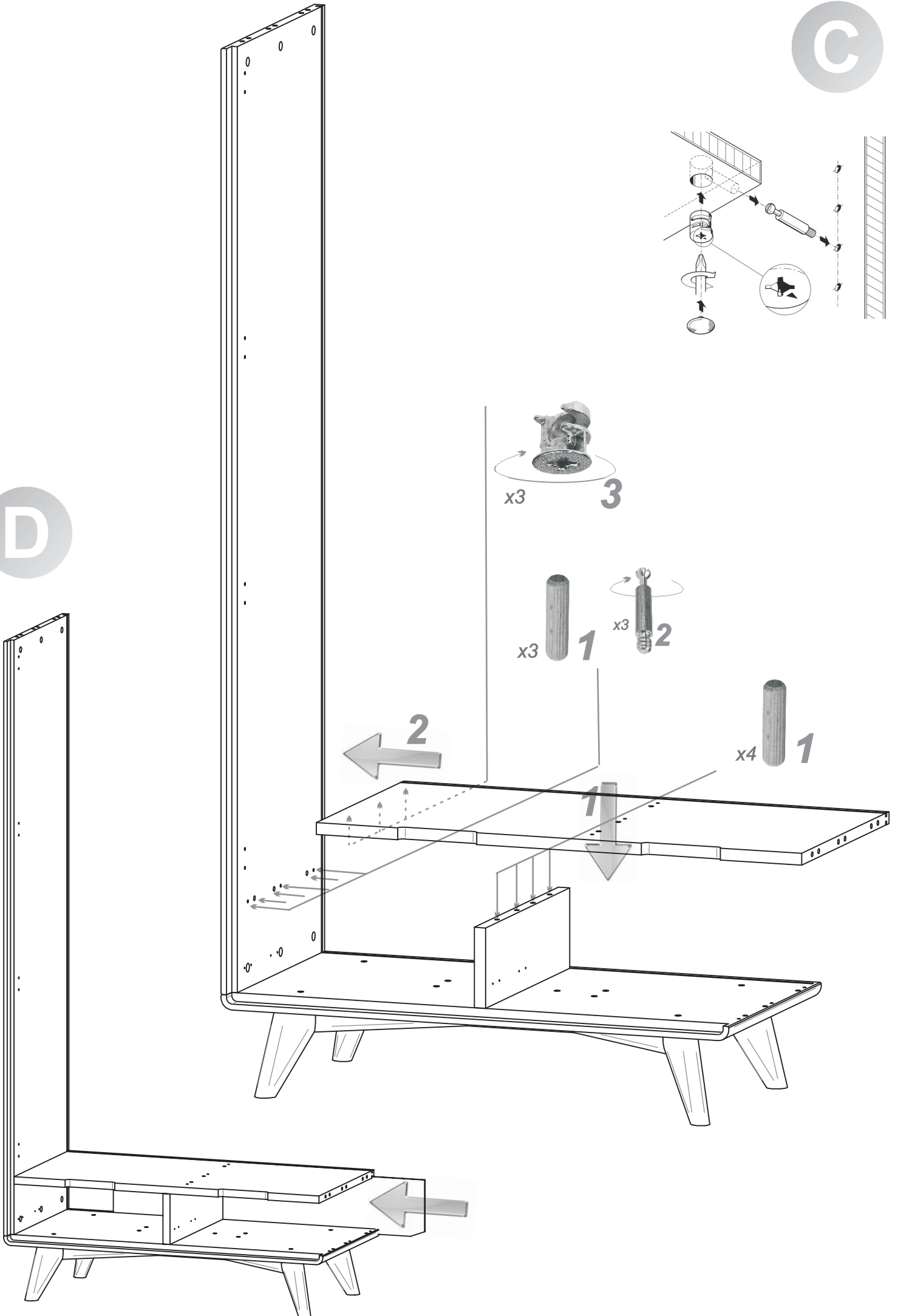
SZF2405 GREG

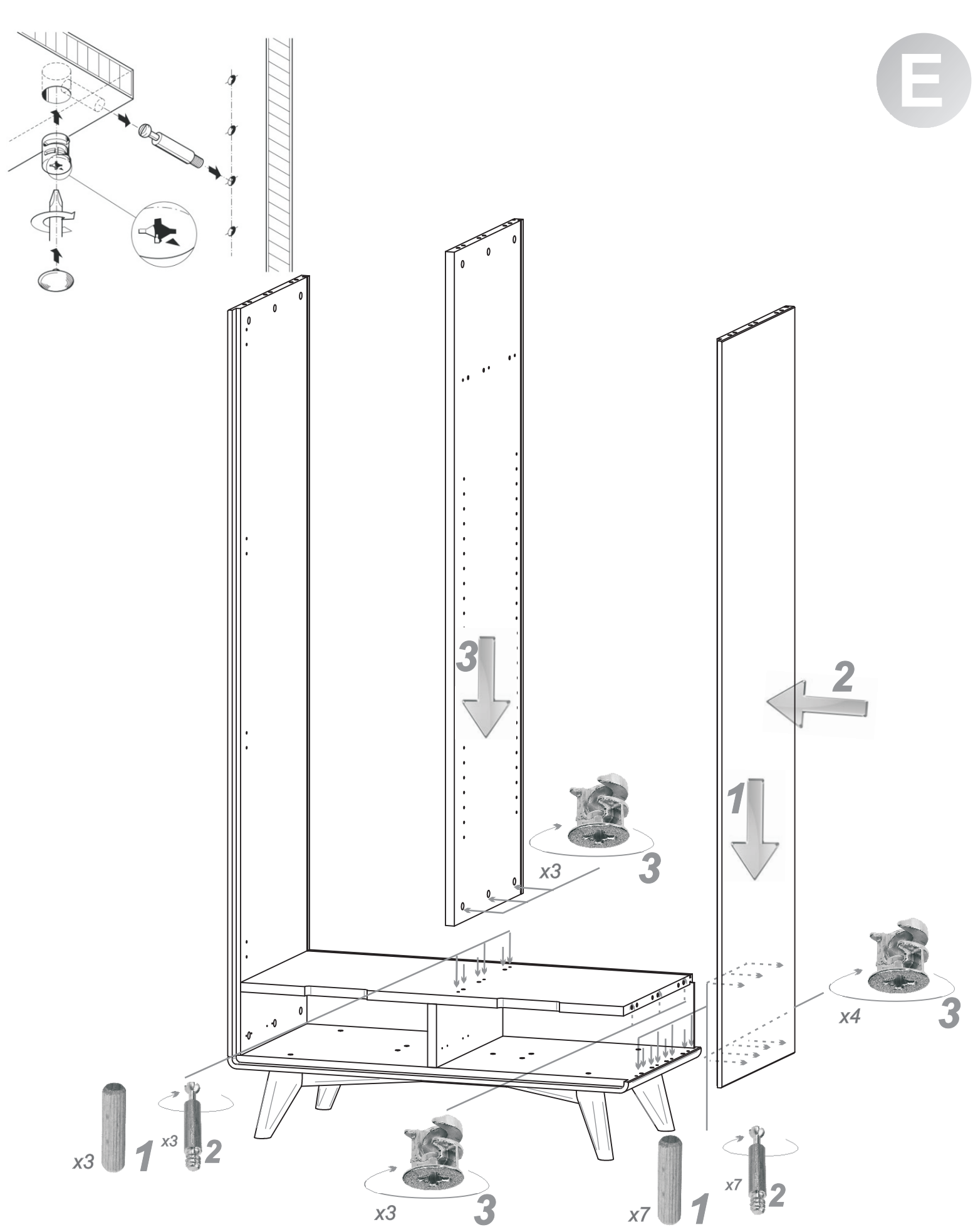
| | | | | | | | |
|---|--|--|--|---|--|--|---|
| 01 Ø8x40  x 42 | 02  x 39 | 03  x 39 | 04  x 12 | 05 Ø4x16  x 32 | 06  x 8 | 07 H-2  x 8 | 08  x 1 |
| 09  x 2 | 10  x 32 | | | | | | |

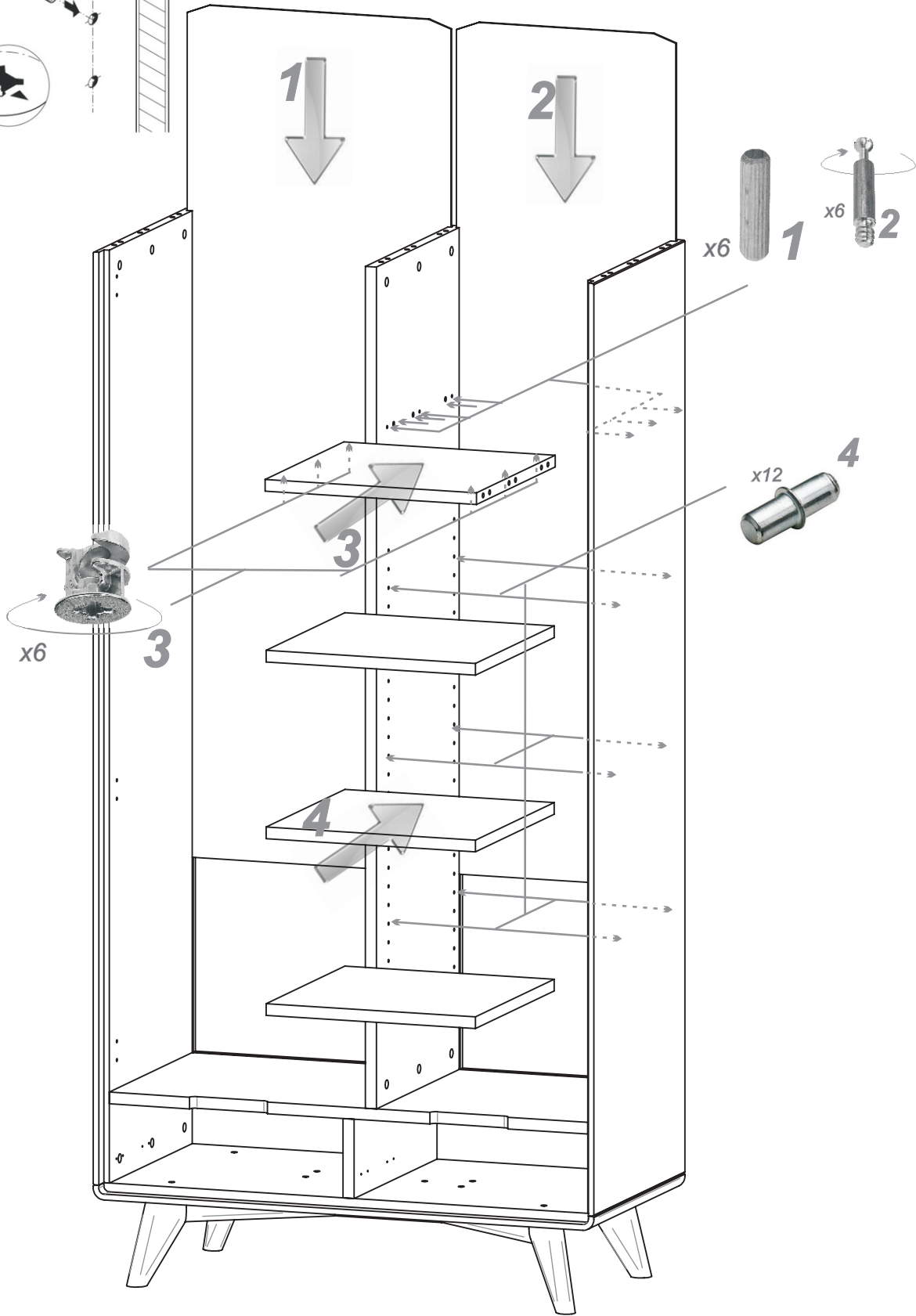
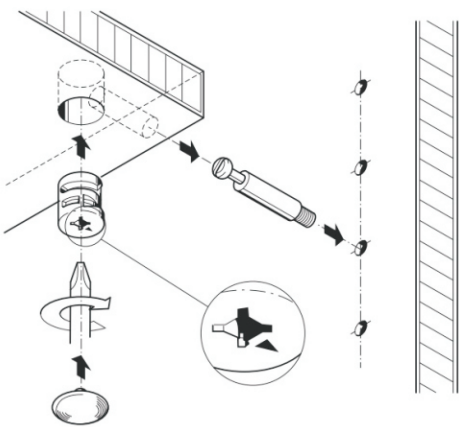
C

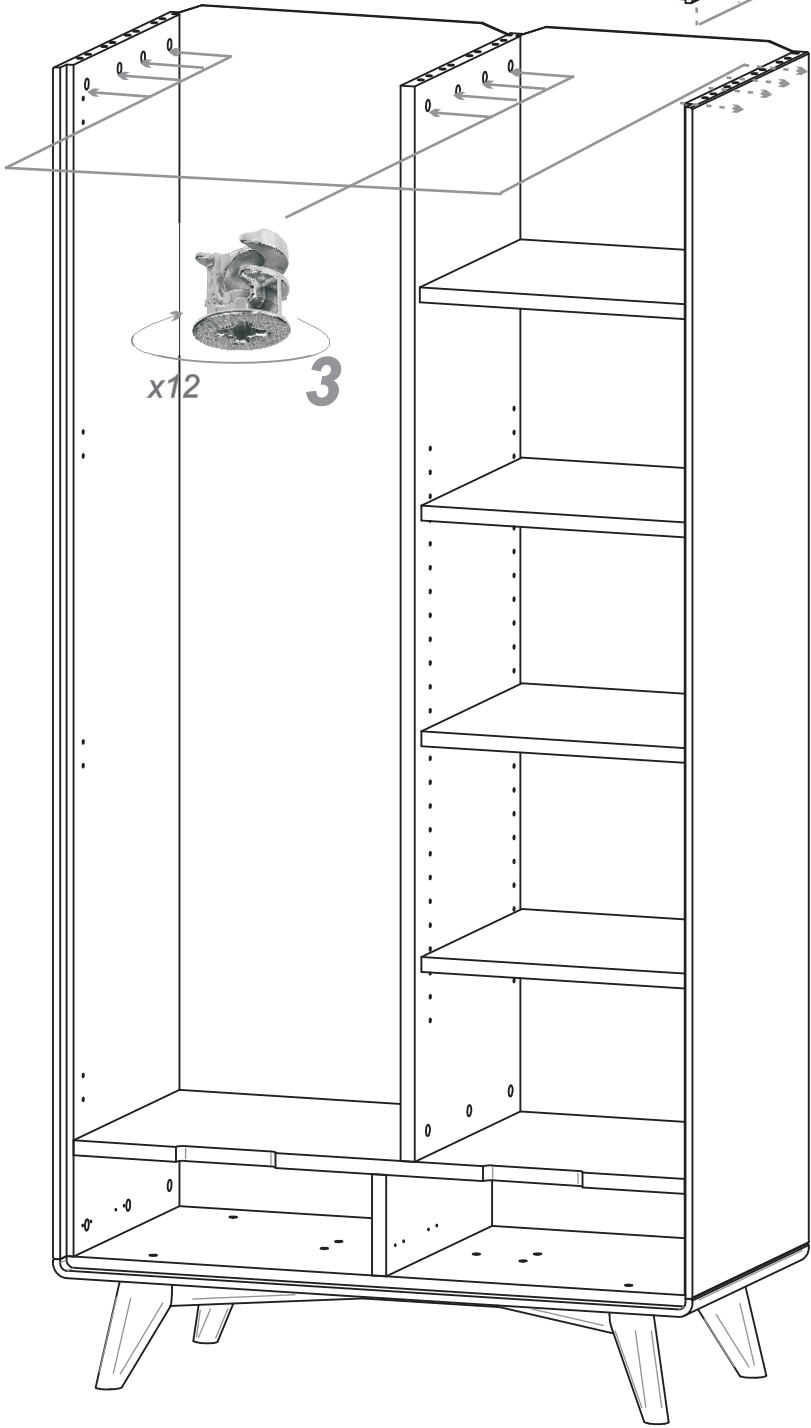
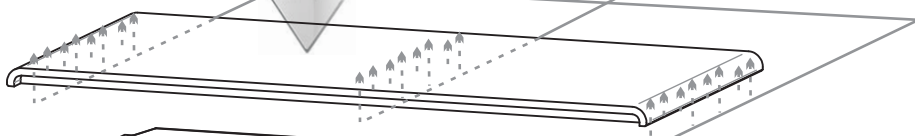
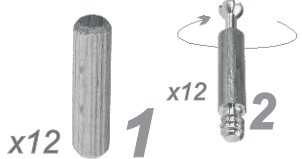
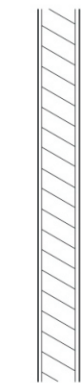
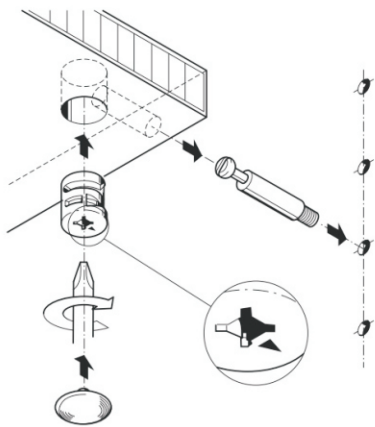


D

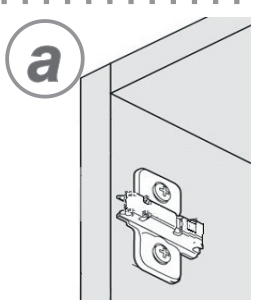
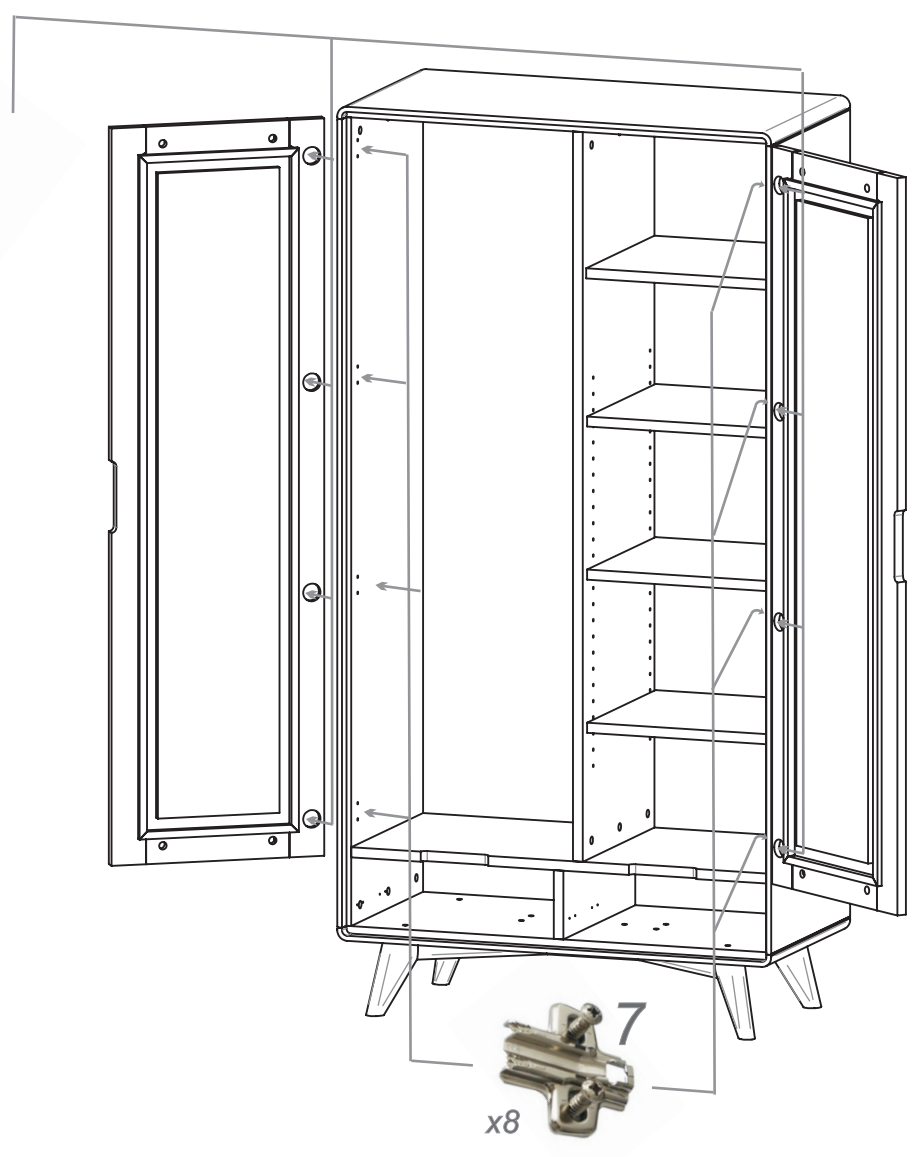
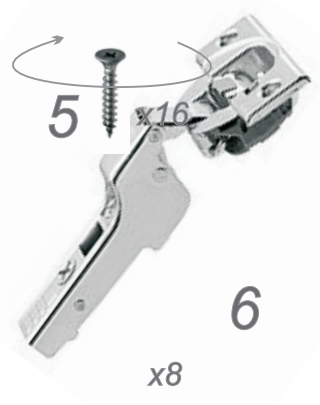




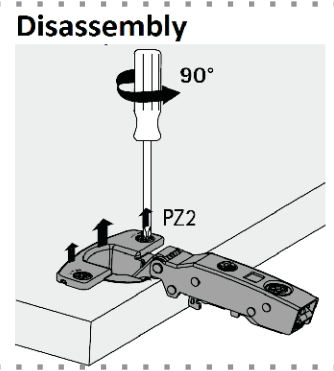
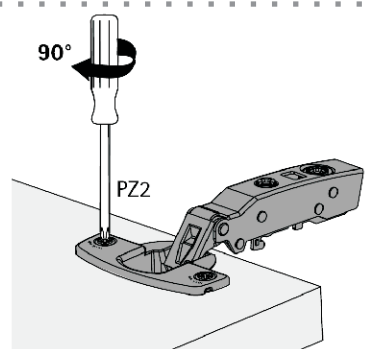
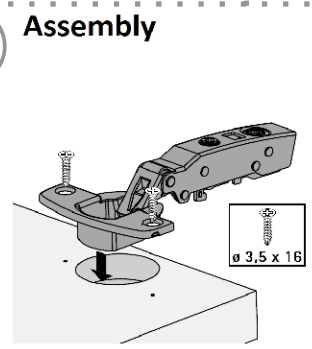




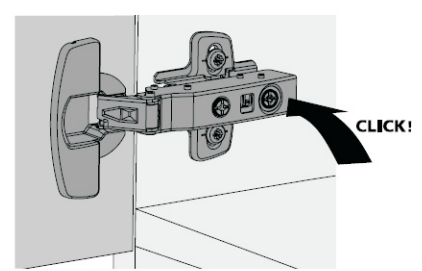
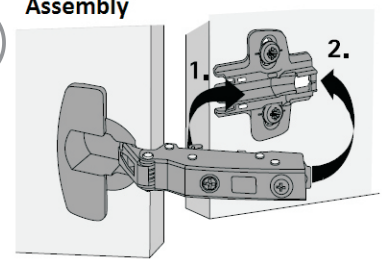
x12 3



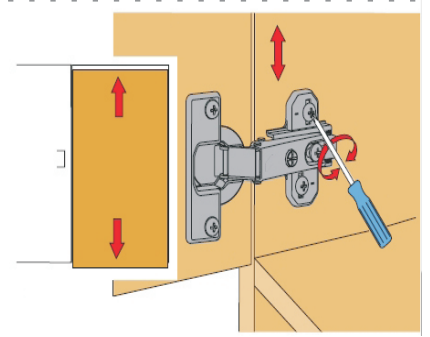
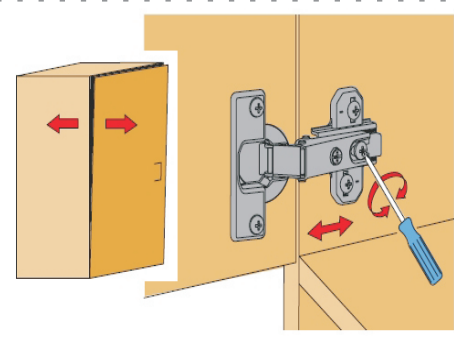
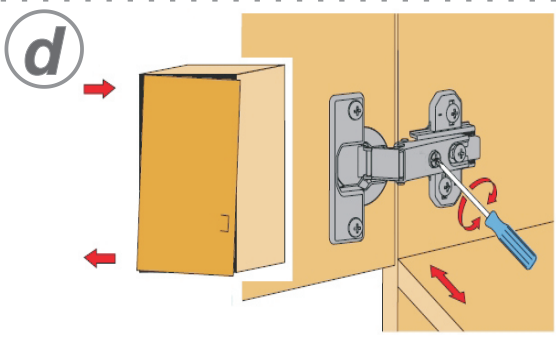
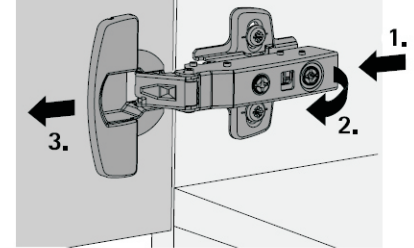
b Assembly

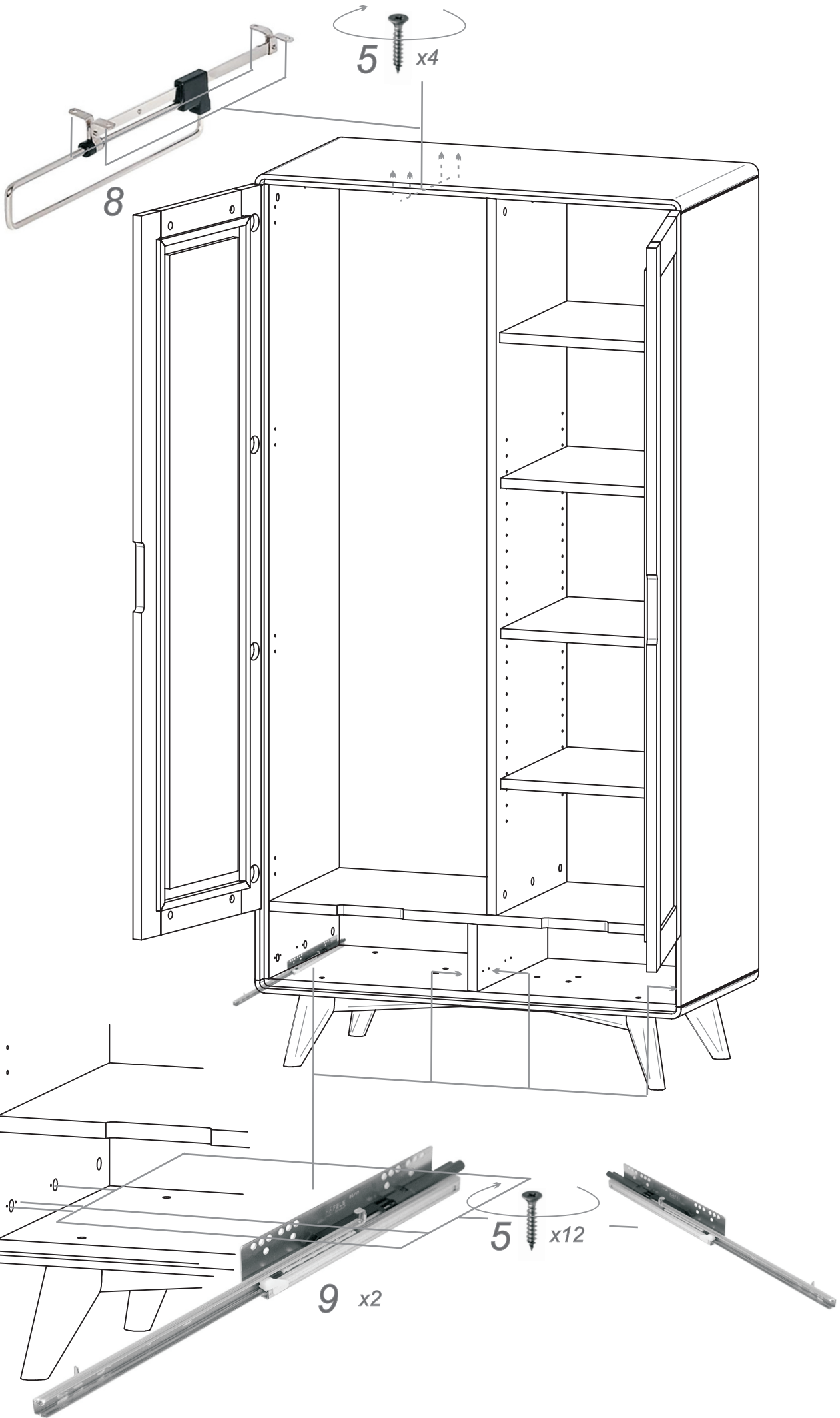


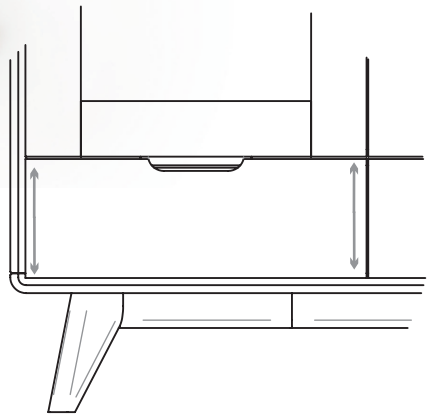
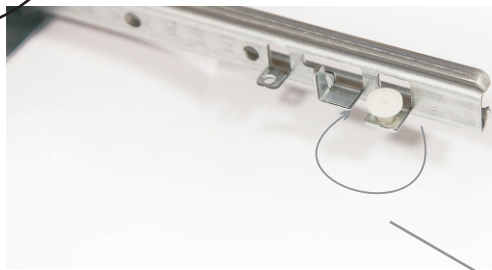
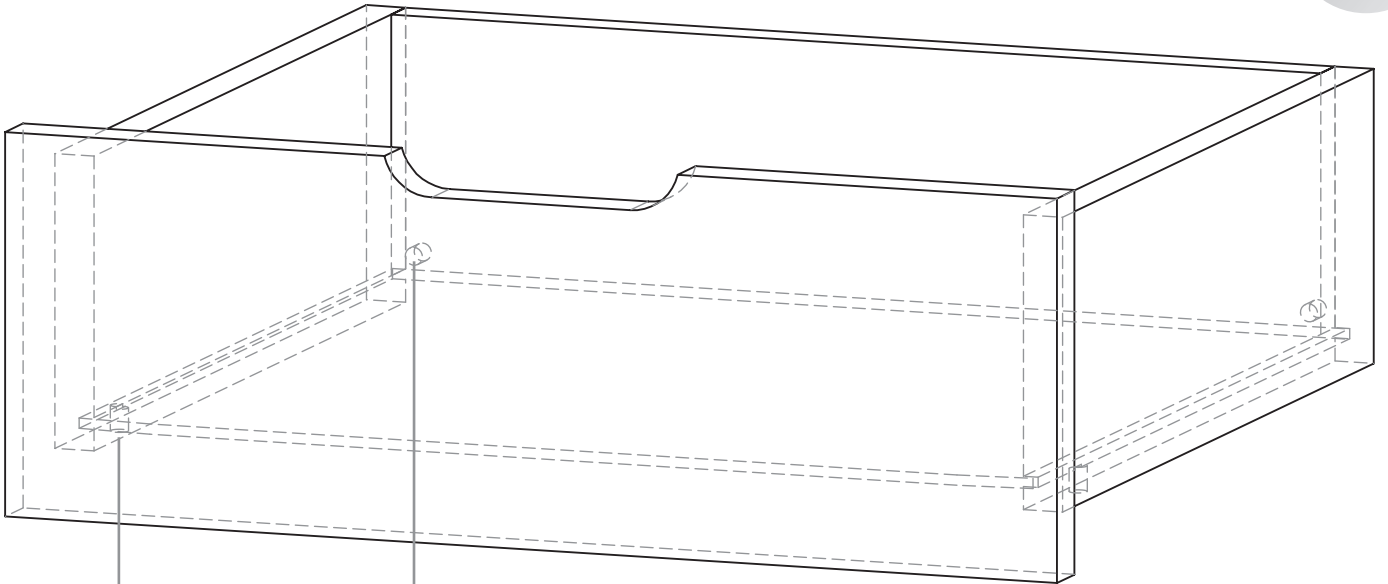
c Assembly

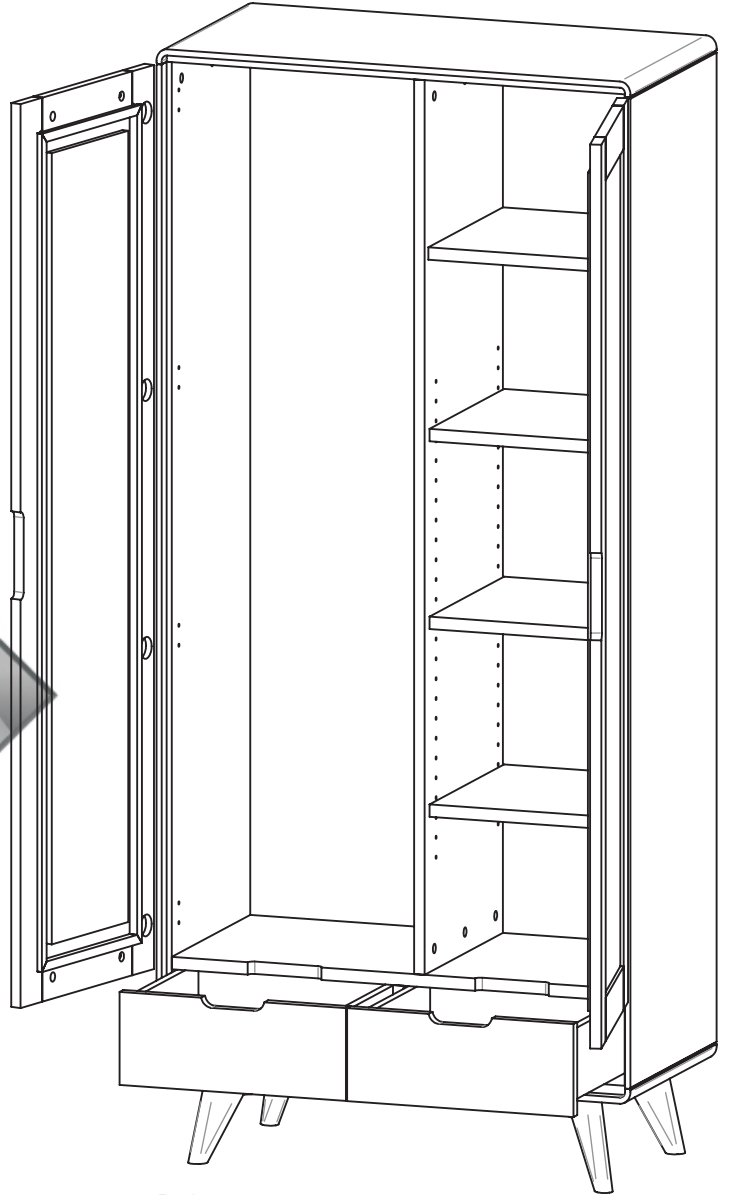
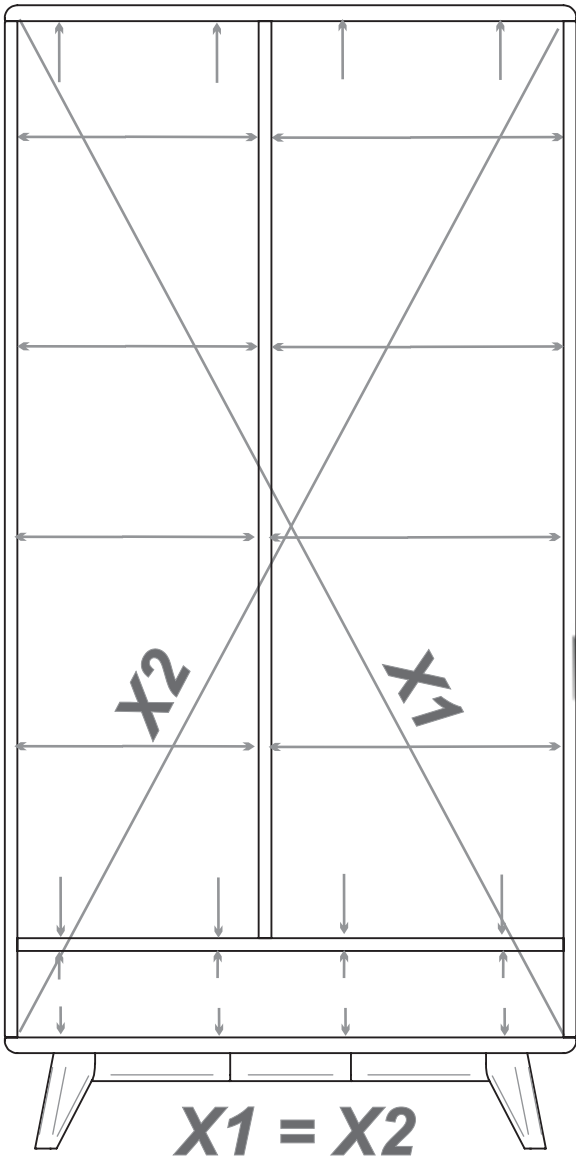


Disassembly









10

