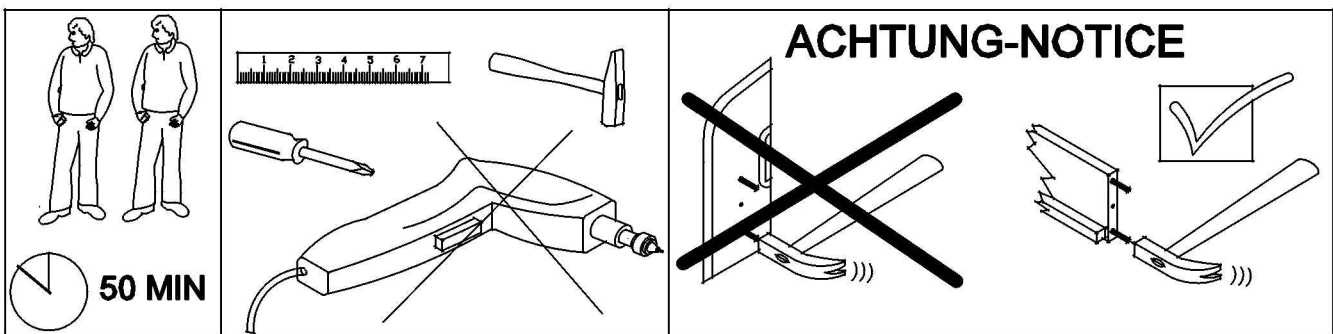
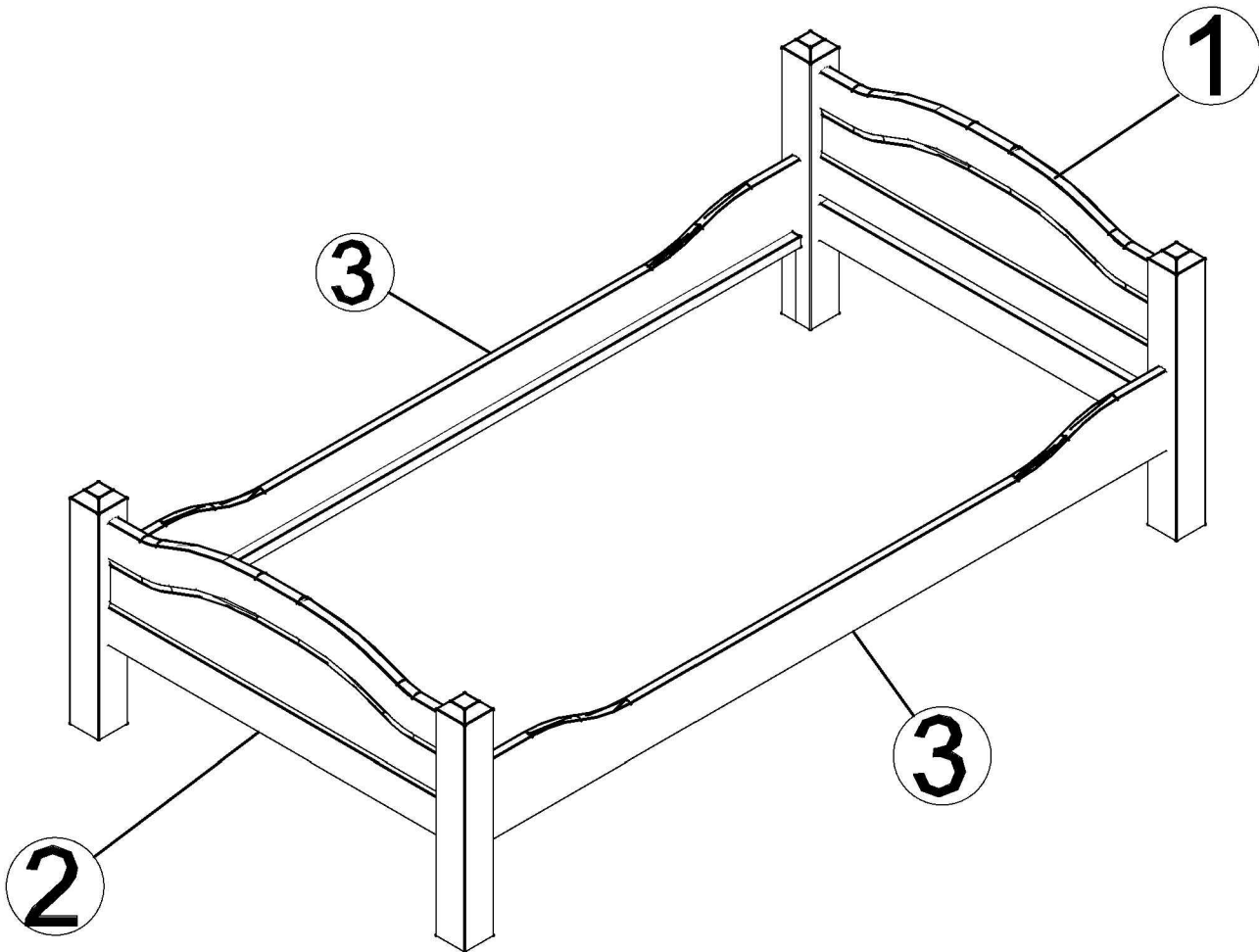



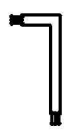



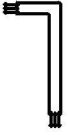


MONTAGEANLEITUNG (90-100)X200



A	B	C	D
M6x120	Ø10x13	Ø10x40	4mm
			
x4	x4	x12	x1

Teil nr.	Menge	Mass L X B X T(MM)
1	1	„90,,1010 X 705 X 78/25 „100,,1110 X 705 X 78/25
2	1	„90,,1010 X 605 X 78/25 „100,,1110 X 605 X 78/25
3	2	1960 X 200 X 20

A	B	C	D
M6x120	Ø10x13	Ø10x40	4mm
			
x4	x4	x12	x1

