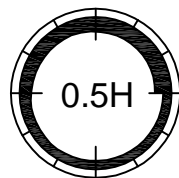
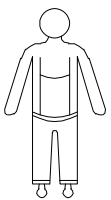
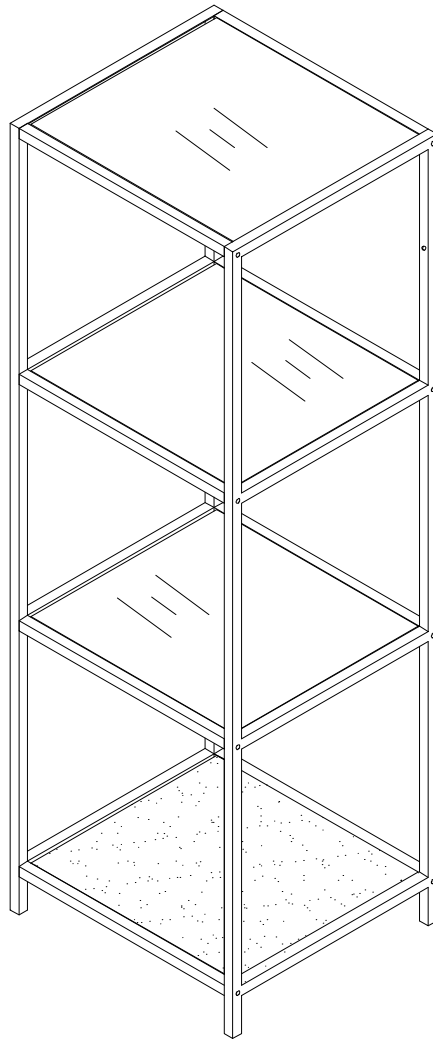
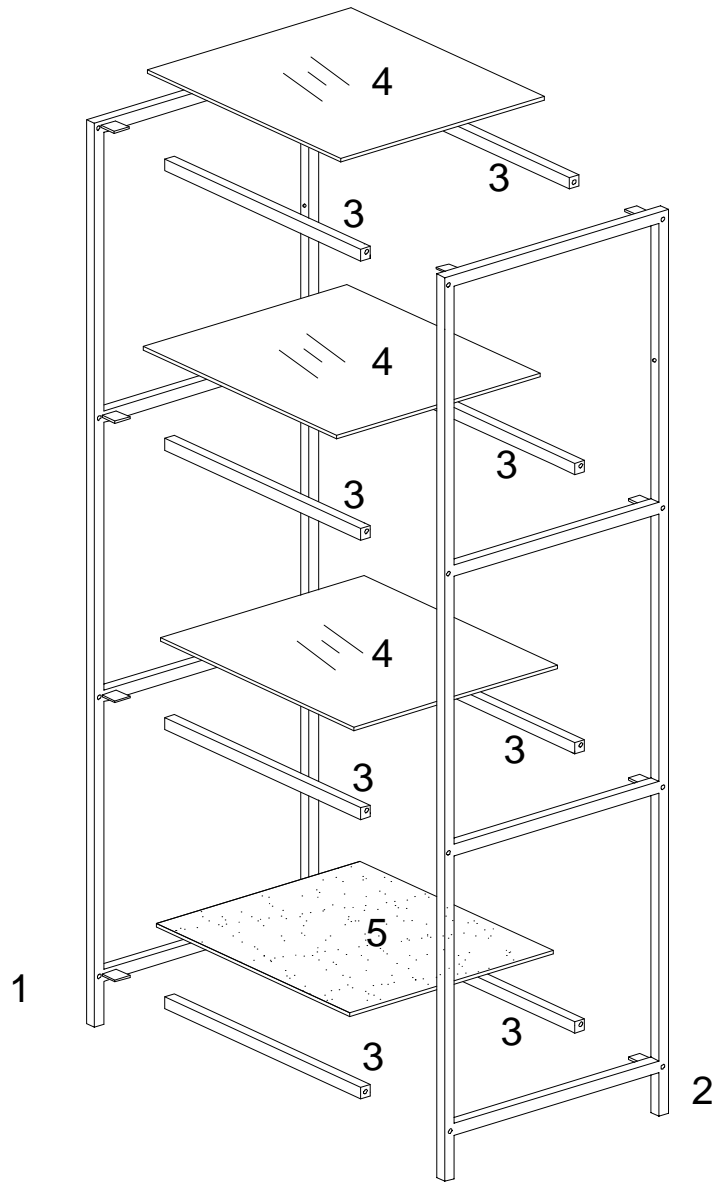
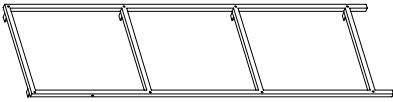
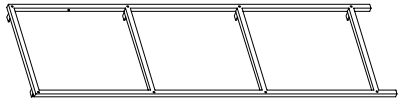
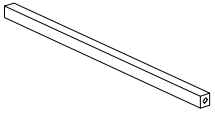
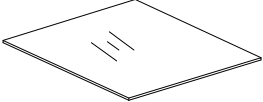
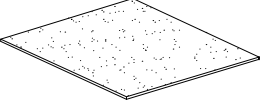
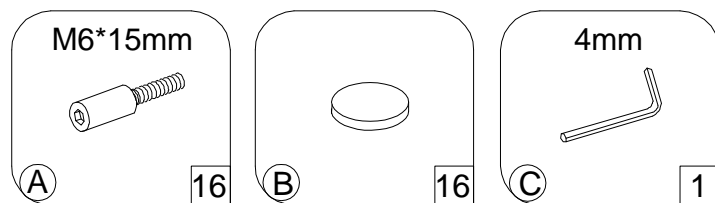


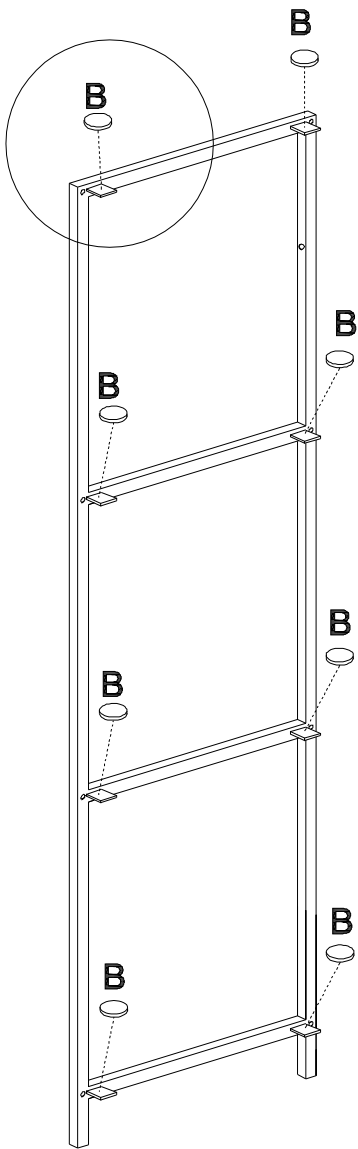
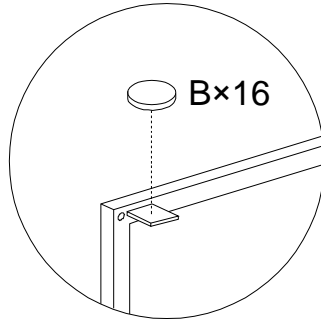
Seaford



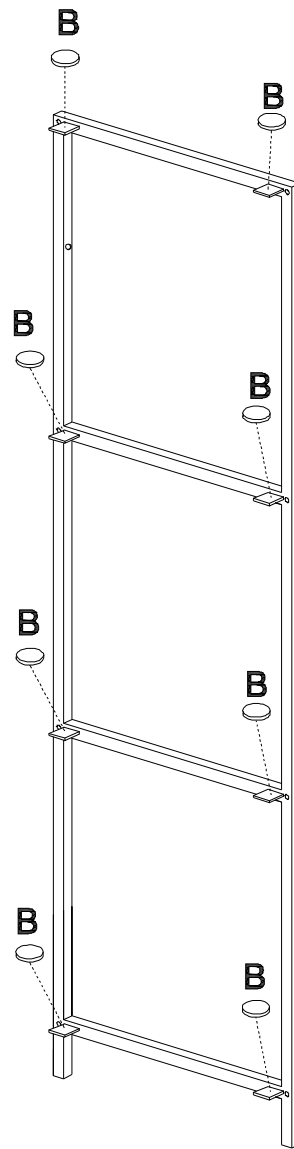


<p>1</p>  <p>1PC</p>	<p>2</p>  <p>1PC</p>	<p>3</p>  <p>8PCS</p>
<p>4</p>  <p>3PCS</p>	<p>5</p>  <p>1PC</p>	

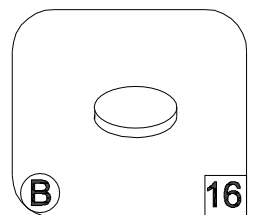


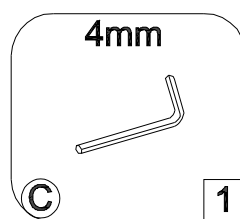
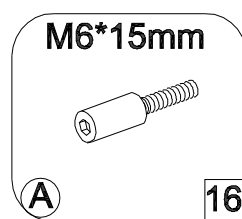
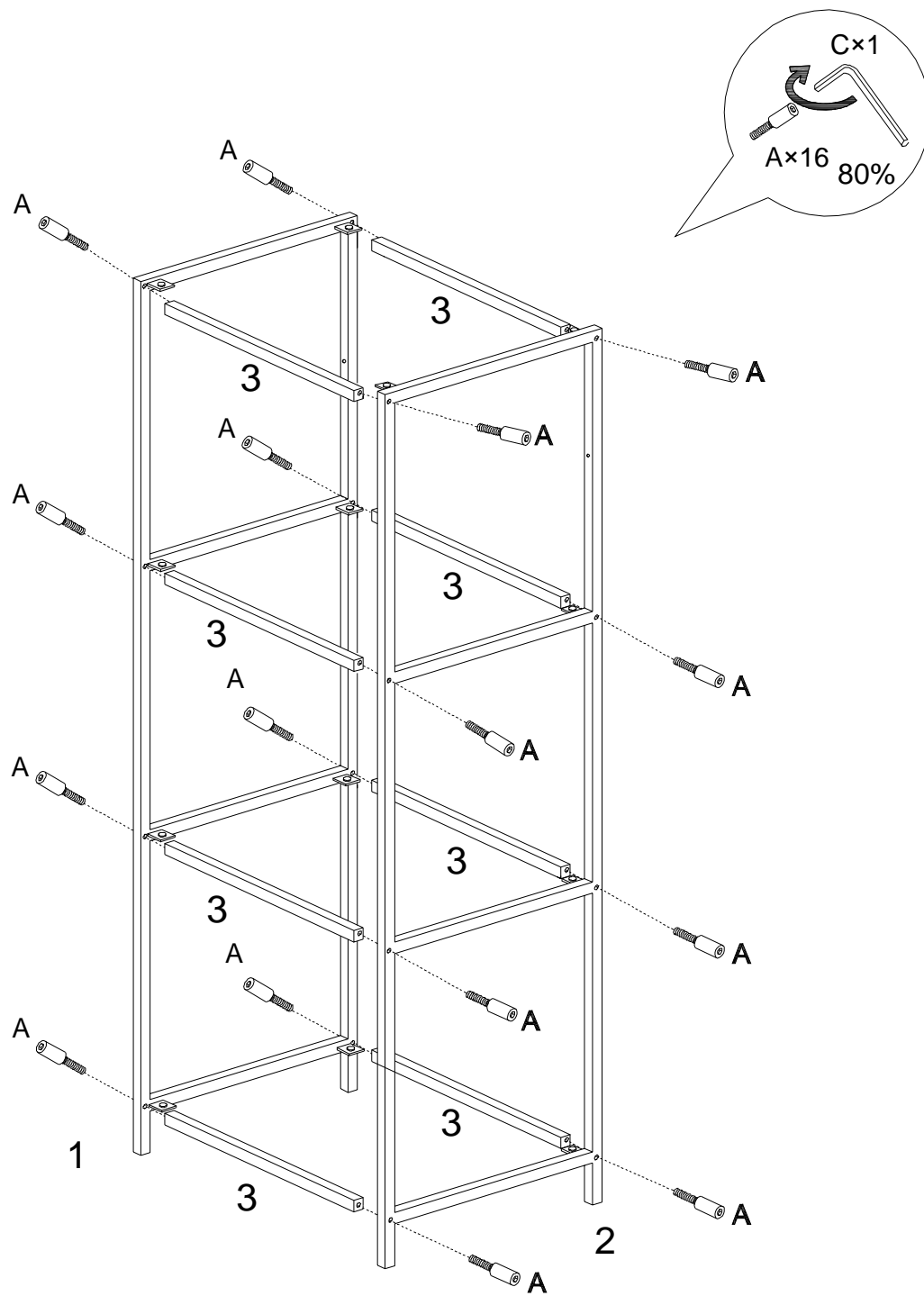


1x1



2x1





! XX=YY

