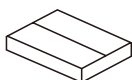




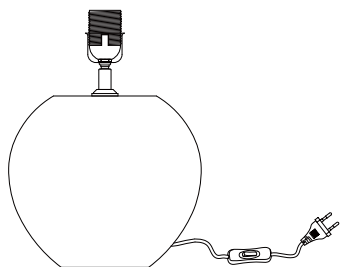
5 min



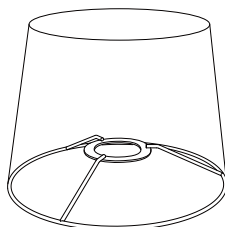
x1



x1



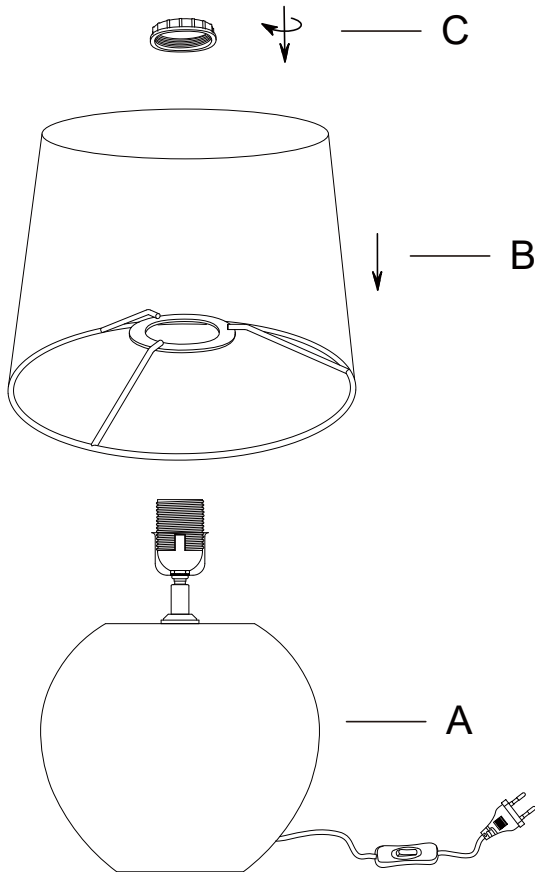
A x 1



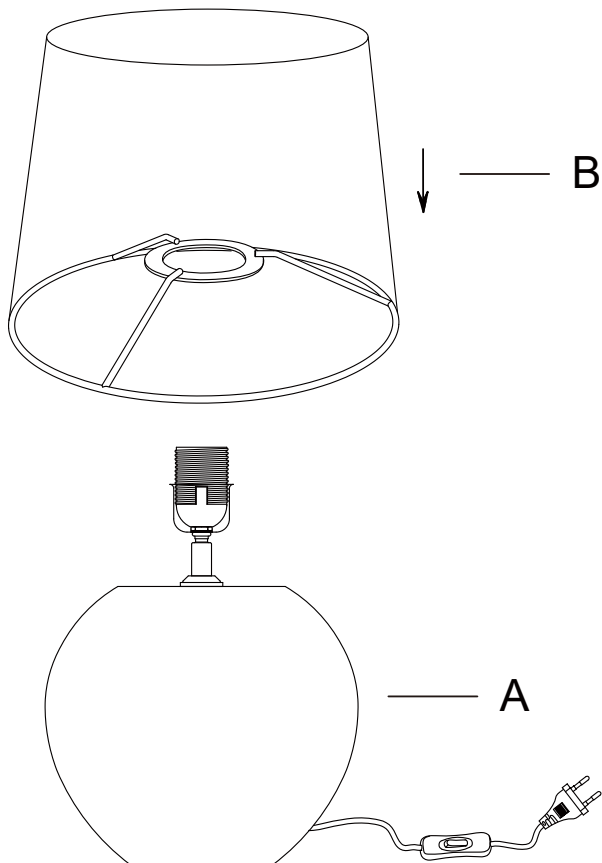
B x 1



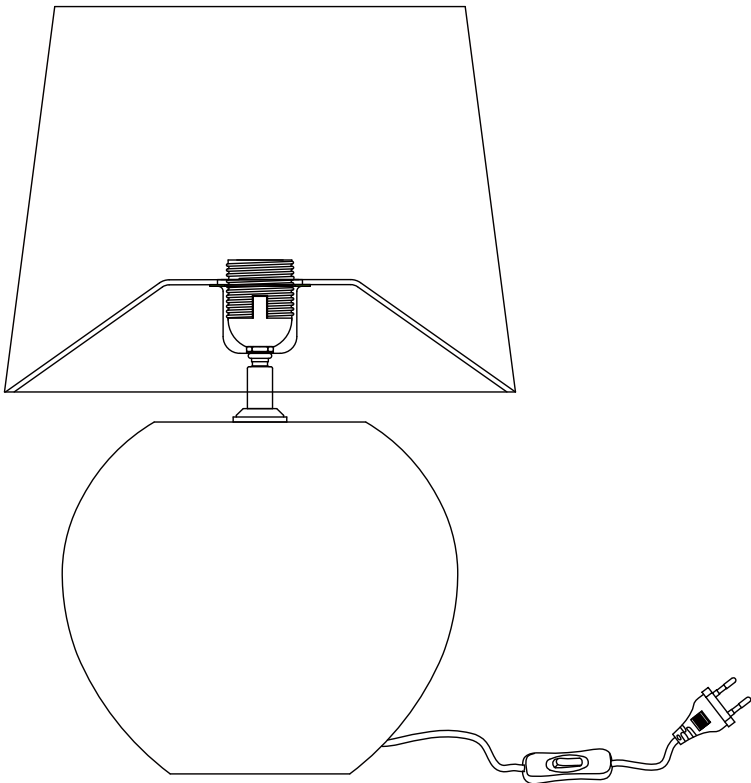
C x 1



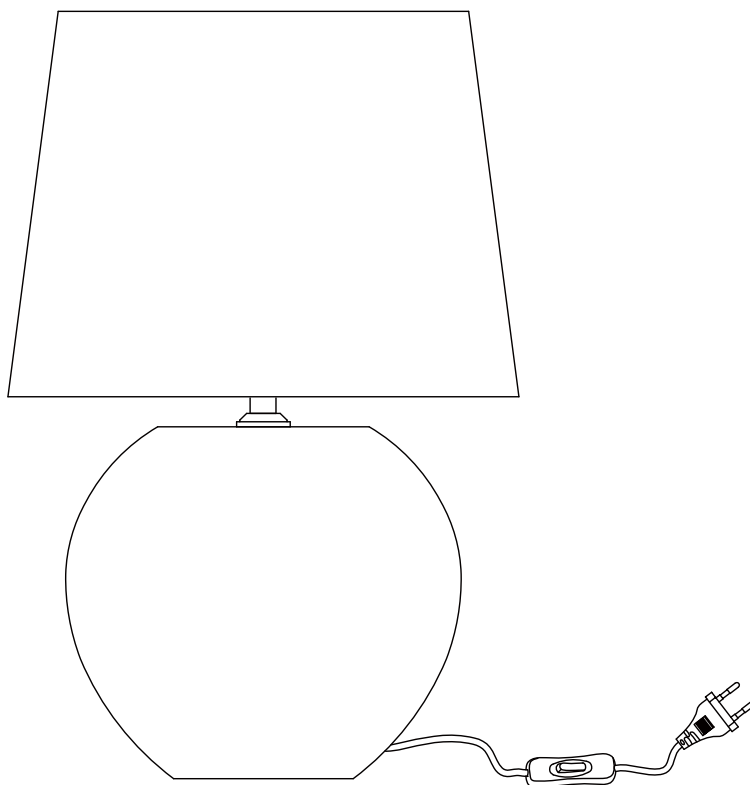
1



2



3





**THAT'S ALL FOLKS!**

Share your style!

**#KaveHome**

