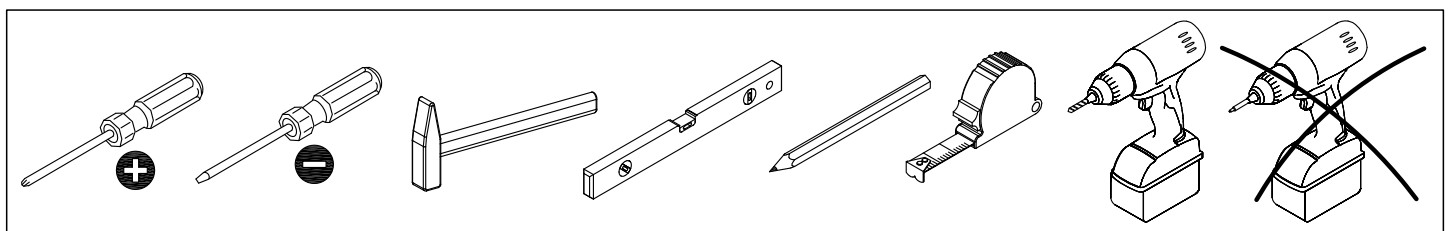
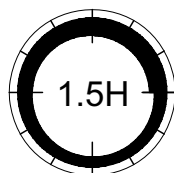
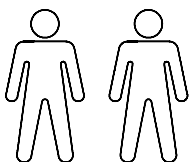
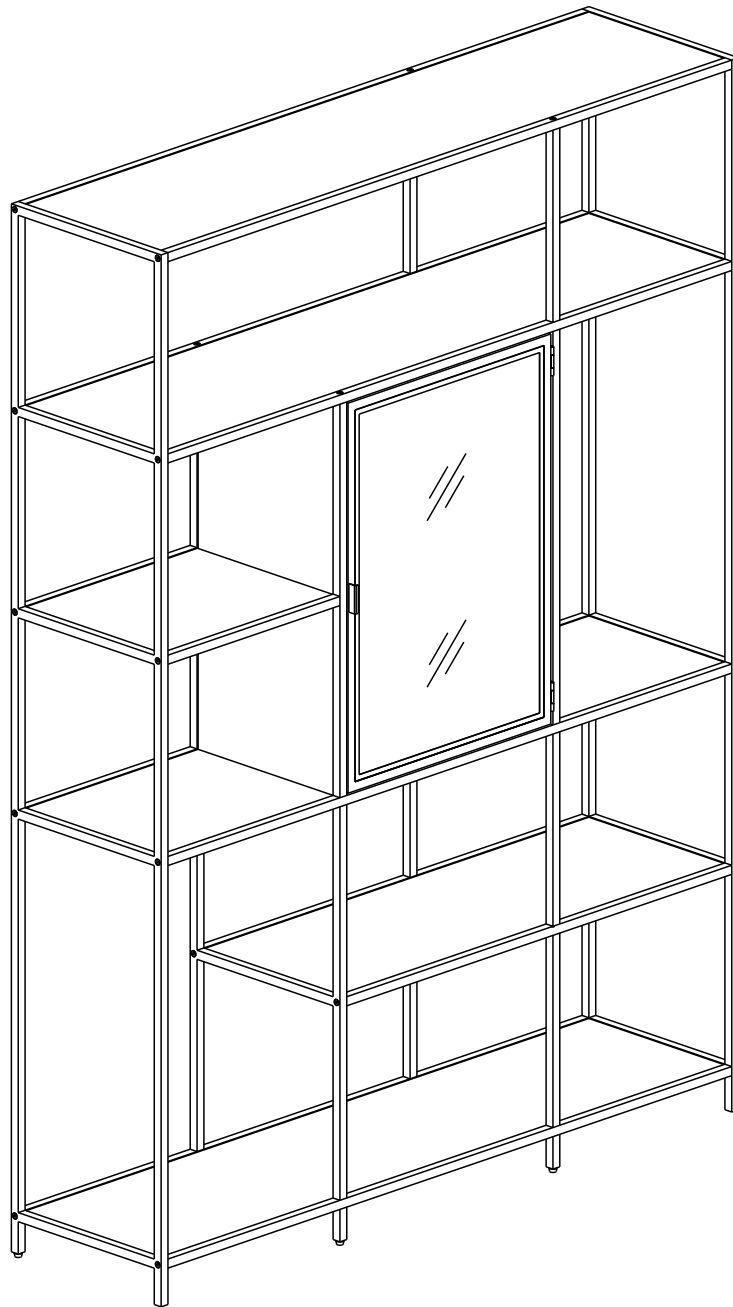
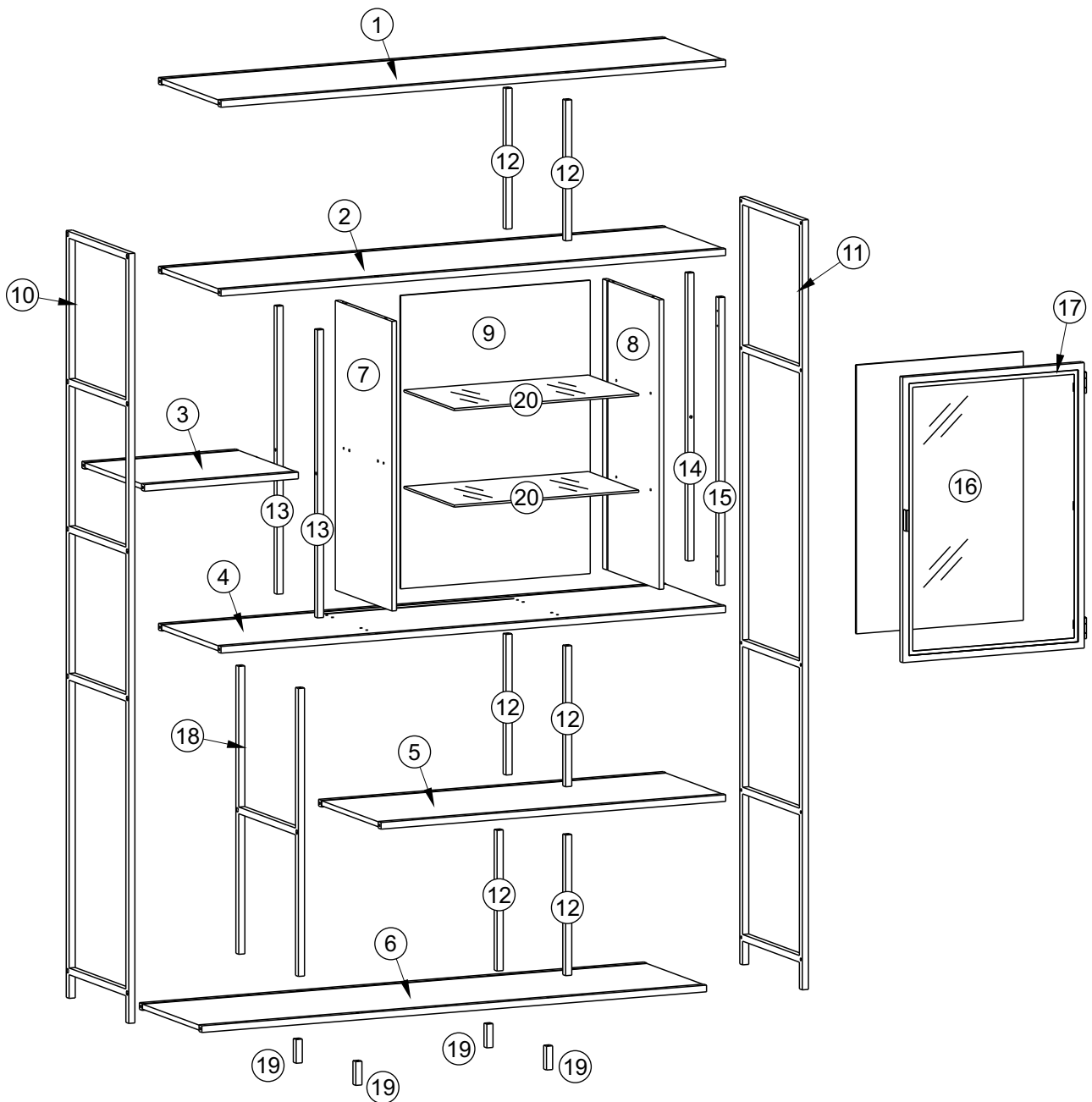


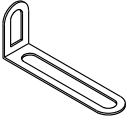
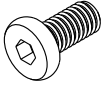
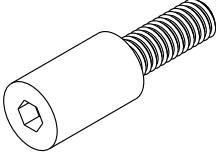
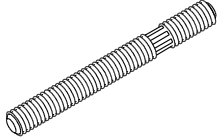
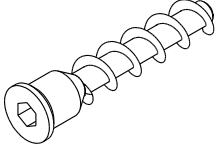
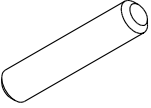
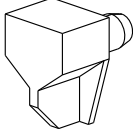
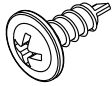
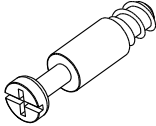
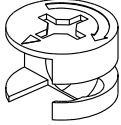
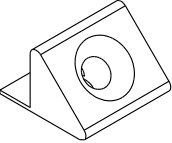
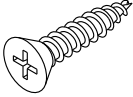
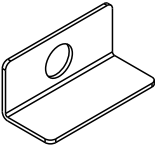
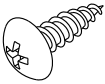
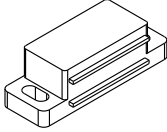
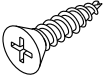
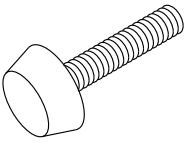
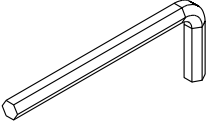
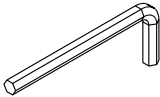
SEAFORD



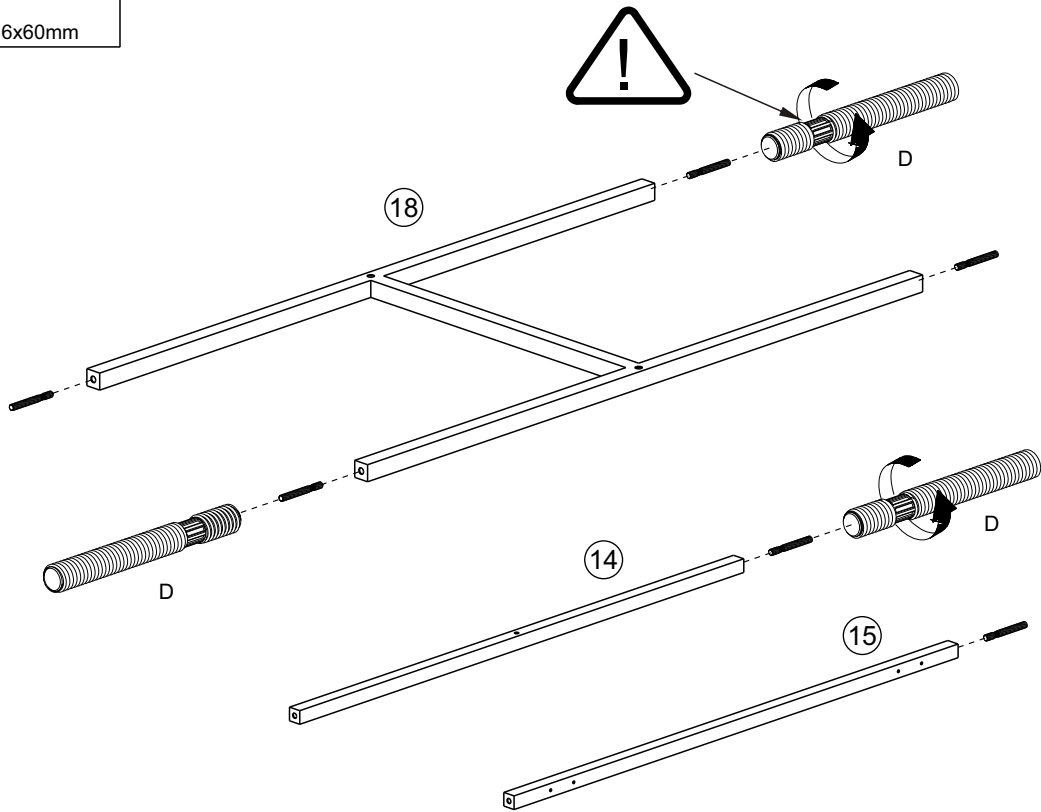
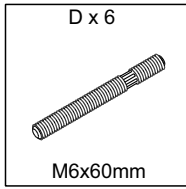
			✓
①	1	1318x350x16mm	
②	1	1318x350x18mm	
③	1	402x350x16mm	
④	1	1318x350x16mm	
⑤	1	900x350x16mm	
⑥	1	1318x350x16mm	
⑦	1	697x317x12mm	
⑧	1	697x317x12mm	
⑨	1	705x495x4mm	
⑩	1	1850x350x16mm	

			✓
⑪	1	1850x350x16mm	
⑫	6	338x16x16mm	
⑬	2	692x16x16mm	
⑭	1	692x16x16mm	
⑮	1	692x16x16mm	
⑯	1	649x436x5mm	
⑰	1	683x478x32mm	
⑱	1	692x350x16mm	
⑲	4	57x16x16mm	
⑳	2	485x282x5mm	

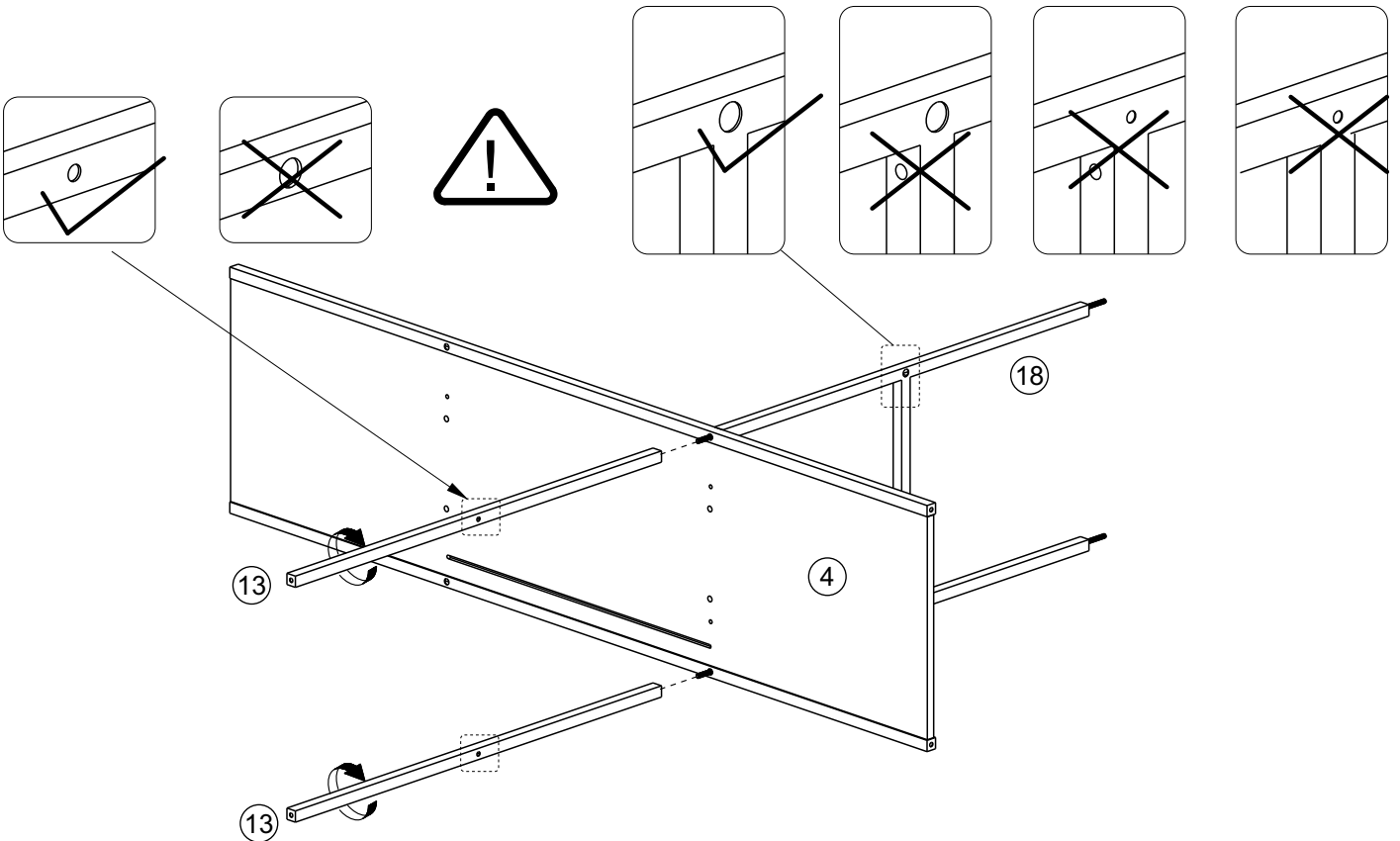


<p>A x 2</p>  <p>75x25x15mm</p>	<p>B x 2</p>  <p>M6x12mm</p>	<p>C x 28</p>  <p>M6 x 15 mm</p>	<p>D x 12</p>  <p>M6x60mm</p>	<p>E x 5</p>  <p>Ø5x38mm</p>
<p>F x 10</p>  <p>Ø6x30mm</p>	<p>G x 8</p>  <p>16x16x11mm</p>	<p>H x 4</p>  <p>Ø4x12mm</p>	<p>J x 2</p>  <p>Ø6x27mm</p>	<p>K x 2</p>  <p>Ø12x10mm</p>
<p>L x 4</p>  <p>15x13x10mm</p>	<p>M x 4</p>  <p>Ø3.5x20mm</p>	<p>N x 6</p>  <p>20x10x7 mm</p>	<p>P x 6</p>  <p>Ø4x12mm</p>	<p>Q x 1</p>  <p>58x25x15mm</p>
<p>R x 2</p>  <p>Ø3.5x16mm</p>	<p>S x 6</p>  <p>Ø13.5mm</p>	<p>T x 1</p>  <p>4mm</p>	<p>U x 1</p>  <p>3mm</p>	

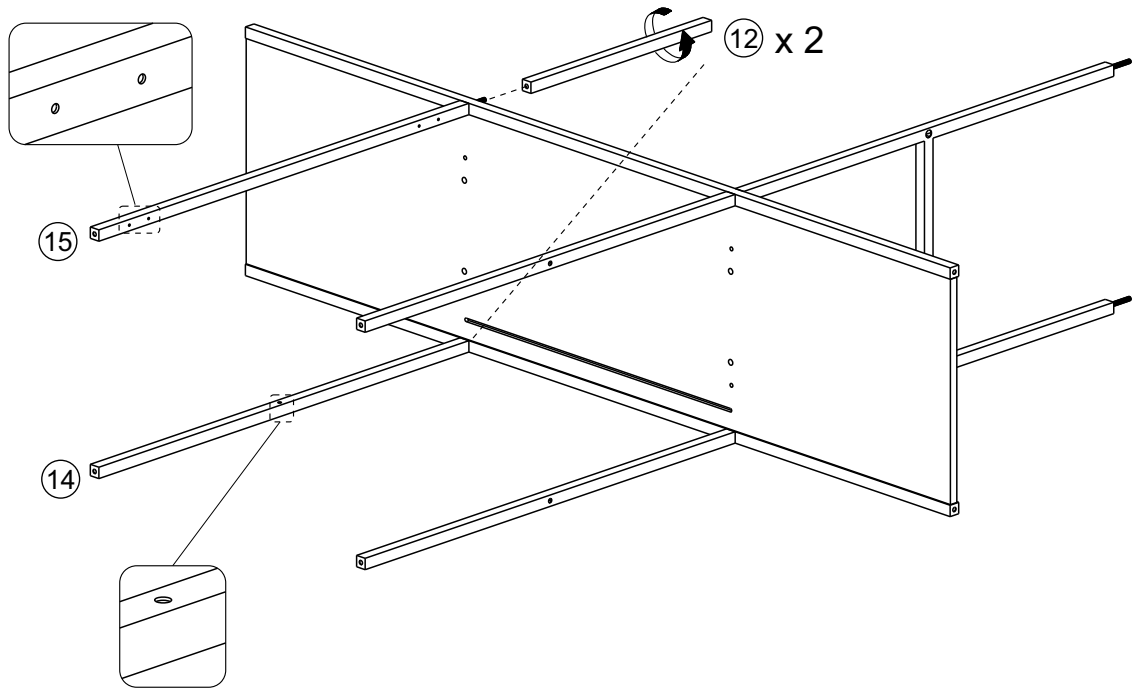
1



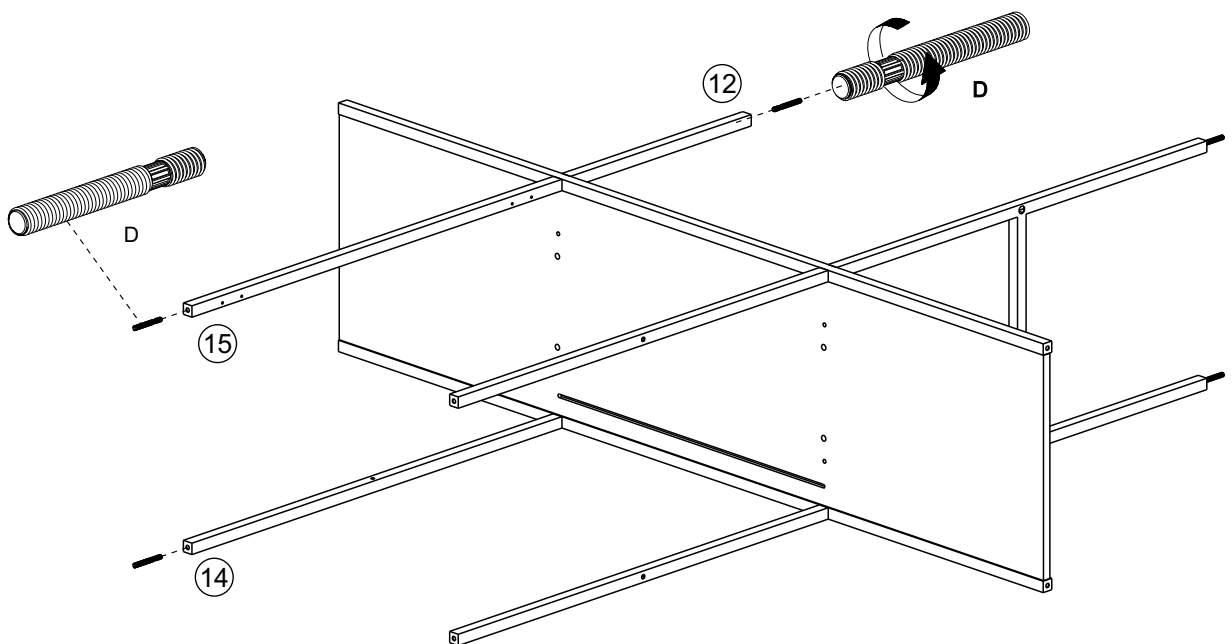
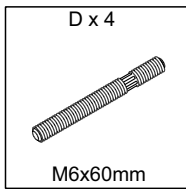
2



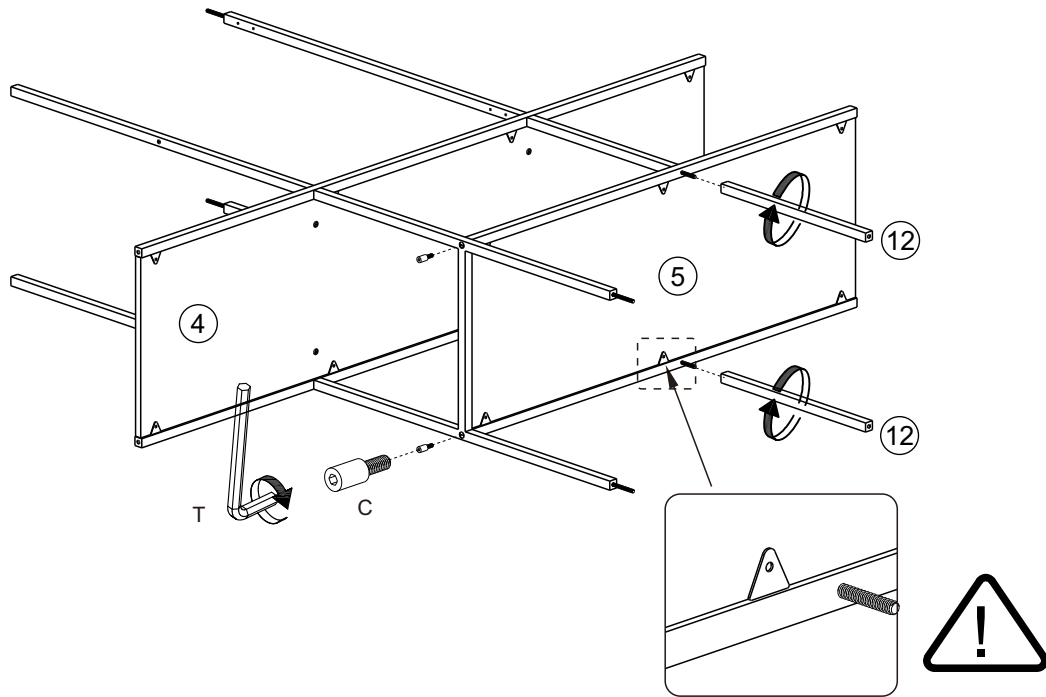
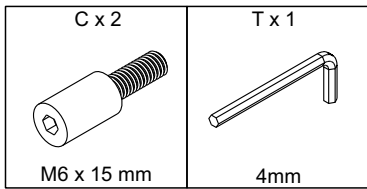
3



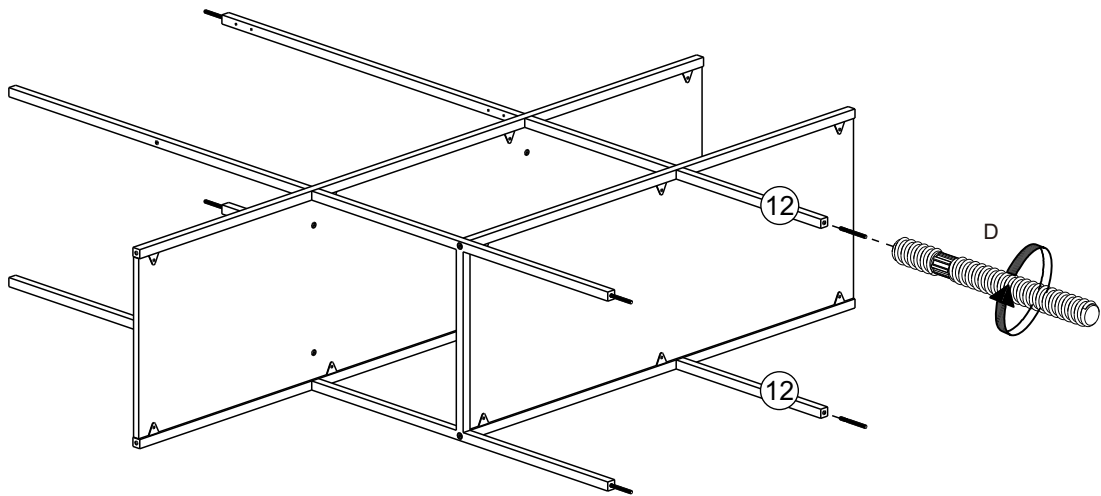
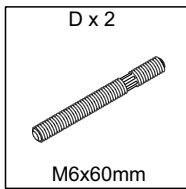
4



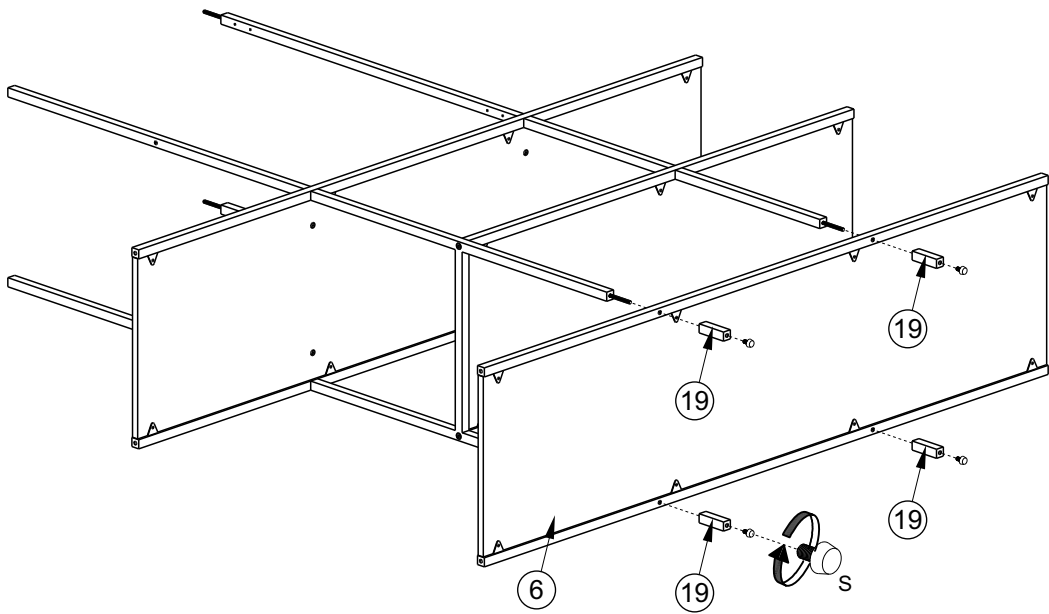
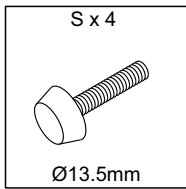
5



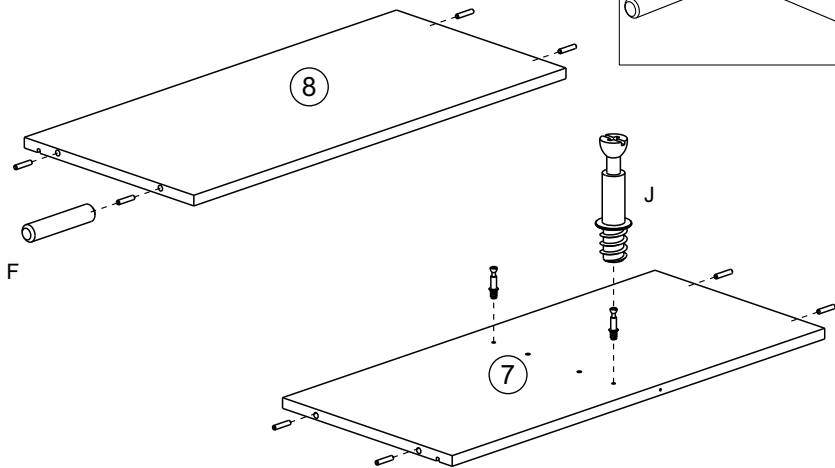
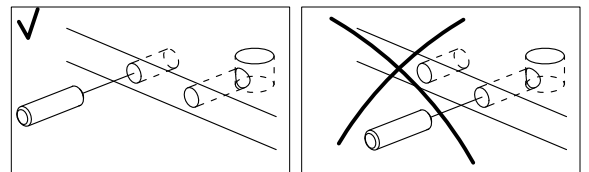
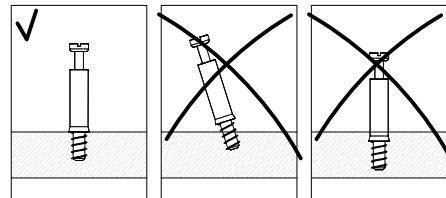
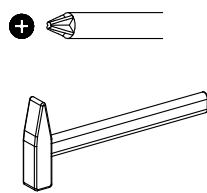
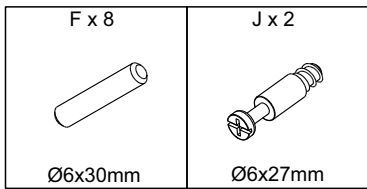
6



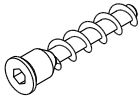

7

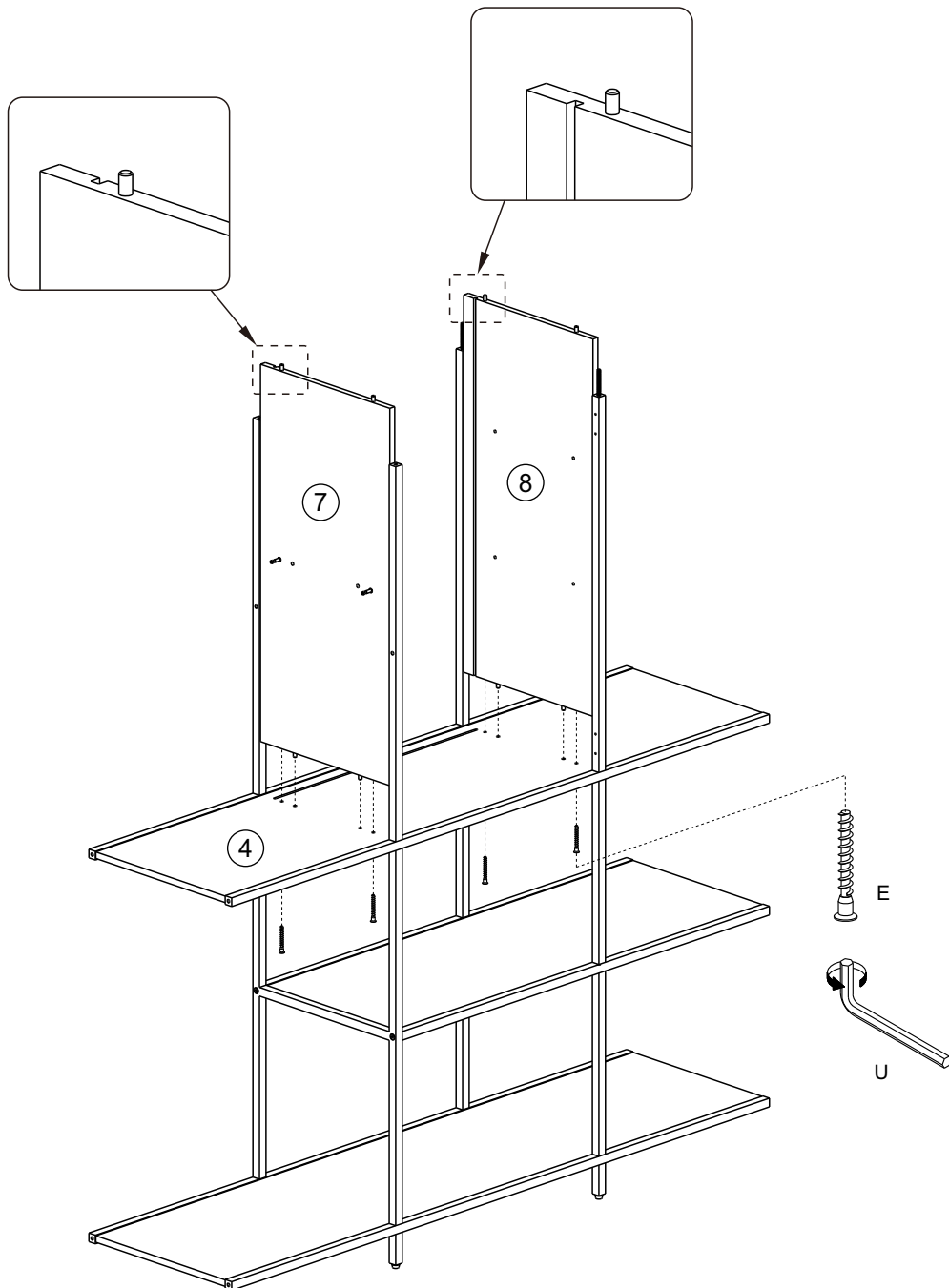


8

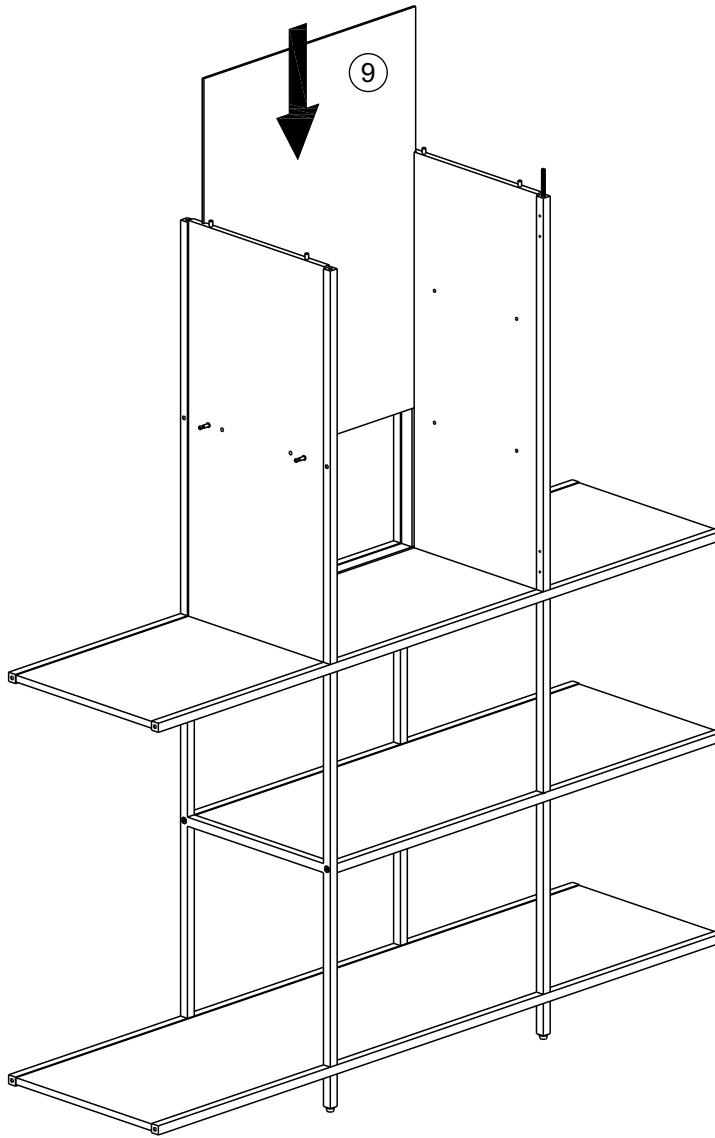


9

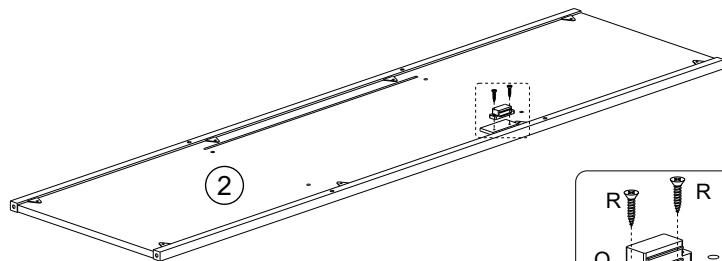
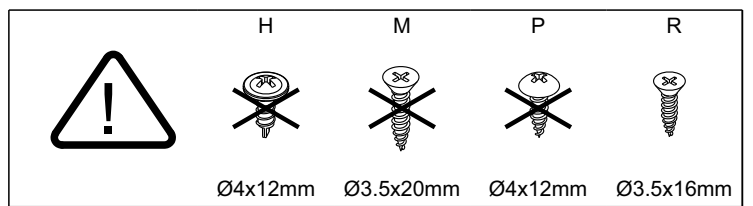
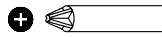
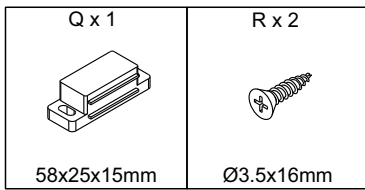
E x 4  Ø5x38mm	U x 1  3mm
---	---



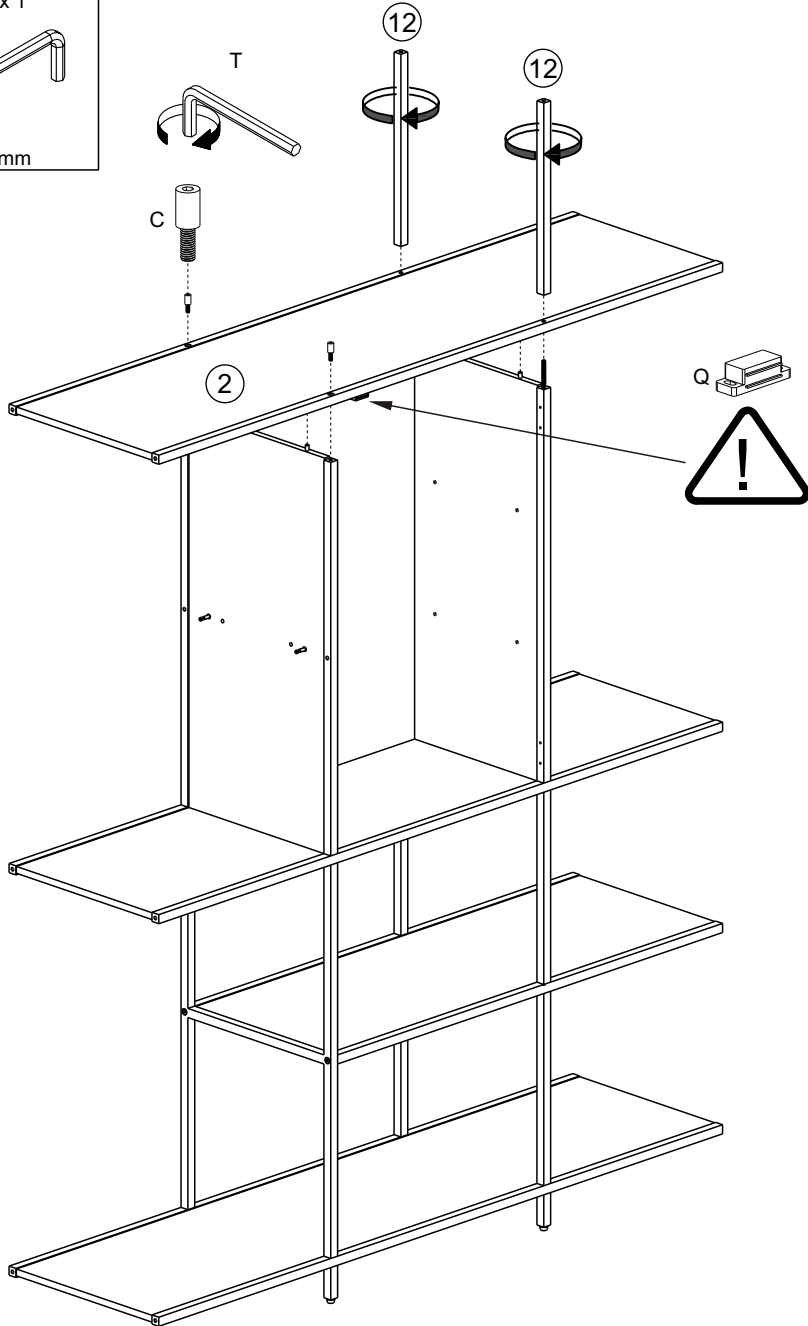
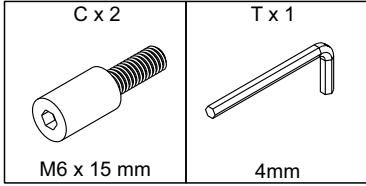
10



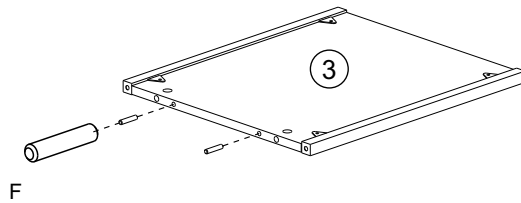
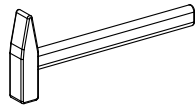
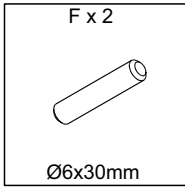
11



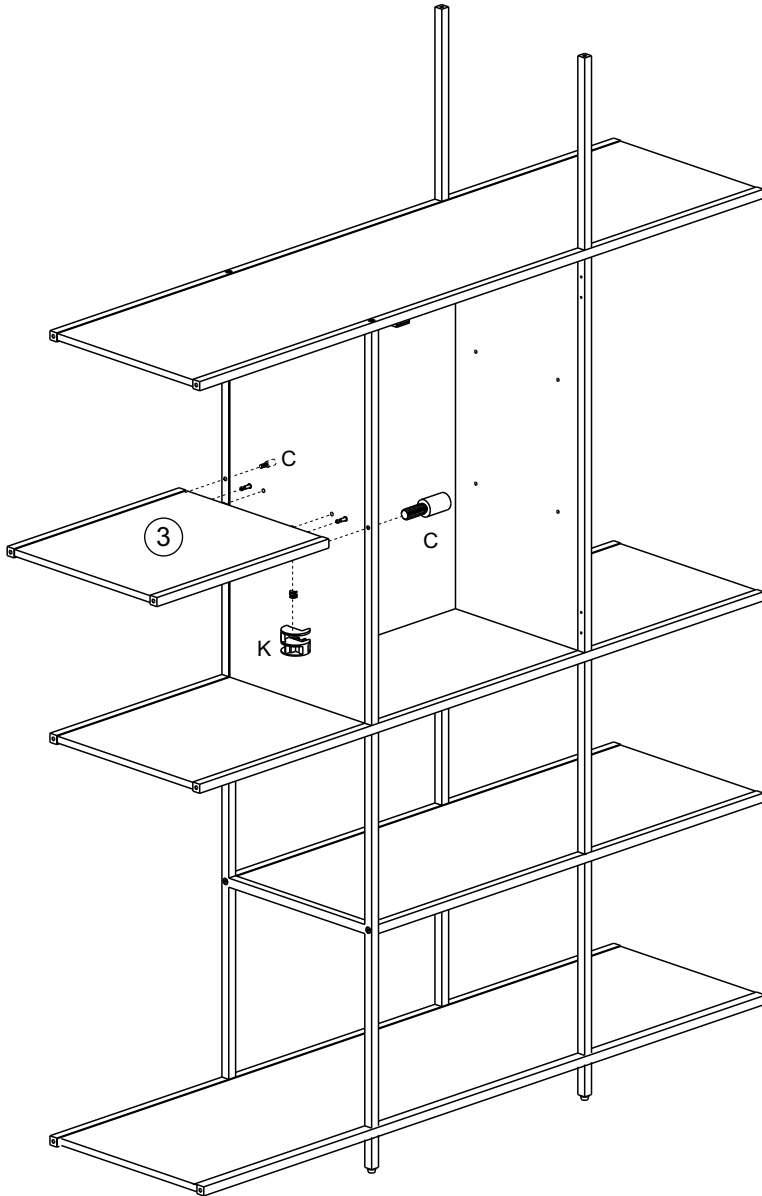
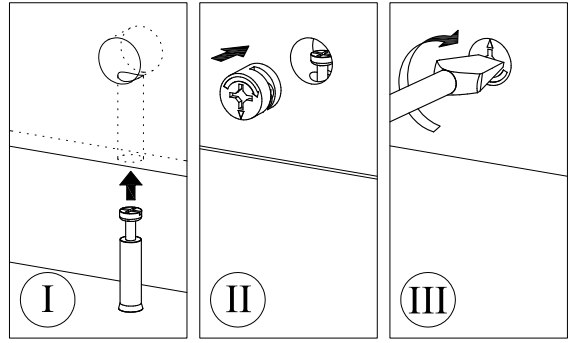
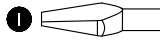
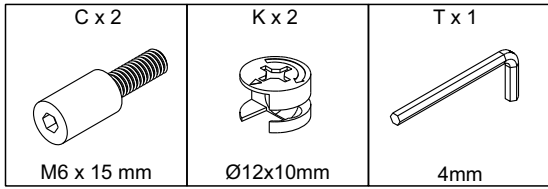
12



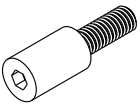
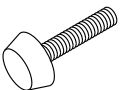
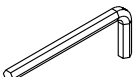
13

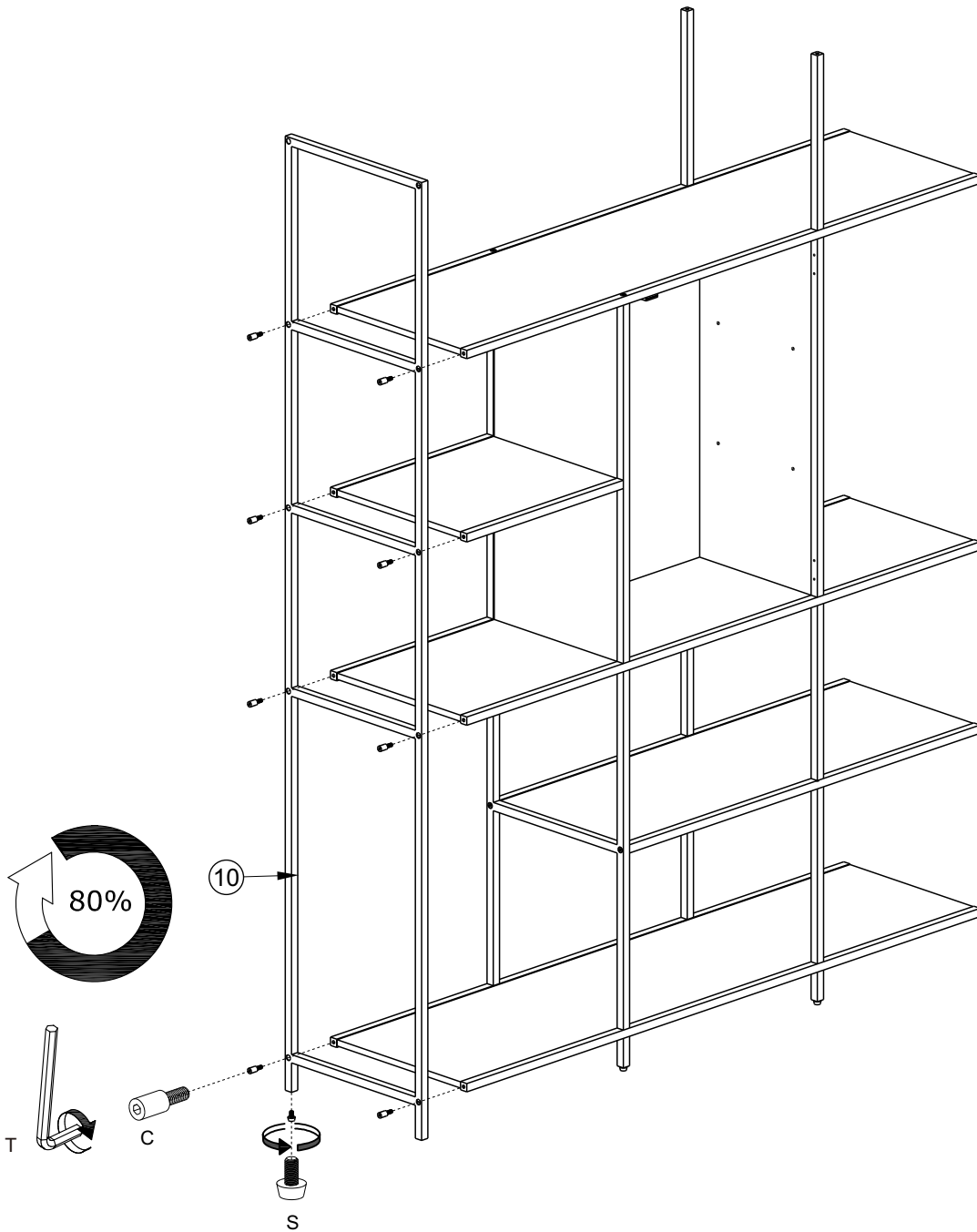


14



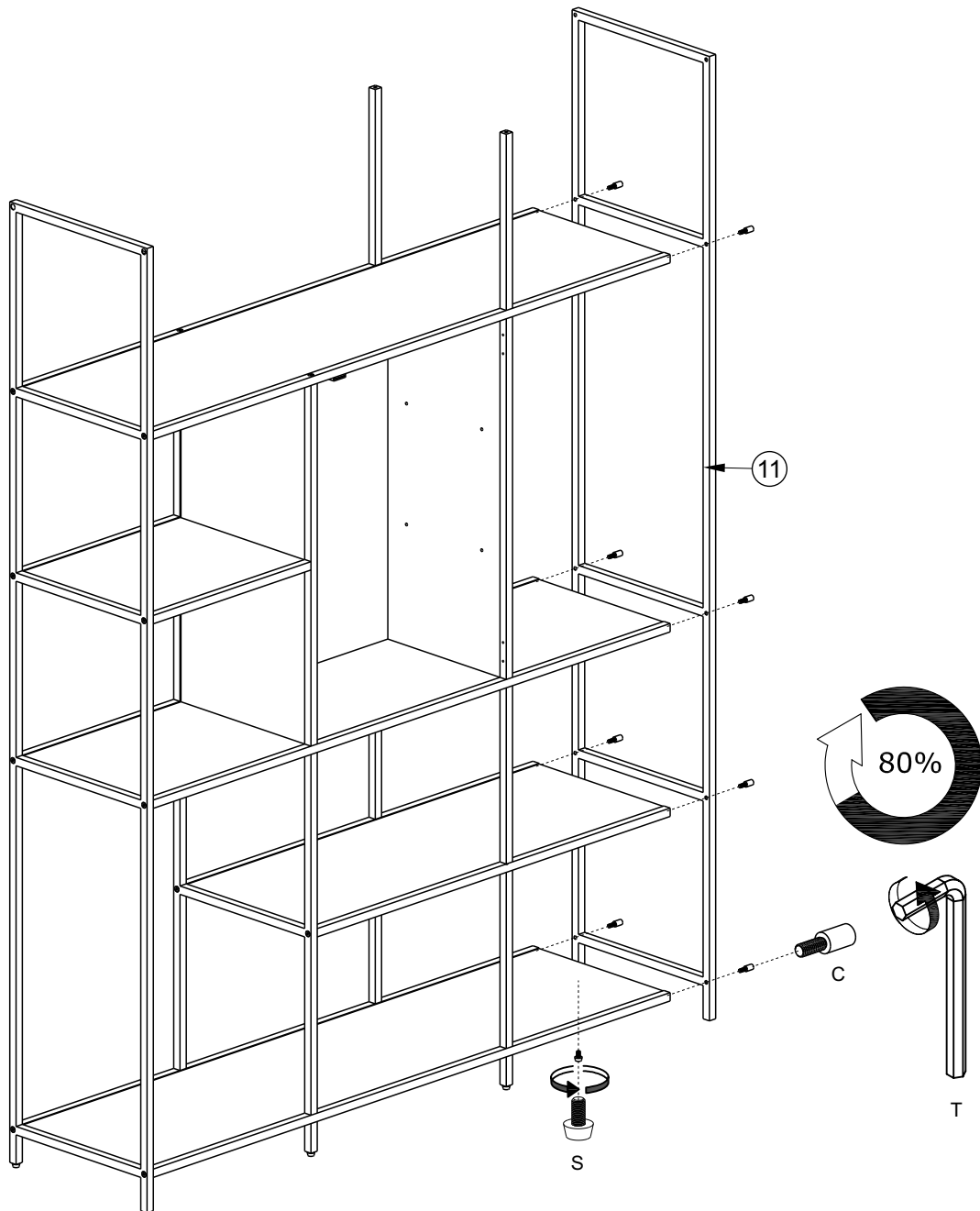
15

C x 8  M6 x 15 mm	S x 1  Ø13.5mm	T x 1  4mm
--	---	---



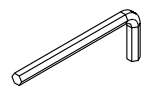


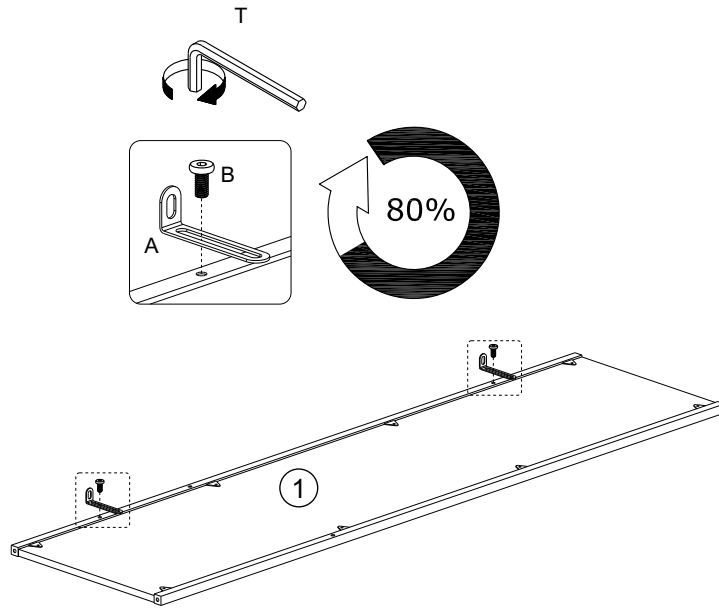
16

C x 8 M6 x 15 mm	S x 1 Ø13.5mm	T x 1 4mm
---------------------	------------------	--------------

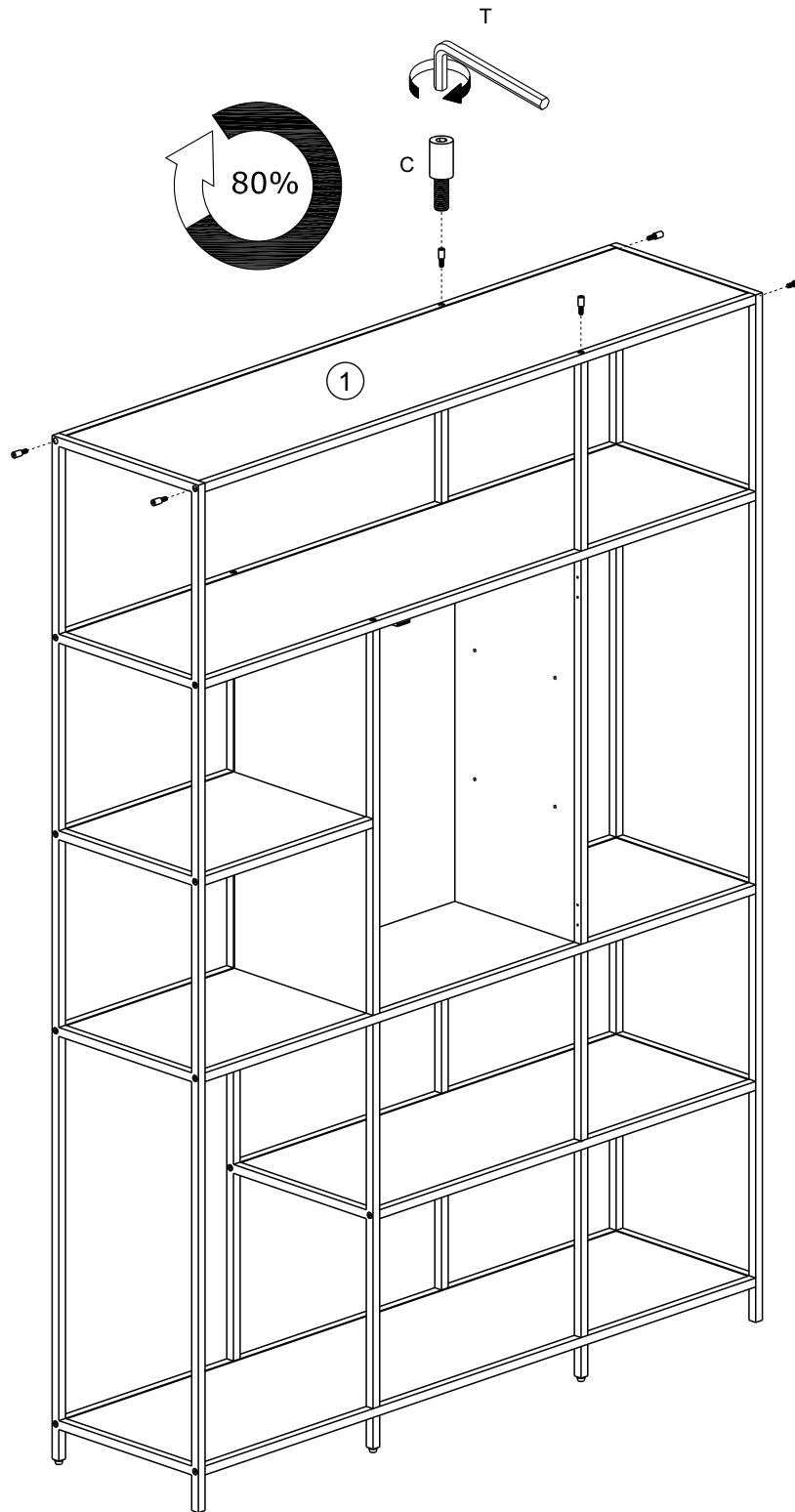
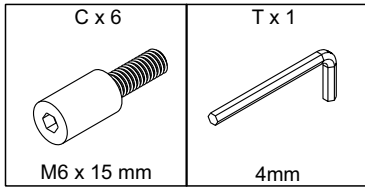


17

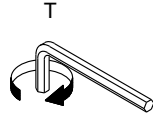
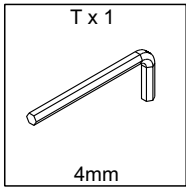
A x 2  75x25x15mm	B x 2  M6x12mm	T x 1  4mm
--	---	---



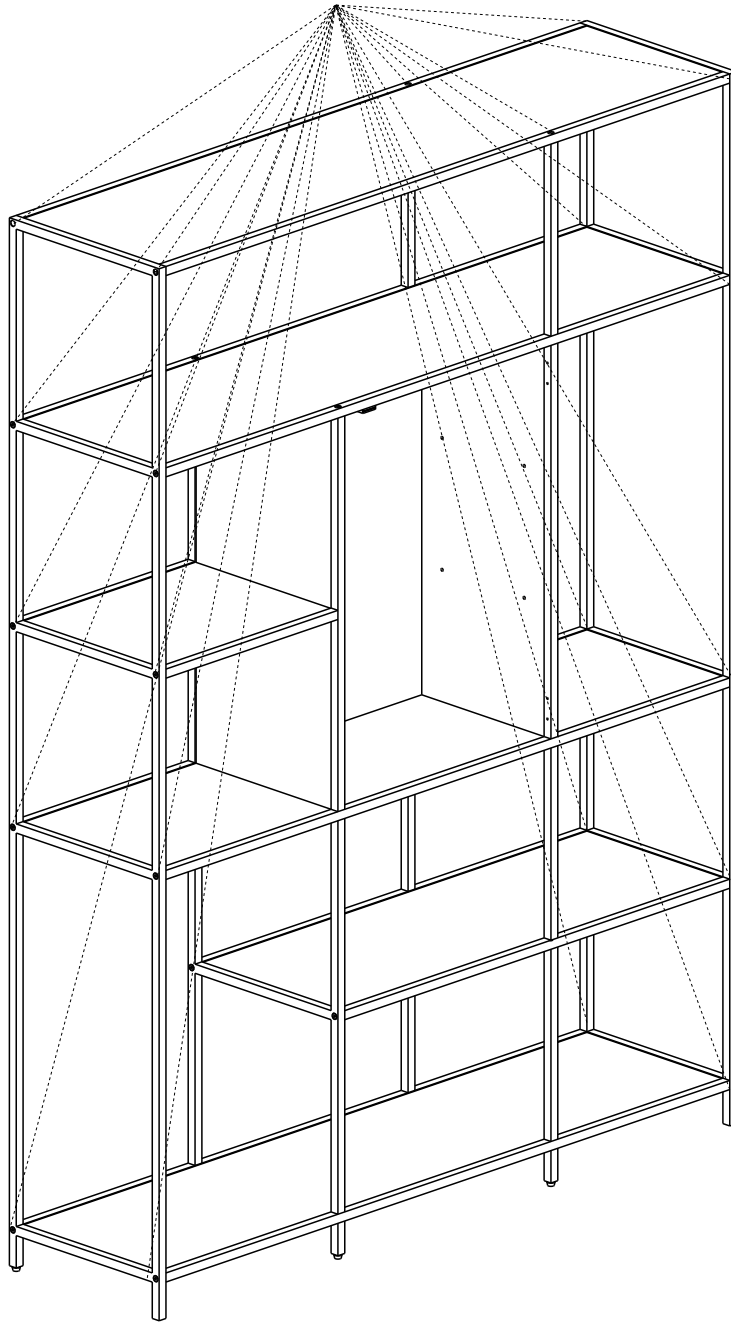
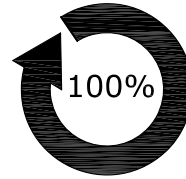
18



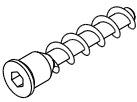
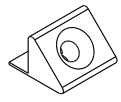


19

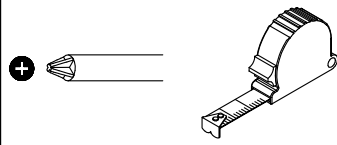






Cx22

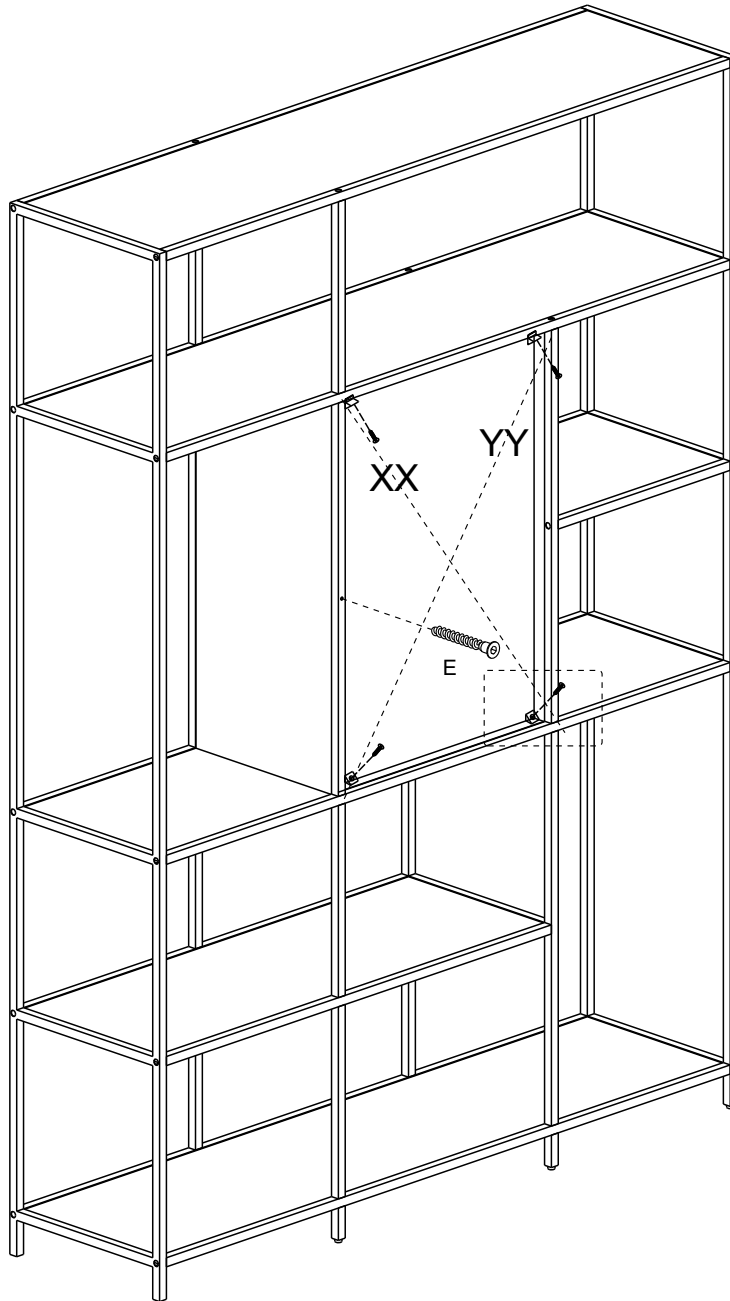


20

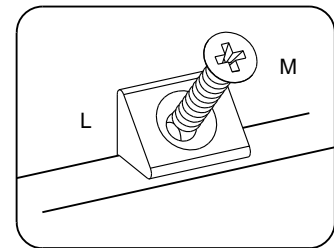
 E x 1 Ø5x38mm	 L x 4 15x13x10mm	 M x 4 Ø3.5x20mm	 U x 1 3mm
---	--	---	---



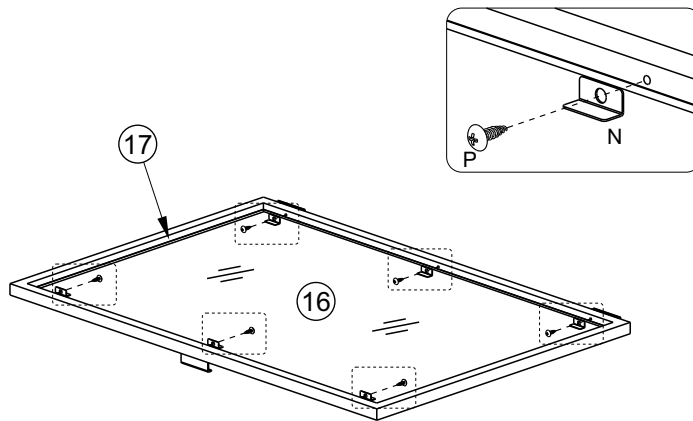
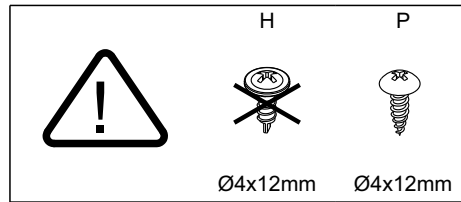
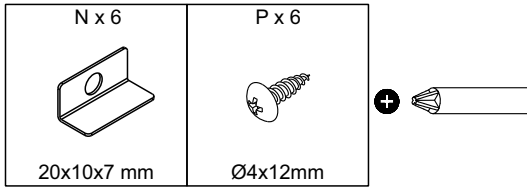
	 H Ø4x12mm	 M Ø3.5x20mm	 P Ø4x12mm
--	---	---	---



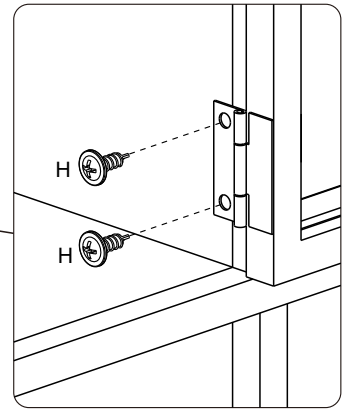
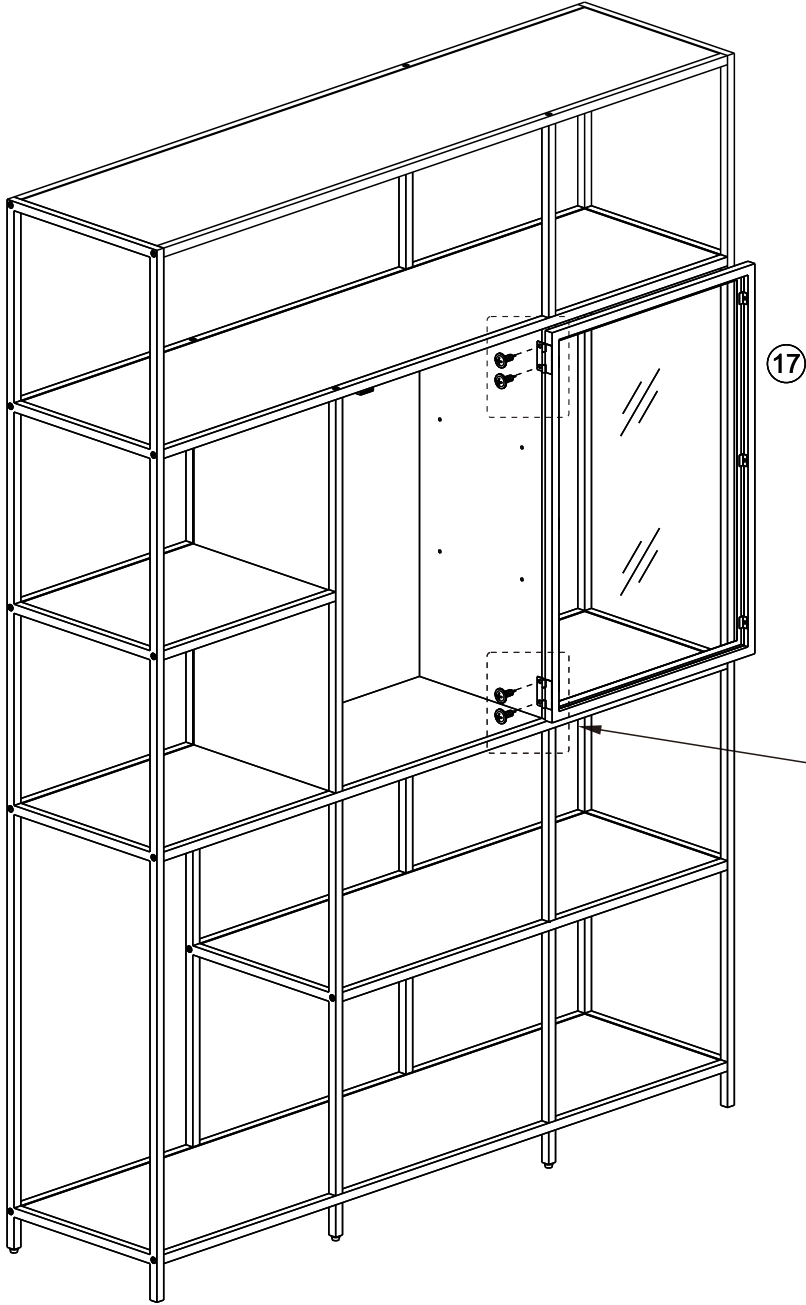
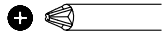
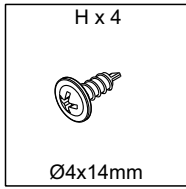
XX=YY



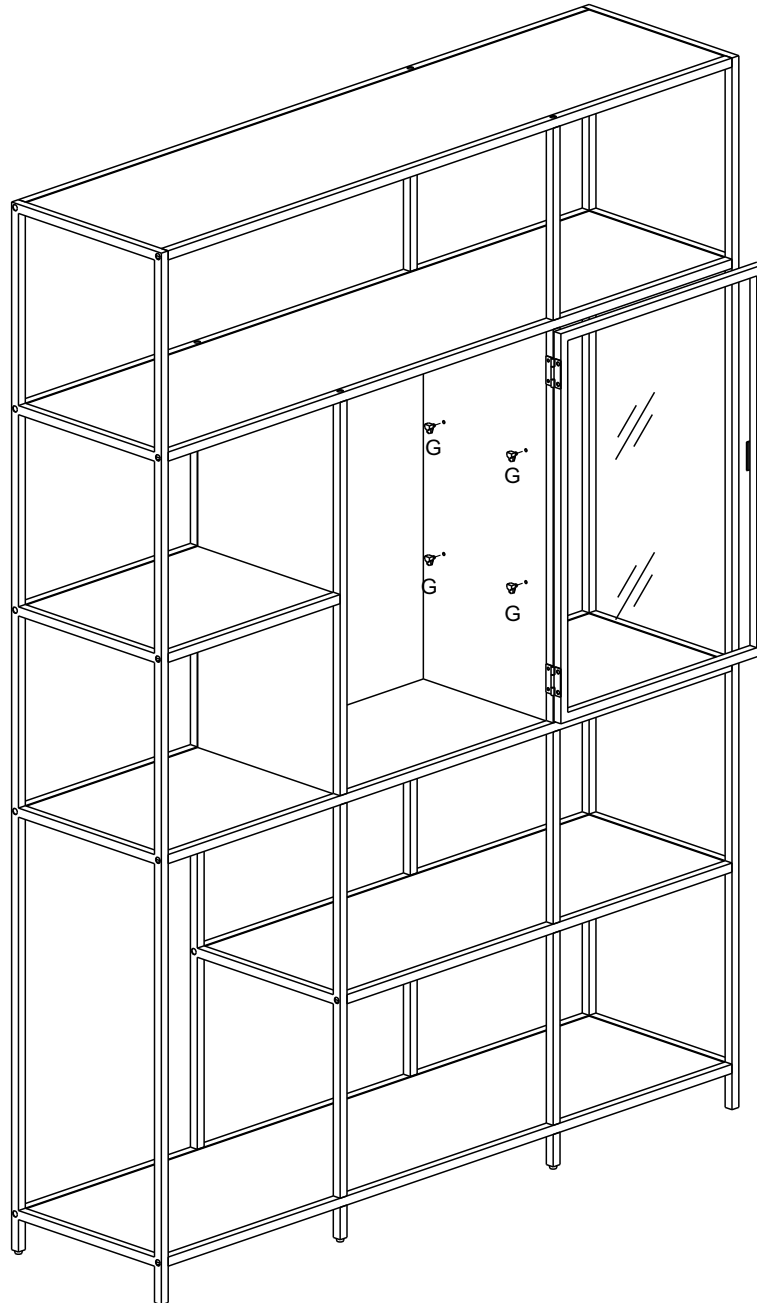
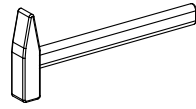
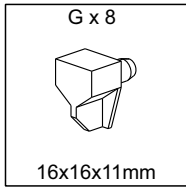
21

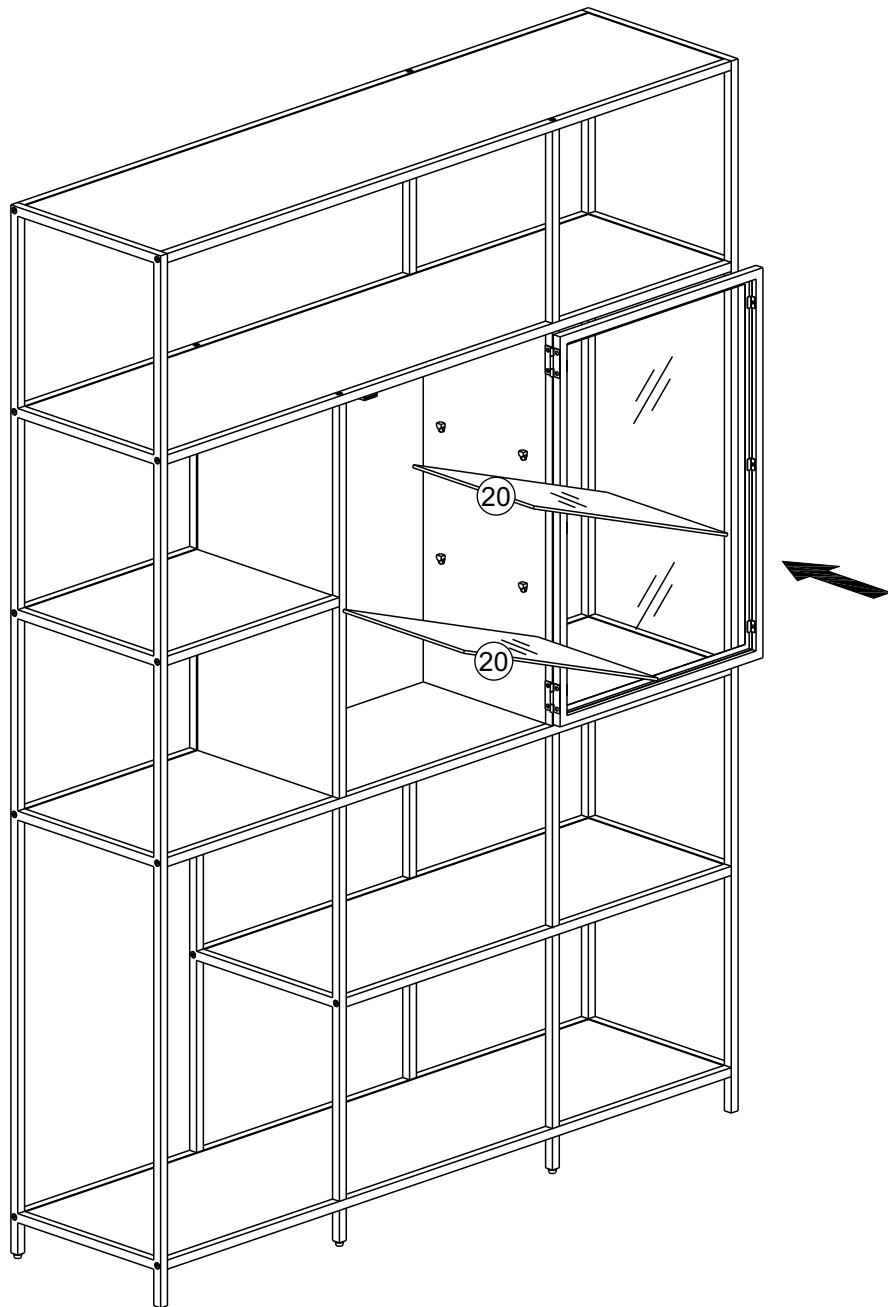


22

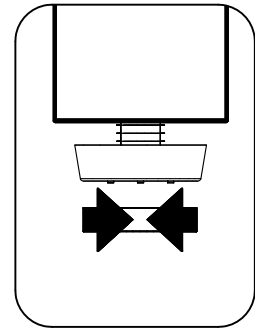
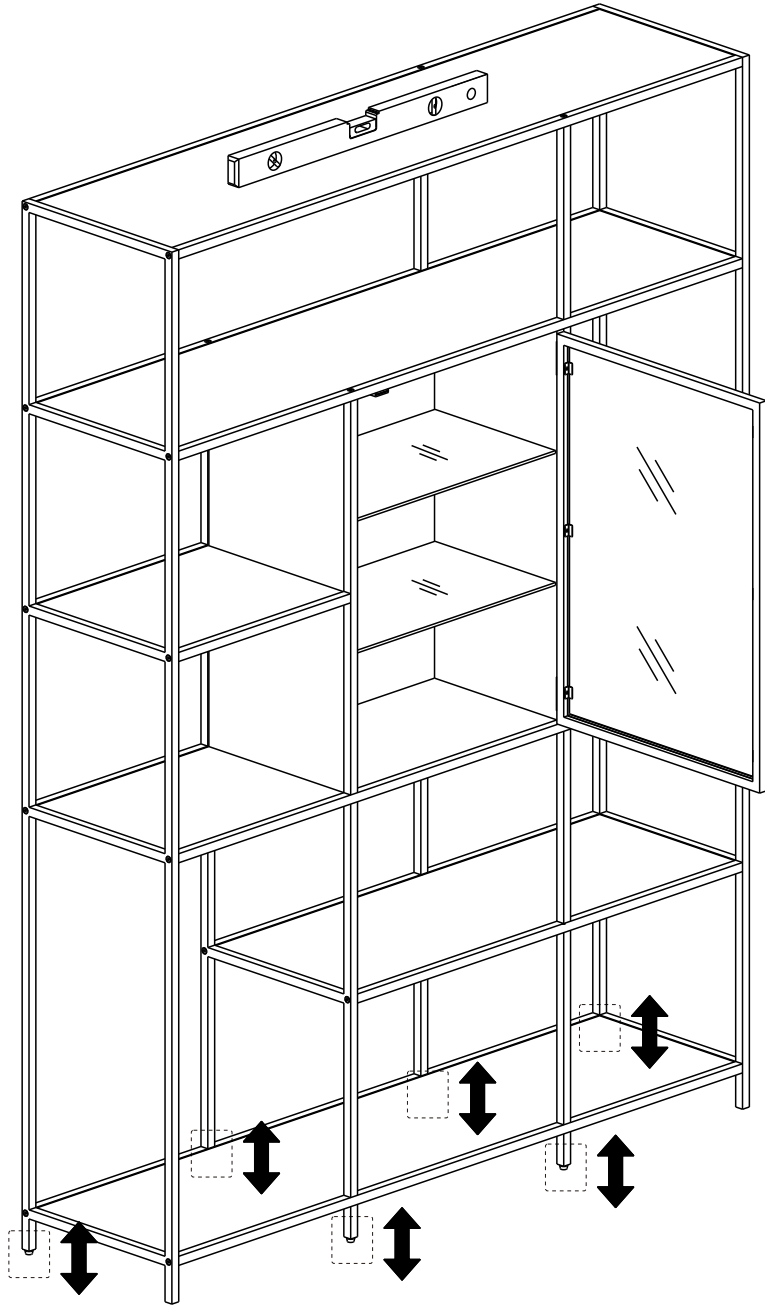
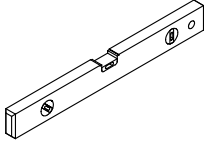


23

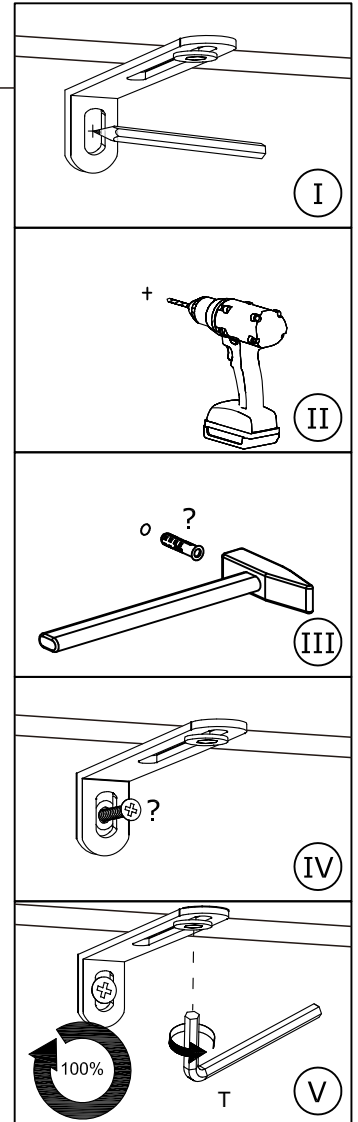
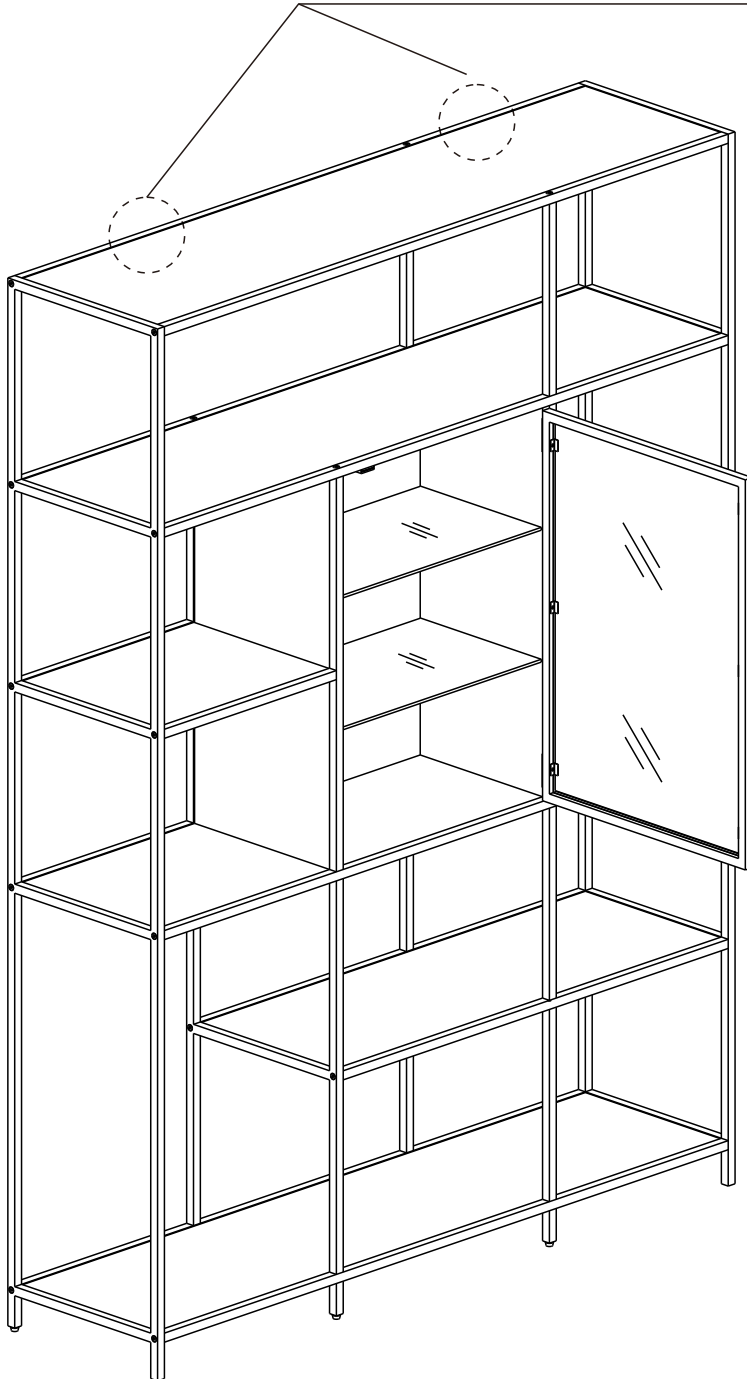
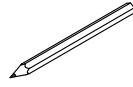
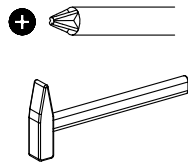
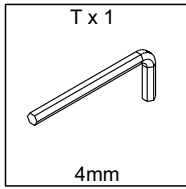




25



26



27

