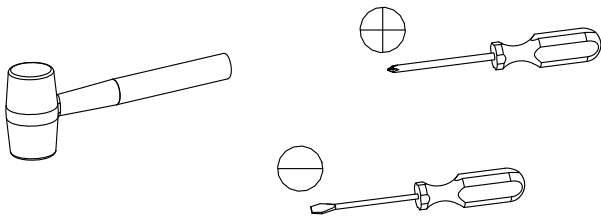
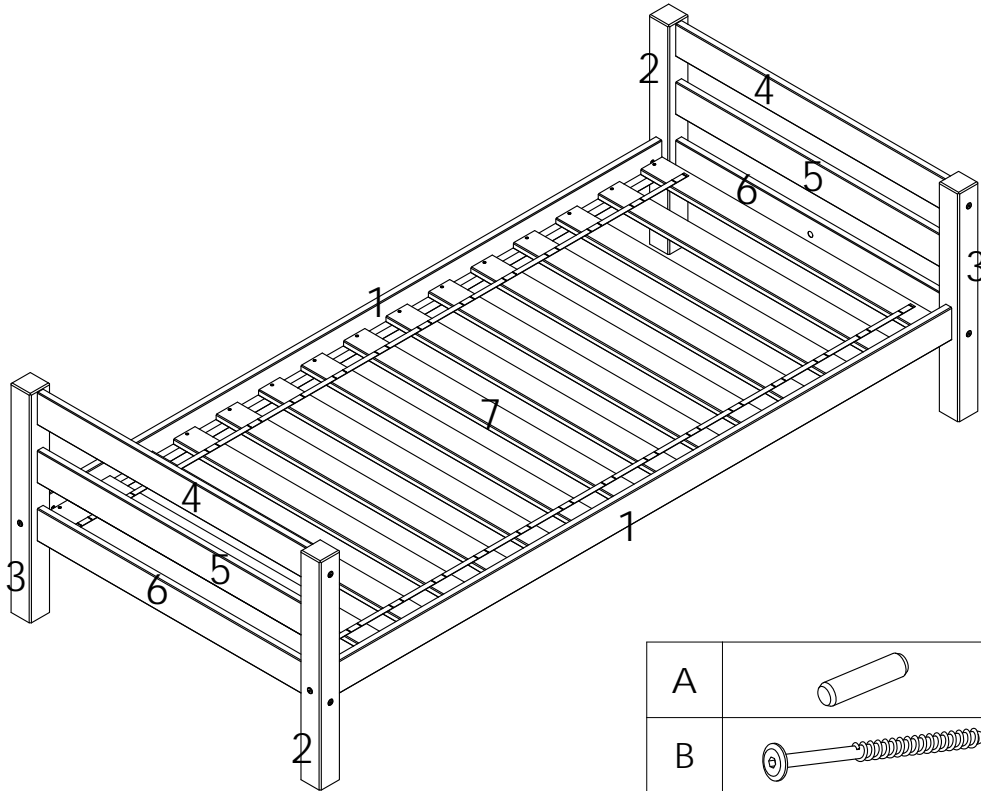
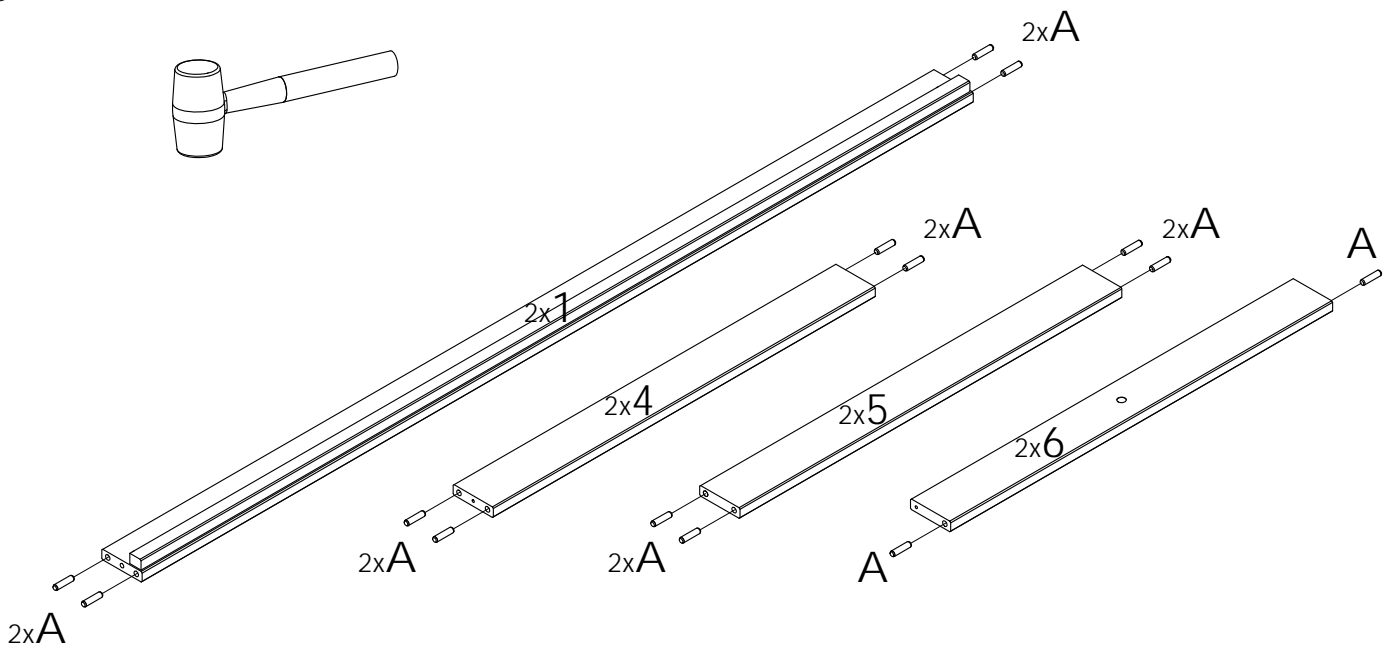


30 min



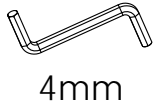
A		10x40	x28
B		6,3x105	x8
C		M6x100	x4
D		M6x10x13	x4
E		3,5x40	x30
F		D15x18	x12
G		4mm	x1

1

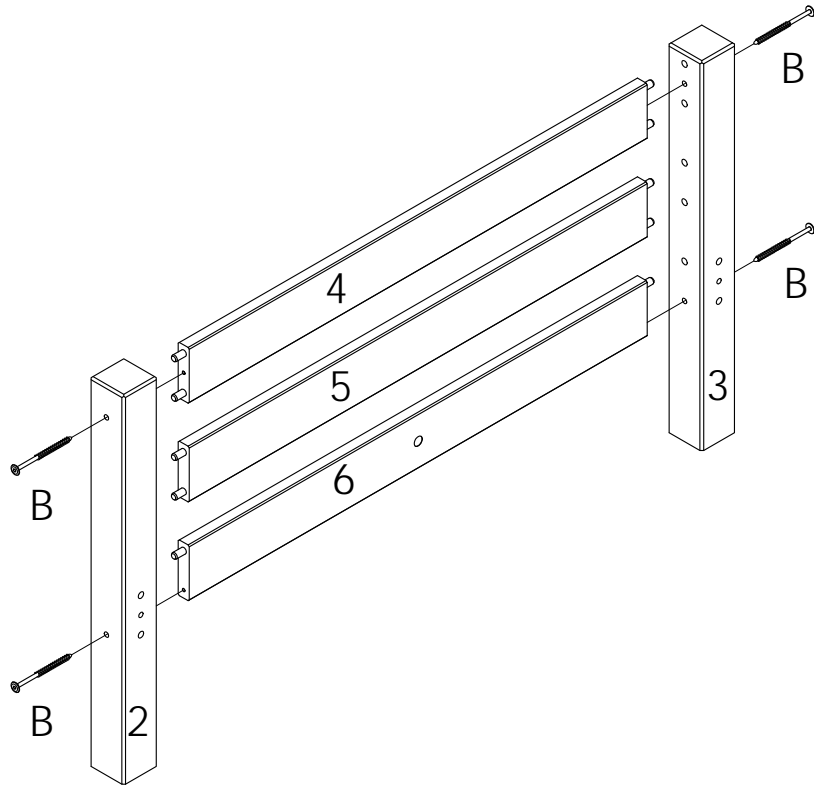


A		10x40	x28
---	--	-------	-----

2

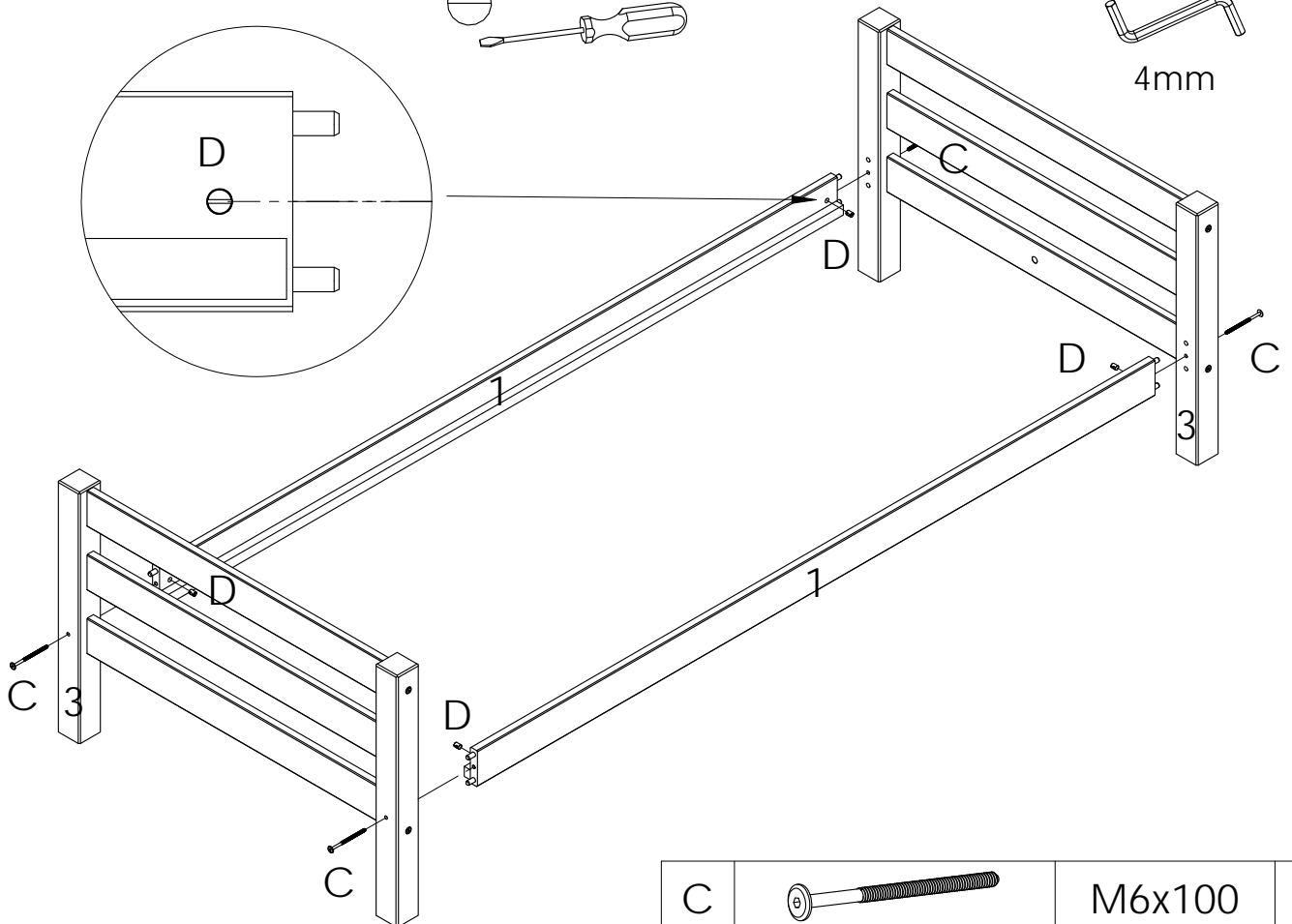
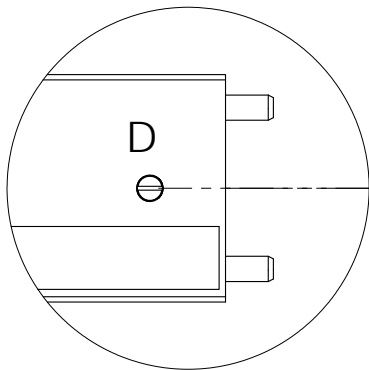
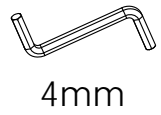
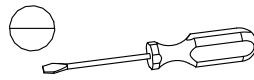


2 x



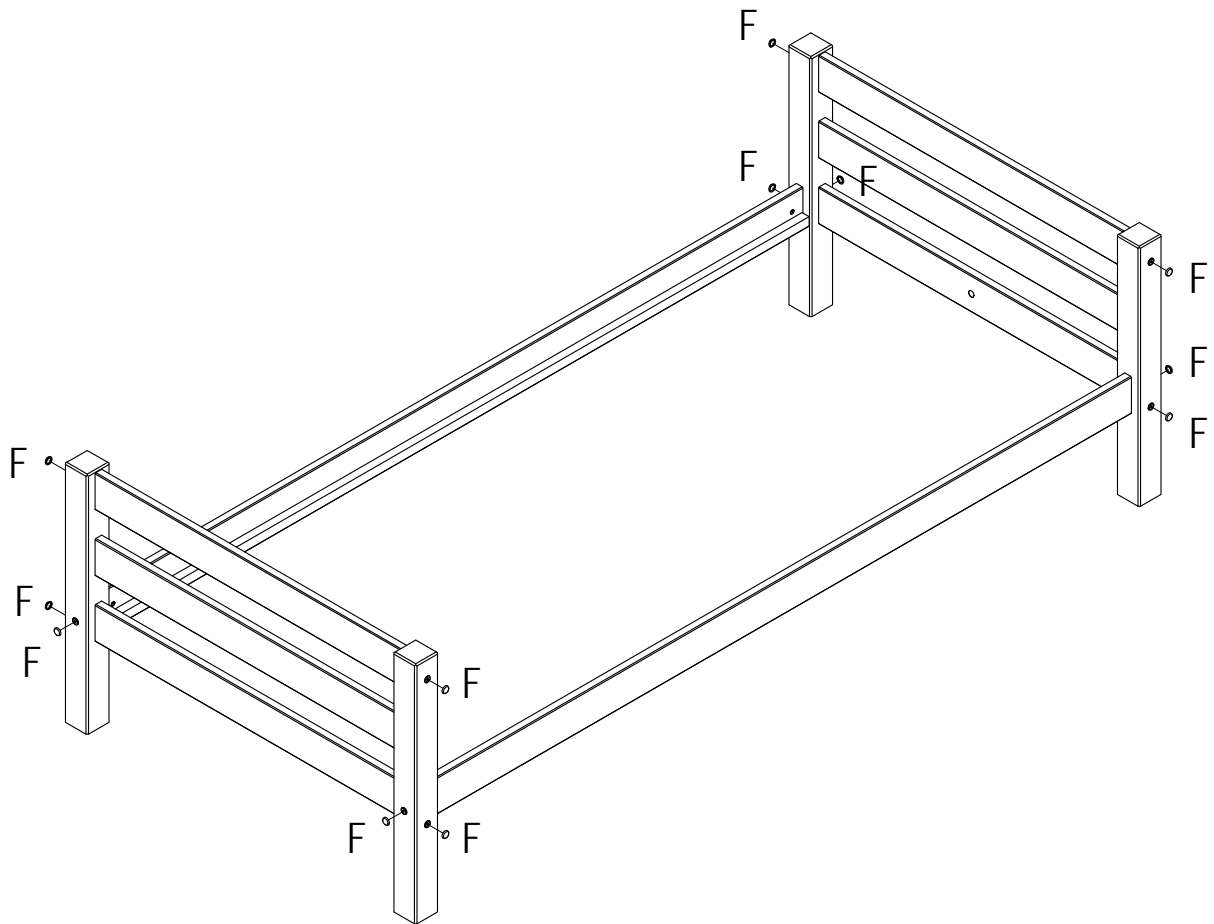
B		6,3x105	x8
---	--	---------	----

3



C		M6x100	x4
D		M6x10x13	x4

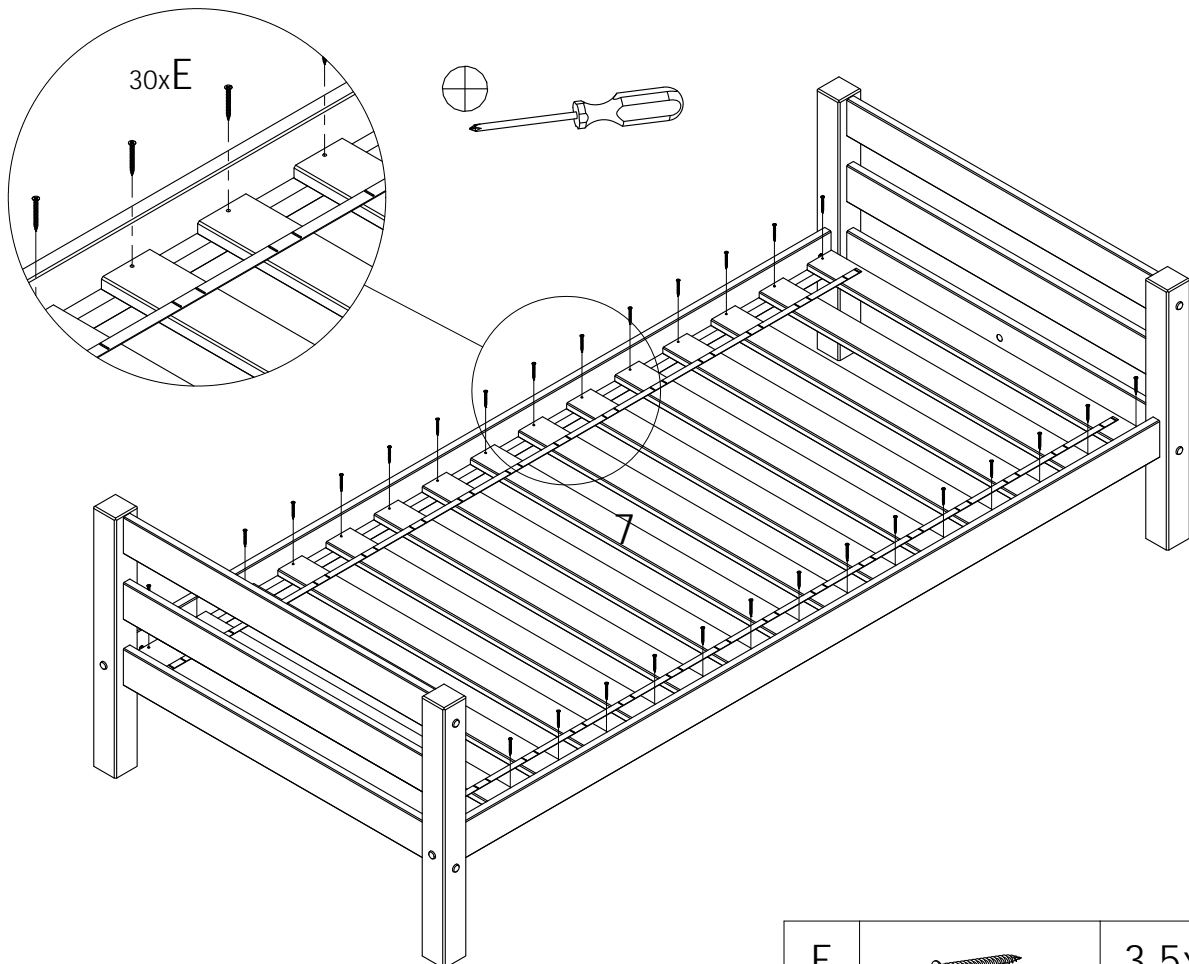
4



F



D15x18 x12



E



3,5x40 x30