

plastia

WORM FARM | VERMIKOMPOSTÉR | WURMKOMPOSTER
COMPOSTERA | LOMBRICOMPOSTEUR | LOMBRICOMPOSTEUR



DESIGN SOLUTIONS by plastia

user guide / Benutzerhandbuch / uživatelská příručka /
používateľská príručka / manual de usuario



No chemicals / Keine Chemie
Bez chemie / Bez chémie
Sin química / Pas d'atchimie



Use at home / Verwenden Sie zu Hause
Používejte doma / Na domácí použití
Use en casa / Utiliser à la maison



Quality fertiliser / Qualitätsdünger
Kvalitní hnojivo / Kvalitné hnojivo
Fertilizante de calidad / Engrais de qualité



What is vermicomposting?

It's a method of composting in which earthworms take care of peels, teabags and other bio-waste from your household. Using a special vessel, the earthworms turn the waste into a vermicompost that is similar in texture to peat, over the course of a few months. Additionally you obtain a liquid called worm tea. Both vermicompost and worm tea are great fertilizers with a high enzyme and mineral content that enhance growth and protect plants from disease. You can use them to fertilize herbs as well as indoor and outdoor plants.

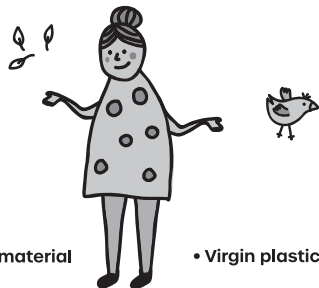
Why to compost at home?

- 40 to 60 percent of household waste is compostable.
- Bio-waste doesn't end up in a dump or incinerator where it doesn't belong.
- You save money for fertilizers and provide your plants with nutrients without chemicals.
- You will have a fertilizer with high content of nutrients and enzymes for optimal plant growth.
- You have a year-around supply of compost for your plants.
- Your kids and grandkids gain practical knowledge of life cycles.

Basic Description

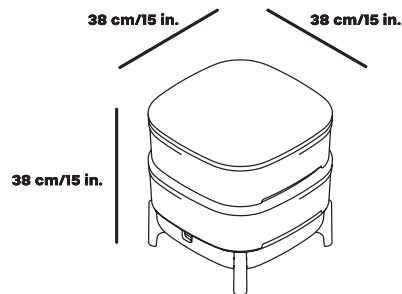
The worm farm is an interior container in which earthworms transform organic waste from households into vermicompost and worm tea. This way you get a high-quality 100% organic fertilizer for growing both indoor and outdoor plants.

If you are holding the product, which has been made of recycled material (gray), you should know, that slight colour instability is a natural property of this material, and so the colours of the individual parts of the product might differ slightly. You may also notice minor visual defects such as coloured dots or shiny smudges, but these do not affect the function of the product.



• Recycled material

• Virgin plastic



When using the basic set containing two trays.

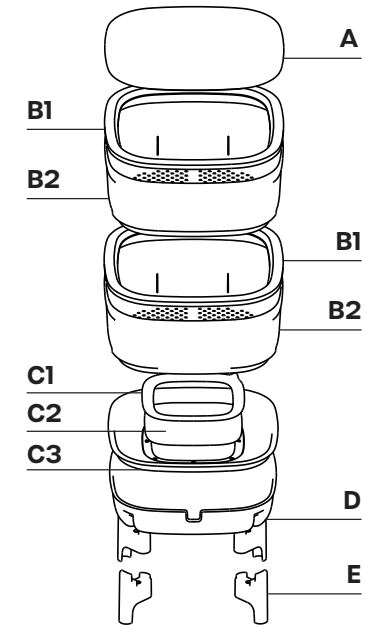
B1: 15 l

B2: 15 l

C = 2 l (worm tea)

What will you find in the worm farm package?

- Lid (A)
- Tray frame 2x (B1)
- Composting tray 2x (B2)
- Filter frame (C1)
- Filter textile 3x (C2)
- Filter screen - main part (C3)
- Bottom part (D)
- Legs 4x (E)



How do you assemble the worm farm?

- Remove the worm farm from the packaging.
- Remove the lid (A) and separate the frame (B1) from the composting tray (B2). Gradually separate the frame (B1) around the edge to avoid damaging it (do not try to pry it open). Remove and separate the individual parts of the worm farm.
- Place the frames (B1) on the composting trays (B2). Gradually attach the frames around the perimeter of the composting tray to avoid damaging them. The grooves of the frames must fit at the edges of the composting trays. This will result in two composting trays (B1, B2) - upper and lower.
- Insert the legs (E) into the bottom part (D); insert the filter screen (C3).
- Turn the filter frame (C1) so that the tabs are facing upwards. Attach the filter textile (C2) to the frame so that the holes in the textile align with the frame tabs (C1,C2).
- Place the assembled filter frame (C1, C2) on the filter screen (C3). Push it until it clicks into place.
- Now install one assembled composting tray (B1, B2).
- Start composting with the bottom part (D) and the lower composting tray (B1, B2).
- The upper composting tray (B1, B2) will remain empty for the time being. Its time will come when you have filled the lower composting tray (B1, B2).
- Pour out the worm tea by tilting the bottom part (D) in which the pouring outlet is located.
- The package also includes a replacement filter textile (C2).

How do you use the worm farm?

- Place the lower composting tray (B1, B2) on the bottom part (D) with the assembled filter screen assembly (C1, C2, C3).
- On the lower composting tray (B1, B2) make some bedding from the paper packaging of the worm farm. Tear the packaging into small pieces. You can use other paper as an alternative.
- Place a hatch of earthworms on the bedding.
- Cover the earthworms with a layer of finely chopped biowaste.
- Close the assembled worm farm with the lid (A).
- After 2 to 3 months, place the upper composting tray (B1, B2) with prepared bedding onto the full lower composting tray (B1, B2). Create a pile in the middle of the full lower composting tray (B1, B2) so that the earthworms can move more easily to the upper composting tray (B1, B2).

Composting step by step, in detail

- Make bedding from damp crumpled paper on the bottom of the lower composting tray (B1, B2). One layer is enough. The box your Urbalive worm farm came in is perfect to use for this purpose. But you can also use egg cartons, newspaper, rolls of toilet paper, grass, leaves, peat, wood shavings or coconut fiber.
- Put your earthworm hatch on the bedding. For start, one pound (0.5 kg) of earthworms will be sufficient. For those counting, it would be about two hundred earthworms. We'll tell you later in these instructions where to get your worms.
- Then cover the earthworms and the entire bottom of the composting tray (B1, B2) with a 2 to 3 cm thick layer of biowaste cut into small pieces.
- For the first month, feed the earthworms once or twice a week with a handful of bio-waste. Beware of overfeeding. Otherwise the earthworms won't manage to process the bio-waste and it begins to go mouldy. If this happens, simply remove the mouldy parts from the worm farm.
- As there are more earthworms, you can increase the volume of the bio-waste. In about three months the worm farm manages to process approximately half a pound (quarter of a kilo) of bio-waste per day. This is approximately the amount produced daily by a four-member family.
- Check the moisture level several times a week.
- Once a week carefully rake through the content of the worm farm and see how the earthworms are doing. This also nicely aerates the compost.
- Keep the worm farm closed, the earthworms like darkness.
- In about two months, the worm farm begins to create the earthworm tea, a liquid product of composting. It flows into the bottom part (D) with the pouring outlet. Remove the earthworm tea about once or twice a month, depending how much is formed. Wash out the bottom tray of the worm farm every time you tap off the earthworm tea.
- When the lower composting tray (B1, B2) is completely full, add a handful of biowaste in the middle to create a mound. Press the upper composting tray onto the lower composting tray (B1, B2) and start putting biowaste into it. The earthworms either climb to the upper composting tray (B1, B2) by themselves through the holes in the bottom, or you can help them by moving some earthworms to the upper composting tray (B1, B2). Leave the lower composting tray (B1, B2) in the worm farm for one more month. During this time, all the earthworms will climb to the upper composting tray (B1, B2) and the material in the lower composting tray (B1, B2) will transform into vermicompost. If you need to use the fertilizer immediately, you can spread it in a thin layer on an underlay and make a mound in the middle. The worms will move from the thin layer to the mound.

- Then empty the vermicompost from the lower composting tray (B1, B2), fertilize your plants and rinse the tray. The lower composting tray (B1, B2) thus becomes empty. For now add it empty to the composter or set it aside until you fill the tray in which you are composting at the moment. Then repeat the entire cycle with moving the earthworms to the upper floor. And so on, over and over.

What goes in a worm farm:

- Peels and leftovers of fruits and vegetables (for example potato peels, apple cores, green tops, etc.)
- Tea bags (earthworms often like to reproduce in them, so don't forget them)
- Coffee grounds, coffee filters
- Leftovers of boiled vegetables
- Crushed eggshells
- Paper napkins
- Dampened paper carton
- Dry baked goods
- Leftovers of house or outdoor plants



TIP: Chop large pieces into smaller, the worms will process them better.

What doesn't go in a worm farm:

- flavor-intensive foods such as ginger or an excessive amount of citruses
- milk products
- meat products
- bones
- oil, lard and other fats



TIP: In the beginning of composting, don't dispose of leftovers of stalk vegetables or potato peels. The initial small number of worms cannot process them with their enzymes and the leftovers could smell.

Where to put the worm farm?

- Your worm farm can stand in the kitchen, in the hallway, in the shade on the balcony, in the garage, in the classroom or in the office. If you maintain a few simple rules, you don't need to be afraid that the contents of the worm farm would smell badly.
- **Keep at an adequate temperature.** The earthworms like a temperature around 68 °C (20 °C). In the winter, don't leave the worm farm outside without insulation, so that it wouldn't freeze through. In the summer, don't put it directly in the sun, where it would overheat and dry up. The temperature in the worm farm should not drop below 41 °F (5 °C) and exceed 77 °F (25 °C).
- **Keep the vermicompost at the right humidity level.** Check the correct moisture level in the worm farm by taking a handful of the composted material and pressing it in your palm as hard as possible. If a few droplets of water appear, the moisture level is ideal. If more water appears, you should dry up the compost, for example with shredded paper or carton. If the drops of water fail to appear, moisten the compost with a water spray or by adding dampened shredded paper or carton from a box or an egg crate. The number



+5»+25°C

of earthworms may decrease if optimal humidity is not provided. Earthworms like the dark, so do not place the worm composter in the direct sunlight. The best place for earthworms is in the shade.

Which earthworms should I use for the worm farm?

There is a particular species of earthworms that was bred specifically for composting and that you should use in your worm farm. They are called the California hybrid or tiger worms (in Latin it's *Eisenia andrei*). Unlike their common relatives known as redworms (*Eisenia fetida*), tiger worms are much more eager to eat, that is to compost, and reproduce faster. You can buy the tiger worms can be bought from specialized sellers. Please be aware that in hot summer months it's not possible to send earthworms in mail. You should also select a seller who will send you earthworms including compost (that is not just clean worms in a box).

How to use vermicompost and worm tea?

Vermicompost is the best fertilizer you can give your plants. It contains active enzymes and minerals. It is added to soil in planters of indoor plants or directly on the plant bed. If you mix vermicompost with soil, you can use it as a classic substrate. It's also effective as a starter for plant germination process. Earthworm tea is an excellent liquid fertilizer for herbs, indoor plants as well as the garden. It contains high levels of nutrients and enzymes that promote growth and help build plant resistance against pests. You can tap off the earthworm tea into a plastic or glass bottle. It's best diluted with water in the 1:9 ratio. Use the diluted earthworm tea to water plants or spray it on their foliage.

When it doesn't work as it should...

The worm farm exudes odor: A properly maintained vermicomposter doesn't have an unpleasant smell. If the odor appears, it's most often because the earthworms can't manage to process all the bio-waste, therefore lower its amount. The unprocessed waste also causes high humidity of the composted material, that then rots and exudes odor. Dry the contents of the worm farm with pieces of shredded paper, newspaper, cartons or paper egg crates. Another reason for an unpleasant odor may be remnants of stalk vegetables or potatoes. These are best introduced to composting only after a few months, when the earthworms are sufficiently active for timely processing.

The lack of earthworms: A lack of earthworms is a signal that the earthworms aren't breeding in the Worm Farm, because they don't feel well in it. Try to change the composition of bedding and bio-waste and also fine-tune the moisture level of the composted material.

Too many earthworms: If you have a lot of small earthworms in the worm farm, you can donate them to someone. You shouldn't let them out because they may not be a native species and are not used to cold, so they wouldn't survive a winter.

The earthworms drop through: If any earthworms accidentally fall into the bottom part (D), return them to the lower composting tray (B2) and check that the filter textile grid is correctly positioned.

Mould: Should mould appear in the worm farm, it is most often because the earthworms can't manage to process the bio-waste, so decrease its amount. Remove the mouldy pieces. If there is only a little bit of mould, simply cover it with a layer of composted bio-waste.

The worm farm mix is too moist: Should in the worm farm material be too moist, add pieces of shredded paper, newspaper or paper egg crates. Leave the lid slightly ajar until the moisture level drops.

The worm farm mix is too dry: Should in the worm farm material be too dry, moisten it with a water spray or pieces of shredded dampened paper, newspaper or paper egg crates.

Earthworm escapes: When the earthworms have plenty of moisture and food, they have no reason to run. Even then, should this happen, make sure the worm farm isn't too dry and if so, moisten it with a water spray or pieces of dampened paper. Further check that all parts of the worm farm fit tightly. The earthworms have no way to escape a properly assembled Urbalive worm farm.

Holiday: Holiday is no problem. Earthworms can easily make it for two weeks without food. But they survive without food a maximum to four weeks.

Worm farm maintenance and cleaning.

After pouring out the worm tea from the vermicomposter, wash the bottom part with the pouring outlet. Also wash the composting tray from which you removed the mature compost. Simply wash both parts with dishwashing liquid and rinse thoroughly. You can rinse the filter textile under warm running water, or replace it with the spare one you will find in the package.

Disassembling:

Disassemble the worm farm in the same way as you assembled it. Separate the individual trays, remove the filter textile and cover felt, and remove the feet from the bottom part.

Spare Parts:

Do you need any spare parts for your worm farm? On the website www.plastia.eu or by your dealer, you can buy the following spare parts.

Disposal:

Send the plastic parts of the composter for ecological disposal, either by placing them in a container for plastics (the plastic parts) or by taking them to a local collection yard. Dispose of the filter textile in mixed waste. The disposal must be carried out in compliance with the appropriate government directive (European directive) - Act 185/2001 (2002/95/EC) on Waste and amendments to certain other acts, as amended.

Warranty conditions:

The worm farm comes with a warranty of 24 months from the date of receipt. The warranty is only provided for justified cases and covers material and manufacturing defects. The warranty is only valid if the product is used according to the operating instructions.



Was ist Wurmkompostierung?

Es ist eine Art der Kompostierung, bei der für die Schalen, Tee-Beutel und andere organische Abfälle von Haushalten die Kompostwürmer sorgen. Die Kompostwürmer verwandeln die Abfälle in einigen Monaten in einem speziellen Behälter – Wurmkomposter genannt – zu Wurmkompost (derin seiner Struktur der Torferde ähnelt). Als zweites Produkt gewinnen Sie den sogenannten Wurmtee. Sowohl Wurmkompost als auch Wurmtee sind hochwertige organische Naturdünger mit hohem Enzymgehalt, die beim Pflanzenwachstum helfen und Pflanzen vor Krankheiten schützt. Beide Dünger können Sie sowohl für Ihre Zimmerpflanzen als auch für Kräuter und Pflanzen im Freien verwenden.

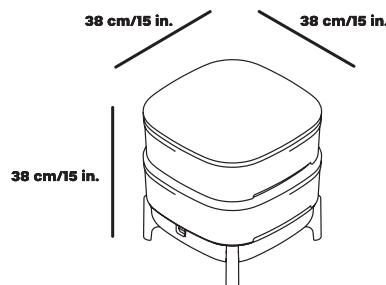
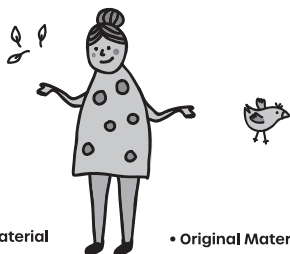
Warum in der eigenen Wohnung kompostieren?

- 40 bis 60 Prozent des Mülls aus dem Haushalt sind kompostierbar
- Biomüll sollte nicht auf die normale Deponie oder in die Müllverbrennungsanlage gefahren werden, wo er nicht hingehört
- Sie sparen beim Dünger und gönnen Ihren Pflanzen und Kräutern Nährstoffe ohne Chemie
- So erhalten Sie einen Dünger - reich an Nährstoffen und Enzymen - für das richtige Pflanzenwachstum
- Sie schaffen sich eine ganzjährige Kompostversorgung für Ihre Pflanzen
- Sie können Ihre Kinder und Enkelkinder über die natürlichen Zyklen aufklären

Grundbeschreibung

Es handelt sich um einen Komposter für Ihre Küche, in dem die kalifornischen Würmer die Pflanzenreste aus dem Haushalt zum Wurmkompost und Wurmtee umwandeln. So erhalten Sie einen hochwertigen 100% organischen Dünger für Zimmer- und Gartenpflanzen.

Wenn Sie in den Händen ein Produkt aus recyceltem Material (grau) halten, wir machen Sie aufmerksam, Einzelteile des Produkts können unterschiedliche Farben aufweisen. Das ist natürliche Eigenschaft des recycelten Materials. Es können auch kleinere optische Mängel wie farbige Punkte oder glänzende Flecken auftreten, die jedoch die Funktion des Produkts nicht beeinflussen.



Bei Verwendung eines Grundsets vom Wurmkomposter mit zwei Wurmbetten.

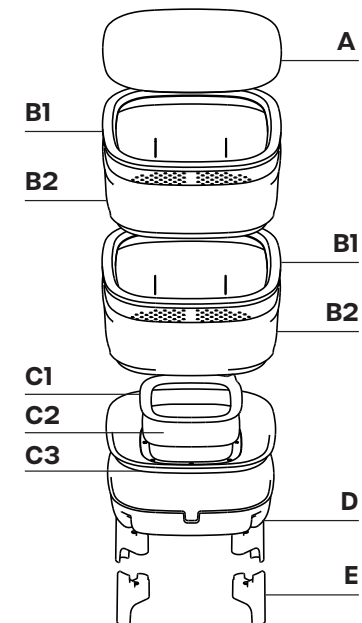
B1: 15 l

B2: 15 l

C: 2 l (Wurmtee)

Was finden Sie in der Packung des Wurmkomposters?

- Deckel (A)
- Wurmbettrahmen 2x (B1)
- Wurmbett 2x (B2)
- Rahmen des Filtersiebs (C1)
- Filtergewebe 3x (C2)
- Filtersieb – Hauptteil (C3)
- Unterteil (D)
- Füße 4x (E)



Wie baut man den Wurmkomposter zusammen?

- Packen Sie den Wurmkomposter aus.
- Entfernen Sie den Deckel (A) und trennen Sie den Rahmen (B1) von dem Wurmbett (B2). Trennen Sie den Rahmen (B1) allmählich am Umfang ab, um ihn nicht zu beschädigen (keine Hebelwirkung anwenden). Nehmen Sie alle Einzelteile des Wurmkomposters heraus und trennen Sie sie.
- Legen Sie die Rahmen (B1) auf die Wurmbetten (B2). Legen Sie den Rahmen einzeln um den Rand herum auf das Wurmbett, um es nicht zu beschädigen. Die Rillen des Rahmens müssen in die Ränder des Wurmbettes passen. Nach dem Zusammenbau entstehen zwei Wurmbetten (B1, B2) - ein Oberes und ein Unteres.
- Stecken Sie die Füße (E) in das Unterteil (D), setzen Sie das Filtersieb (C3) ein.
- Rahmen für Filtergewebe (C1) drehen Sie um. Filtergewebe (C2) mit vorgepressten Löchern setzen Sie auf die Vorsprünge auf (C1,C2). Zusammengesetzter Filterrahmen (C1,C2) legen Sie in der Mitte des Filtersiebes (C3) und drücken Sie zu.
- Setzen Sie jetzt ein zusammengesetztes Wurmbett (B1, B2) ein.
- Beginnen Sie die Kompostierung mit dem Unterteil (D) und dem unteren Wurmbett (B1, B2).
- Das obere Wurmbett (B1, B2) bleibt vorerst leer. Es kommt an die Reihe erst dann, wenn das untere Wurmbett voll ist (B1, B2).
- Kippen Sie den unteren Behälter (D) und gießen Sie den Wurmtee aus. In dem unteren Behälter befindet sich der Giessschacht.
- In der Verpackung finden Sie auch ein Ersatzfiltergewebe

Wie wird der Wurmkomposter verwendet?

- Legen Sie das untere Wurmbett (B1, B2) auf den Unterteil (D), der mit der Filtersiebeneinheit (C1, C2, C3) ausgestattet ist.
- In dem unteren Wurmbett (B1, B2) machen Sie eine Papierstreu aus der Kiste, in der Sie den Wurmkomposter erhalten haben. Reißen Sie die Kiste in Kleinen Stückchen. Ggf. verwenden Sie ein anderes Papier
- Legen Sie die Würmer auf die Papierstreu.
- Schütten Sie die Würmer mit einer Schicht aus fein gehacktem Bioabfall.
- Schließen Sie den Wurmkomposter mit dem Deckel (A).
- Nach etwa 2 bis 3 Monaten legen Sie das obere Wurmbett (B1, B2) mit der vorbereiteten Streu auf das volle untere Wurmbett (B1, B2). Legen Sie in der Mitte des vollen unteren Wurmbettes (B1, B2) einen Haufen von organischen Abfällen hin, damit die Würmer leichter in das obere Wurmbett (B1, B2) klettern können.

Kompostierung Schritt für Schritt, im Detail

- Stellen Sie eine Einstreu aus angefeuchtetem zerknülltem Papier auf den Boden der unteren Kompostierungsebene (B1, B2) her.
- Kompostwürmer auf die Streu legen. Am Anfang braucht man nur 250 Gramm Kompostwürmer. Das entspricht ca. 200 einzelnen Würmern. Wo man die Kompostwürmer beziehen kann, erfahren Sie im nächsten Teil der Anleitung
- Bedecken Sie dann die Würmer und den gesamten Boden der Kompostierungsebene (B1, B2) mit einer 2-3 cm dicken Schicht aus klein geschnittenem Bioabfall und decken.
- Im ersten Monat die Kompostwürmer ein bis zweimal in der Woche mit einer Handvoll organischem Abfall füttern. Vorsicht: Kompostwürmer nicht überfüttern. Ansonsten können die Kompostwürmer die organischen Abfälle nicht verarbeiten und die Abfälle werden schimmelig. Sollte das passieren, einfach die verschimmelten Stücke entfernen.
- Wenn die Anzahl der Kompostwürmer wächst, kann die Abfallmenge entsprechend erhöht werden. Etwa in 3 Monaten verarbeiten die Kompostwürmer täglich bis zu 250 Gramm organischer Abfälle. Diese Menge etwa produziert pro Tag eine vierköpfige Familie.
- Mehrmals pro Woche die Feuchtigkeit kontrollieren.
- Einmal in der Woche den Inhalt im Wurmkomposter wenden und auflockern. Dabei sollte man schauen, ob die Kompostwürmer i.o. sind. Der Kompost ist somit gleichzeitig schön belüftet.
- Der Wurmkomposter sollte geschlossen bleiben, denn die Kompostwürmer lieben Dunkelheit.
- Etwa zwei Monate später entsteht im Wurmkomposter der sogenannte Wurmtee. Er ist ein flüssiges Produkt der Kompostierung. Dieser fließt in den unteren Teil (D) mit einem Giessschacht ab. Den Wurmtee nehmen Sie einmal oder zweimal im Monat ab, je nach Menge. Nach jedem Abziehen des Wurmtees reinigen Sie den Unterteil
- Wenn die untere Kompostierungsebene (B1, B2) vollständig gefüllt ist, geben Sie eine weitere Handvoll Bioabfälle in die Mitte zu, um einen Haufen zu bilden. Drücken Sie die obere Kompostierungsebene auf die untere Kompostierungsebene (B1, B2) und beginnen Sie mit der Zugabe von Bioabfällen. Die Regenwürmer kriechen entweder von selbst durch die Öffnungen im Boden in die obere Kompostierungsebene (B1, B2), oder Sie können ihnen helfen und einige der Regenwürmer in die obere Kompostierungsebene (B1, B2) bringen. Lassen Sie die untere Kompostierungsebene (B1, B2) noch einen Monat lang im Wurmkomposter. In dieser Zeit sind alle Regenwürmer in die obere Kompostierungsebene (B1,

- B2) gekrochen, und das Material in unterer Kompostierungsebene (B1, B2) wird in Wurmkompost umgewandelt. Allerdings, wenn Sie den Dünger sofort verwenden, verteilen Sie den Wurmkompost auf einer Matte in einer dünnen Schicht mit dem Haufen in der Mitte. Die Kompostwürmer ziehen hinein.
- Anschließend leeren Sie den Wurmkompost aus der unteren Kompostierungsebene (B1, B2), düngen die Pflanzen und spülen den Boden aus. Die untere Kompostierungsebene (B1, B2) wird jetzt leer. Legen Sie dieses beiseite, bis das Wurmbett, in dem gerade kompostiert wurde, wieder voll ist. Und der Zyklus wird immer so wiederholt

Was gehört in einen Wurmkomposter?

- Gemüse- und Obstabfälle und sonstige Grünschnittreste
- Teebeutel (in Teebeuteln vermehren sich die Regenwürmer oft) und abgekühlter Kaffeesatz
- Reste von gekochtem Gemüse
- zerkleinerte Eierschalen
- Papierreste, Papierservietten, feuchte Pappe, Kaffeefilter
- trockene Brotreste
- Blumen- und sonstige Grünschnittreste



HINWEIS: Große Stücke sollten klein geschnitten werden, um den Kompostwürmern ihr Arbeit zu erleichtern.

In einen Wurmkomposter gehört nicht:

- Lebensmittel mit unverwechselbarem Geschmack, wie Ingwer oder große Mengen von Zitrusfrüchte
- Fleisch und Milchprodukte
- Knochen
- Öl, Schmalz und andere Fette



HINWEIS: Zu Beginn der Kompostierung werfen Sie keine Reste von Kohlgemüse oder Kartoffelschalen hinein. Vermeiden Sie die Gerüche, die durch mangelhafte Zersetzung (bei kleiner Anzahl von Kompostwürmern) anfangs entstehen.

Wo soll der Urbalve Wurmkomposter hingestellt werden?

- Der Wurmkomposter kann in der Küche, im Flur, im Schatten auf dem Balkon, in der Garage oder im Klassenzimmer oder Büro aufgestellt werden. Wenn ein paar Regeln befolgt werden, stinkt der Wurmkomposterinhalt nicht.
- **Halten Sie die angemessene Temperatur ein.** Eine Temperatur um 20 °C bekommt den Kompostwürmern gut. Im Winter soll der Wurmkomposter nicht ohne Isolierung draußen bleiben, er darf nicht durchfrieren. Im Sommer darf der Wurmkomposter nicht in der direkten Sonne stehen, sonst trocknet er aus. Die Temperatur im Wurmkomposter sollte nicht unter 5 °C fallen und 25 °C nicht überschreiten.
- **Halten Sie die richtige Feuchtigkeit des Wurmkompostes aufrecht.** Die richtige Feuchtigkeit der Mischung im Wurmkomposter ist zu überprüfen, so dass Sie eine



+5» +25°C

Handvoll vom kompostierten Material nehmen und es festdrücken. Die ideale Feuchtigkeit ist, wenn ein paar Wassertropfen entstehen. Wenn zu viel Wasser entsteht, sollte der Kompost mit dem Papier oder Pappe ausgetrocknet werden. Falls keine Wassertropfen entstehen, muss der Kompost mit einem Sprühgerät oder nassen Papierschnitzeln (Zeitungen, Eierschachteln etc.) befeuchtet werden. Die Regenwürmer mögen Dunkelheit, setzen Sie also den Wurmkomposter dem direkten Sonnenlicht nicht aus. Sie fühlen sich am besten im Schatten.

Wo bekomme ich die Würmer her und welche Würmer passen in den Wurmkomposter?

In den Wurmkomposter passt eine besondere Art von Würmern, die speziell für die Kompostierung gezüchtet wird. Oft als Californian Hybrid genannt (lateinisch Eisenia andrei). Kalifornische Würmer haben einen größeren Appetit und vermehren sich schneller. Kalifornische Würmer sind im Fachhandel zu erhalten. Seien Sie sich bewusst, dass in den heißen Sommermonaten die Würmer nicht per Post gesendet werden können. Wählen Sie aus den Wurmhändlern nur solche aus, die die Würmer in einer Dose mit einer kleinen Kompostmenge verschicken (nicht nur reine Würmer in einer Box).

Wozu passt der Wurmkompost und der Wurmtee?

Wurmkompost ist der beste Dünger, den Sie Ihren Pflanzen geben können. Enthält wirksame Enzyme und Mineralstoffe. Er wird in den Blumentöpfen in die Erde oder direkt auf die Beete gegeben. Der Wurmkompost mit der Erde gemischt kann als Standardsubstrat verwendet werden. Wirkt aber auch als Starter beim Keimungsprozess der Pflanzen. Wurmtee ist ein ausgezeichnete Flüssigdünger für Kräuter, Zimmerpflanzen aber auch für den Garten. Der Wurmtee ist reich an Nährstoffen und Enzymen, er hilft den Pflanzen beim Wachstum und schützt gegen Schädlinge. Der Wurmtee kann in eine Kunststoff- oder Glasflasche abgefüllt werden. Idealerweise verdünnt man Tee mit Wasser im Verhältnis 1 : 9. Mit diesem verdünnten Wurmtee gießen Sie Ihre Pflanzen oder besprühen Sie die Pflanzenblätter damit.

Wenn es nicht geht, wie es gehen sollte...

Wurmkomposter stinkt: Ein richtig gepflegter Wurmkomposter stinkt nicht. Wenn er stinkt, schaffen die Kompostwürmer die Verarbeitung der organischen Abfälle nicht. Reduzieren Sie die Menge von organischen Abfällen. Große Mengen der nicht verarbeiteten organischen Abfälle verursacht hohe Feuchtigkeit und die organischen Abfälle verwesen und stinken. Der Inhalt des Wurmkomposters kann mit Papier, Zeitungen oder Eierschachteln getrocknet werden. Geruch könnte von Kohlgemüseresten oder Kartoffeln stammen. Diese sollten erst nach ein paar Monaten in die Kompostierung einbezogen werden, wenn die Kompostwürmer aktiv genug sind

Zu wenig Kompostwürmer: Wenn in dem Wurmkomposter wenig kleine Kompostwürmer sind, es ist ein Signal, dass die Kompostwürmer sich nicht vermehren. Versuchen Sie die Streustruktur und die Struktur der organischen Abfälle zu ändern. Die Feuchtigkeit sollte auch besser eingestellt werden.

Zu viel Kompostwürmer: Wenn in dem Wurmkomposter viele kleine Kompostwürmer sind, schenken Sie diese jemandem. Sie können auch uns kontaktieren, gerne nehmen wir Ihre Kompostwürmer an. Bitte die Kompostwürmer nicht in die freie Natur setzen. Es ist keine heimische Wurmart, die an den Winter nicht gewöhnt ist und die Würmer überleben es nicht.

Die Regenwürmer fallen durch: Sollten versehentlich Regenwürmer in den unteren Teil (D) fallen, bringen Sie sie in die untere Kompostierungsebene (B2) zurück und überprüfen Sie, ob das Filtergewebe richtig positioniert ist.

Schimmel: Wenn im Wurmkomposter Schimmel zu sehen ist, schaffen es die Kompostwürmer nicht, die organischen Abfälle zu verarbeiten. Reduzieren Sie die Menge. Entfernen Sie die verschimmelten Stücke. Wenn im Wurmkomposter nur wenig Schimmel ist, sollte er mit einer Schicht kompostierter organischer Abfälle zugedeckt werden

Ist die Mischung im Wurmkomposter zu nass? Wenn die Oberfläche des Wurmbettes zu nass ist, sollen Zeitungstücke, Papierstücke oder Eierschachteln hinzugefügt werden. Den Deckel nicht halb offenlassen, bis die Feuchtigkeit zurück geht.

Ist die Mischung im Wurmkomposter zu trocken? Wenn die Oberfläche des Wurmbettes zu trocken ist, sollte mit einem Sprühgerät oder nassen Papierschnitzeln (Zeitungen, Eierschachteln etc.) befeuchtet werden.

Wurmflucht: Wenn die Kompostwürmer genügend Feuchtigkeit und genügend Nahrung haben, haben sie keinen Grund zu fliehen. Sollten die Würmer aus der Masse entfliehen, muss sichergestellt werden, dass die Oberfläche des Wurmbettes nicht zu trocken ist, bzw. Sie sollte mit einem Sprühgerät befeuchtet werden. Außerdem sollte noch überprüft werden, dass alle Teile des Wurmkomposters dicht geschlossen sind. Wenn der Wurmkomposter richtig aufgestellt ist, finden die Kompostwürmer keinen Weg hinaus.

Urlaub: Urlaub ist kein Problem. Die Kompostwürmer überleben problemlos auch einen zweiwöchigen Hungerstreik. Ohne Nahrung halten die Kompostwürmer aber höchstens vier Wochen durch.

Wartung und Reinigung des Wurmkomposters:

Wenn Sie den Regenwurmtee aus dem Wurmkomposter entnehmen, waschen Sie den unteren Teil mit dem Giessschacht aus. Spülen Sie auch die Kompostierungsebene aus, aus der Sie den fertigen Kompost entnommen haben. Waschen Sie einfach beide Teile mit Geschirrspülmittel und spülen Sie sie gründlich ab. Sie können das Filtergewebe unter fließendem warmem Wasser ausspülen oder es durch das mitgelieferte Ersatzgewebe ersetzen.

Demontage: Bauen Sie den Wurmkomposter Economy auf die gleiche Weise auseinander, wie Sie ihn zusammengebaut haben. Trennen Sie die einzelnen Etagen voneinander, entfernen Sie das Filtergewebe, den Abdeckfilz und demontieren Sie die Füße vom Unterteil.

Ersatzteile: Benötigen Sie Ersatzteile für Ihren Wurmkomposter? Unter www.plastia.eu bieten wir Ihnen die Möglichkeit, Ersatzteile nachzukaufen.

Entsorgung: Geben Sie die Kunststoffteile des Wurmkomposters zur umweltgerechten Entsorgung ab, entweder im Kunststoffbehälter (Kunststoffteile) oder bei der Sammelstelle Ihres Wohnortes. Entsorgen Sie das Filtergewebe mit dem gemischten Abfall. Die Entsorgung muss in Übereinstimmung mit den Regierungsverordnungen (europäische Richtlinien) erfolgen - Gesetz Nr. 185/2001 Slg. (2002/95/EC) über Abfälle und über Änderung einiger anderer Gesetze in der jeweils gültigen Fassung.

Garantie: Auf den Wurmkomposter Economy wird eine Garantie von 24 Monaten ab dem Lieferdatum gewährt. Die Garantie wird nur in begründeten Garantiefällen gewährt, nämlich bei Material- oder Herstellungsfehlern. Die Garantie gilt nur, wenn das Produkt in Übereinstimmung mit der Bedienungsanleitung verwendet wird.

Co je vermikompostování?

Je to způsob kompostování, při kterém se o slupky, čajové pytlíky a další bioodpad z domácnosti postarají žížaly. Tento odpad žížaly ve vermikompostéru za několik měsíců promění ve vermikompost, který se strukturou podobá rašelině. Navíc získáte i žížalí čaj. Vermikompost i žížalí čaj jsou skvělá hnojiva s vysokým obsahem enzymů a minerálních látek, které pomáhají růstu a chrání rostliny před nemocemi. Lze je používat ke hnojení bylinek a pokojových nebo venkovních rostlin.

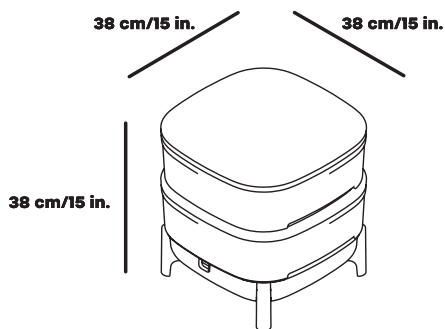
Proč kompostovat doma?

- 40 až 60 procent odpadků z domácnosti můžete kompostovat.
- Bioodpad neskončí na skládce či ve spalovně odpadu, kam nepatří.
- Ušetříte za hnojivo a svým rostlinám dopřejete živiny bez chemie.
- Budete mít hnojivo s vysokým obsahem živin a enzymů pro správný růst rostlin.
- Máte celoroční přísun kompostu pro vaše rostliny.
- Vaše děti či vnoučata získají praktické znalosti o přírodních cyklech.

Základní popis

Jedná se o interiérovou nádobu, ve které žížaly přemění rostlinné zbytky z domácnosti na vermikompost a žížalí čaj. Získáte tak vysoce kvalitní 100% organické hnojivo pro pěstování pokojových i venkovních rostlin.

V případě, že v rukou držíte výrobek z recyklovaného materiálu (šedý), rádi bychom Vás upozornili, že jeho přirozenou vlastností je mírná barevná nestálost. Jednotlivé části produktu proto mohou mít drobně odlišné zbarvení. Mohou se také objevit drobné vizuální vady jako barevné tečky či lesklé šmouhy, které však neovlivňují funkci produktu.

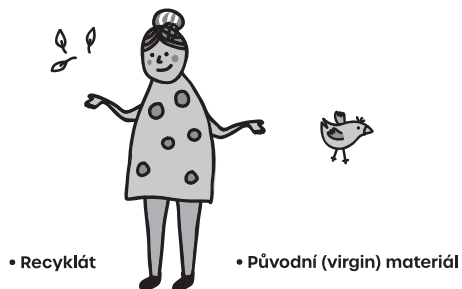


Při použití základní sestavy vermikompostéru se dvěma patry.

B1: 15 l

B2: 15 l

C: 2 l (žížalího čaje)

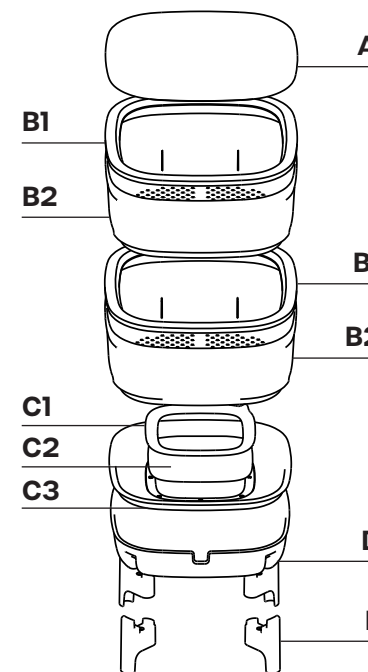


• Recyklát

• Původní (virgin) materiál

Co najdete v balení vermikompostér?

- Víko (A)
- Rámeček patra 2x (B1)
- Kompostovací patro 2x (B2)
- Rámeček filtračního síta (C1)
- Filtrační textilie 3x (C2)
- Filtrační síto - hlavní díl (C3)
- Spodní díl (D)
- Nohy 4x (E)



Jak sestavíte vermikompostér?

- Vermikompostér vybalte z obalu a jednotlivé části oddělte od sebe.
- Sejměte víko (A) a oddělte rámeček (B1) od kompostovacího patra (B2). Rámeček (B1) oddělujte postupně po obvodu, aby nedošlo k jeho poškození (nepoužívejte páčivý pohyb).
- Na kompostovací patra (B2) nasadte rámečky (B1). Rámečky nasazujte na kompostovací patra postupně po obvodu, tak aby nedošlo k jejich poškození. Musí dojít k zapadnutí drážek rámečků na okraje kompostovacích pater. Tímto sestavením vzniknou dvě kompostovací patra (B1, B2) - horní a dolní.
- Do spodního dílu (D) zasuněte nohy (E), vložte filtrační síto (C3).
- Filtrační textilii (C2) položte na filtrační síto (C3) a zatlačte rámečkem filtračního síta (C1) na filtrační textilii (C2) do úplného zacvaknutí.
- Nyní nasadte jedno sestavené kompostovací patro (B1, B2).
- Kompostovat začnete se spodním dílem (D) a s dolním kompostovacím patrem (B1, B2).
- Horní kompostovací patro (B1, B2) zatím zůstane prázdné. To přijde na řadu, až dolní kompostovací patro zaplníte (B1, B2).
- Žížalí čaj vylévejte nakloněním spodní nádoby (D), ve které je umístěn vylévací otvor.
- V balení naleznete také náhradní filtrační textilii (C2).

Jak používat vermikompostér?

- Dolní kompostovací patro (B1, B2) umístěte na spodní díl (D) opatřený sestavou filtračního síta (C1, C2, C3).
- V dolním kompostovacím patře (B1, B2) vyrobte podestýlku z papírového obalu ve kterém byl vermikompostér zabalen. Obal roztrhejte na kousky. Případně použijte jiný papír.
- Na podestýlku dejte násadu žížal.
- Žížaly pokryjte vrstvou nadrobno nakrájeného bioodpadu.
- Takto připravený vermikompostér uzavřete víkem (A).
- Hlídejte vlhkost, teplotu a dávejte pozor, abyste žížaly nepřekrmovali.
- Po 2–3 měsících položte horní kompostovací patro (B1, B2) s připravenou podestýlkou na plně dolní kompostovací patro (B1, B2). Žížalám vytvořte v naplněném dolním kompostovacím (B1, B2) patře hromádku uprostřed, aby se mohly snáze přestěhovat do horního kompostovacího patra (B1, B2).

Kompostování krok za krokem, podrobně

- Na dně dolního kompostovacího patra (B1, B2) vyrobte podestýlku z navlhčeného zmačkaného papíru. Stačí jedna vrstva. Skvěle se hodí třeba krabice, ve které vám vermikompostér dorazil. Použít můžete i plata od vajíček, noviny, ruličky od toaletního papíru, trávu, listí, rašelinu, hobliny nebo kokosové vlákno.
- Na podestýlku dejte násadu žížal. Do začátku vám bude stačit půl kila žížal. Pro ty, kdo počítají na kusy, je to asi dvě stě žížal. Kde získáte žížaly, se dozvíte v další části návodu.
- Pak žížaly i celé dno kompostovacího patra (B1, B2) pokryjte 2–3 cm silnou vrstvou bioodpadu nakrájeného na malé kousky.
- První měsíc krmte žížaly jednou až dvakrát týdně hrstí bioodpadu. Pozor na překrmování. Jinak žížaly nestíhají bioodpad zpracovávat a ten začne plesnivět. Pokud se vám to přihodí, plesnivé kousky z vermikompostéru jednoduše odstraňte.
- Jak bude žížal přibývat, můžete množství bioodpadu zvyšovat. Asi za tři měsíce zvládne vermikompostér až čtvrt kila bioodpadu denně. Tolik zhruba vyprodukuje za den jedna čtyřčlenná rodina.
- Několikrát týdně kontrolujte vlhkost.
- Jednou týdně obsah vermikompostéru opatrně prohrábněte a podívejte se, jak se žížalám daří. Kompost se tím zároveň hezky provzdušní.
- Vermikompostér zavírejte, žížaly mají rády tmu.
- Asi za dva měsíce se ve vermikompostéru začne tvořit takzvaný žížalí čaj, což je tekutý produkt kompostování. Ten odtéká do spodního dílu (D) s vylévacím otvorem. Žížalí čaj odebírejte jednou až dvakrát za měsíc, podle toho, kolik se ho vytvoří. Po každém stáčení žížalího čaje spodní díl opláchněte.
- Až se dolní kompostovací patro (B1, B2) úplně zaplní, přidejte doprostřed ještě hrst bioodpadu, aby vznikl kopeček. Na dolní kompostovací patro (B1, B2) přimáčkněte horní kompostovací patro a do něj začněte dávat bioodpad. Žížaly do horního kompostovacího patra (B1, B2) převezou buď samy skrz otvory ve dně, nebo jim můžete pomoci a část žížal do horního kompostovacího patra (B1, B2) přestěhovat. Dolní kompostovací patro (B1, B2) nechejte v sestavě vermikompostéru ještě jeden měsíc. Za tu dobu si všechny žížaly převezou do horního kompostovacího patra (B1, B2) a materiál v dolním kompostovacím patře (B1, B2) se přemění ve vermikompost. Pokud však potřebujete hnojivo použít ihned, můžete vermikompost rozprostřít na podložku v tenké vrstvě a vytvořit hromádku. Žížaly se sem z tenké vrstvy přemístí.
- Poté vermikompost z dolního kompostovacího patra (B1, B2) vysypte, pohnojte

rostlinky a patro opláchněte. Z dolního kompostovacího patra (B1, B2) se tak stane patro prázdné. Zatím ho dejte na kompostér prázdné nebo odložte stranou, než zaplníte nové patro, do kterého právě kompostujete. Pak celý koloběh se stěhování žížal do vyššího patra zopakujte. A tak pořád dokola.

Co patří do vermikompostéru?

- odkrojky a zbytky zeleniny a ovoce (třeba bramborové slupky, ohryzky z jablek, zelené natě apod.)
- čajové sáčky (žížaly se v nich často a rády rozmnožují, proto na ně nezapomínejte)
- kávová sedlina, kávové filtry
- zbytky vařené zeleniny
- rozdrčené vaječné skořápky
- papírové ubrusky
- navlhčená papírová lepenka
- suché pečivo na malé kousky
- zbytky pokojových a venkovních rostlin



TIP: Velké kusy nakrájejte na menší, žížaly je lépe zpracují.

Co nepatří do vermikompostéru?

- chuťově výrazné potraviny jako zázvor nebo velké množství citrusů
- mléčné výrobky
- masné výrobky
- kosti
- olej, sádlo a jiné tuky



TIP: Zpočátku kompostování nevhazujte zbytky košťálové zeleniny nebo slupky brambor. Malý počet žížal v počátku nemůže svými enzymy kompost rozložit a tyto zbytky by pak mohly zapáchat.

Kde umístit vermikompostér aneb kam s ním?

- Vermikompostér může stát v kuchyni, na chodbě, ve stínu na balkóně, v garáži nebo ve třídě či kanceláři. Pokud budete dodržovat pár jednoduchých zásad, nemusíte se bát, že by obsah vermikompostéru zapáchal.
- **Dodržujte přiměřenou teplotu.** Žížalám svědčí teplota kolem 20 °C. V zimě nenechávejte vermikompostér venku bez izolace, aby nepromrzl. V létě ho nedávejte na přímé slunce, kde by se přehříval a vysychal. Teplota ve vermikompostéru by neměla klesnout pod 5 °C a přesáhnout 25 °C.
- **Udržujte právnou vlhkost** směsi ve vermikompostéru. Zkontrolujete to tak, že vezmete hrst kompostovaného materiálu a stisknete ji co nejpevněji v dlaní. Pokud se objeví pár kapek vody, je vlhkost ideální. Když se objeví vody více, je potřeba kompost vysušit třeba natrhaným papírem nebo lepenkou. Když se kapky vody neobjeví, zvlhčíte kompost rozprašovačem vody anebo vlhkým natrhaným papírem, navlhčeným kartónem z krabice nebo od vajíček. Žížalám svědčí tma, proto vermikompostér nevystavujte přímému slunci. Nejlépe jim bude ve stínu.



+5»+25°C

Kde získám žížaly a jaký druh potřebuji?

Do vermikompostéru patří speciální druh žížal vyšlechtěný přímo pro kompostování. Říká se mu kalifornský hybrid (latinsky se jmenuje Eisenia andrei). Na rozdíl od své české příbuzné žížaly hnojní (ta nese latinské jméno Eisenia fetida) mají kalifornské žížaly větší chuť k jídlu. Tedy ke kompostování. A také se rychleji množí. Kalifornské žížaly dostanete u specializovaných prodejců. Dejte ale pozor na to, že v horkých letních měsících není možné žížaly posílat poštou. Stejně tak je potřeba vybírat mezi těmi prodejci žížal, kteří vám je pošlou i s kompostem (tedy ne čisté žížaly v krabičce).

TIP: Nejvýhodnější cesta, jak získat kalifornské žížaly, je dostat je od jiného kompostovacího nadšence. Kontakty na další vermikompostáře najdete na stránkách www.mapko.cz. Jedná se o mapu komunitních zahrad a vermikompostérů. Třeba tam najdete souseda v ulici, který vám ještě dnes dá dvě hrsti vermikompostu i se žížalami. Přijďte i svůj kompostér do mapy a nabídněte své přebytky kompostu a žížal.

Jak použít vermikompost a žížalí čaj?

Vermikompost je nejlepší hnojivo, které můžete svým rostlinám dopřát. Obsahuje účinné enzymy a minerální látky. Přidává se k zemině do květináčů pokojových květin nebo přímo na záhon. Pokud vermikompost smícháte se zeminou, může být použit jako klasický substrát. Působí také jako startér při procesu klíčení rostliny. Žížalí čaj je vynikající tekuté hnojivo pro bylinky, pokojové rostliny i zahradu. Obsahuje totiž vysoké množství živin a enzymů, které pomáhají rostlinám růst a udržovat je odolné vůči škůdcům. Žížalí čaj můžete stočit do plastové či skleněné lahve. Ideální je, když čaj zředíte vodou v poměru 1:9. Zředěným žížalím čajem zalévejte rostliny nebo jej rozprašujte na jejich lístky.

Co dělat když...

Vermikompostér zapáchá: Správně vedený vermikompost nezapáchá. Pokud se zápach objeví, je to nejčastěji proto, že žížaly nestačí zpracovávat všechny bioodpad. Snižte proto jeho množství. Nezpracovaný bioodpad má na svědomí i velkou vlhkost kompostovaného materiálu, který potom hnije a zapáchá. Obsah vermikompostéru vysušíte kousky natrhaného papíru, novin nebo kartonů od vajíček. Příčinou zápachu mohou být také zbytky košťalové zeleniny nebo brambor. Tyto je vhodné zapojit do kompostování až po několika měsících, kdy jsou žížaly dostatečně aktivní pro včasné rozložení.

Nedostatek žížal: Je signál, že se žížaly nerozmnožují, protože jim ve vermikompostéru není dobře. Zkuste změnit složení podestýlky a bioodpadu a také vyladte vlhkost kompostovaného materiálu.

Hodně žížal: Jestliže máte ve vermikompostéru hodně malých žížal, můžete je někomu věnovat. Ven byste je pouštět neměli, protože se nejedná o původní druh, a navíc nejsou zvyklé na zimu, a tak by nepřežily.

Žížaly propadávají: Pokud by do spodního dílu (D) náhodou propadly nějaké žížaly, vraťte je zpátky do dolního kompostovacího patra (B2) a zkontrolujte, zda je mřížka s filtrační textilií správně umístěná.

Plíseň: Když se ve vermikompostéru objeví plíseň, je to nejčastěji proto, že žížaly

nestačí bioodpad zpracovávat. Snižte proto jeho množství. Plesnivé kousky odstraňte. A pokud je plísně jen maličko, stačí ji zahrnout vrstvou kompostovaného bioodpadu.

Směs ve vermikompostéru je moc vlhká: Přidejte kousky natrhaného papíru, novin nebo kartonů od vajíček. Nechávejte pootevřené víko, dokud se vlhkost nesníží.

Směs ve vermikompostéru je moc suchá: Zvlhčete ho rozprašovačem nebo kousky natrhaného vlhkého papíru, novin nebo kartonů od vajíček.

Žížalí útěky: Když mají žížaly dostatek vlhka a potravy, nemají důvod utíkat. Pokud se to přece jen přihodí, ujistěte se, že není vermikompostér suchý, případně navlhčete rozprašovačem nebo kousky natrhaného vlhkého papíru. Dále překontrolujte, zda všechny části vermikompostéru dobře doléhají. Ze správně sestaveného vermikompostéru nemají žížaly kudy utéct.

Dovolená: Dovolena není problém. Žížaly bez problémů přečkají i čtrnáctidenní hladovku. Bez potravy však vydrží nejdéle čtyři týdny.

Údržba a čištění vermikompostéru

Když z vermikompostéru odeberete žížalí čaj, spodní díl s vylévacím otvorem vymyjte. Vymyjte také kompostovací patro, ze kterého jste odebrali hotový kompost. Obě části stačí umýt prostředkem na nádobí a důkladně vypláchnout. Filtrační textilií můžete propláchnout pod teplou tekoucí vodou, nebo vyměnit za náhradní, kterou najdete v balení.

Demontáž:

Vermikompostér demontujte stejným způsobem, jako jste ho složili. Oddělte jednotlivá patra od sebe, vyndejte filtrační textilií, zakrývací filc a od spodního dílu odmontujte nohy.

Náhradní díly:

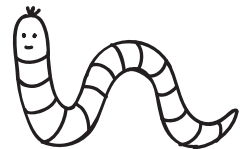
Potřebujete náhradní díly pro svůj vermikompostér? Na www.plastia.eu Vám nabízíme možnost dokoupit náhradní díly.

Likvidace:

Plastové části kompostéru předejte k ekologické likvidaci, buď do kontejneru na plasty (plastové části) nebo předejte do sběrného dvora v místě Vašeho bydliště. Filtrační textilií vhodte do směsného odpadu. Likvidace musí být provedena v souladu s nařízením vlády (evropské direktivy) – zákon 185/2001 Sb. (2002/95/EC) o odpadech a o změně některých dalších zákonů v platném znění.

Záruka:

Na vermikompostér je poskytována záruka po dobu 24 měsíců od data převzetí zboží. Záruka je poskytována pouze v oprávněných záručních případech, a to při materiálových nebo výrobních vadách. Záruka platí pouze tehdy, je-li výrobek používán podle návodu k obsluze.



Čo je vermikompostovanie?

Je to spôsob kompostovania, pri ktorom sa o šupky, čajové vrecká a ďalší bioodpad z domácnosti postarajú dážďovky. Tie odpad v špeciálnej nádobe – vermikompostéri – za niekoľko mesiacov premenia na vermikompost, ktorý sa štruktúrou podobá rašelini. Navyše získate i takzvaný dážďovkový čaj. Vermikompost i dážďovkový čaj sú skvelé hnojivá s vysokým obsahom enzýmov a minerálnych látok, ktoré pomáhajú rastu a chránia rastliny pred chorobami. Dá sa používať na hnojenie bylín a izbových aj záhradných rastlín.

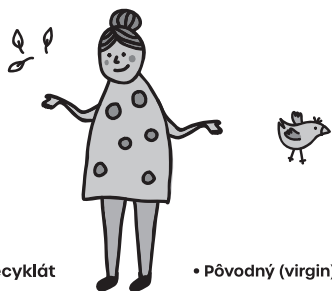
Prečo kompostovať doma?

- 40 až 60 percent odpadkov z domácnosti môžete kompostovať.
- Bioodpad neskončí na skládke či v spaľovni odpadov, kam nepatrí.
- Ušetríte za hnojivo a svojim rastlinám doprajete živiny bez chémie.
- Budete mať hnojivo s vysokým obsahom živín a enzýmov pre správny rast rastlín.
- Máte celoročný prísun kompostu pre vaše rastliny.
- Vaše deti či vnúčatá získajú praktické znalosti o prírodných cykloch.

Základný popis

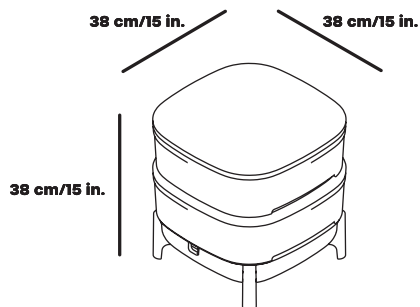
Ide o interiérovú nádobu, v ktorej dážďovky premenia rastlinné zvyšky z domácnosti na vermikompost a dážďovkový čaj. Získate tak vysokokvalitné 100 % organické hnojivo na pestovanie izbových a vonkajších rastlín.

V prípade ak v rukách držíte výrobok z recyklovaného materiálu (šedý). Jeho prirodzenou vlastnosťou je mierna farebná nestálosť. Jednotlivé časti produktu preto môžu mať nepatrne odlišné sfarbenie. Môžu sa objaviť aj drobné vizuálne nedostatky, ako farebné bodky či lesklé šmuhy, ktoré však neovplyvňujú funkciu produktu.



• Recyklát

• Pôvodný (virgin) materiál



Pri použití základnej zostavy vermikompostéra s dvoma podlažiami.

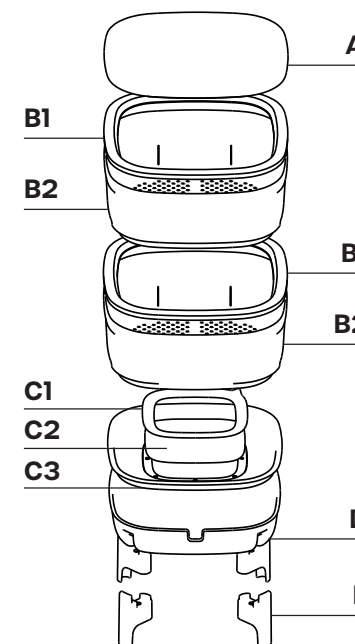
B1: 15 l

B2: 15 l

C: 2 l (dážďovkový čaj)

Čo nájdete v balení vermikompostéru?

- Veko (A)
- Rámček poschodia 2× (B1)
- Kompostovacie poschodie 2× (B2)
- Rámček filtračného sita (C1)
- Filtračná textília 3× (C2)
- Filtračné sito – hlavný diel (C3)
- Spodný diel (D)
- Nohy 4× (E)



Ako zostavíte vermikompostér?

- Vermikompostér vyberte z obalu.
- Zložte veko (A) a oddelte rámček (B1) od kompostovacieho poschodia (B2). Rámček (B1) oddeľujte postupne po obvode, aby nedošlo k jeho poškodeniu (nepoužívajte páčivý pohyb).
- Na kompostovacie poschodia (B2) nasadte rámčeky (B1). Rámčeky nasadzujte na kompostovacie poschodia postupne po obvode, aby nedošlo k ich poškodeniu. Musí dôjsť k zapadnutiu drážok rámčekov na okraje kompostovacích poschodí. Týmto zostavením vzniknú dve kompostovacie poschodia (B1, B2) – horné a dolné.
- Do spodného dielu (D) zasuňte nohy (E), vložte filtračné sito (C3).
- Rámček filtračného sita (C1) otočte výstupkami nahor. Filtračnú textíliu (C2) nasadte na rámček tak, aby otvory v textílii zapadli na výstupky rámčeka (C1, C2).
- Zostavený filtračný rámček (C1, C2) položte na filtračné sito (C3). Zatlačte do úplného zacvaknutia.
- Teraz nasadte jedno zostavené kompostovacie poschodie (B1, B2).
- Kompostovať začnete so spodným dielom (D) a s dolným kompostovacím poschodím (B1, B2).
- Horné kompostovacie poschodie (B1, B2) zatiaľ zostane prázdne. To príde na rad až po zaplnení dolného kompostovacieho poschodia (B1, B2).
- Dážďovkový čaj vylievajte naklonením spodnej nádoby (D), v ktorej je umiestnený vylievací otvor.
- V balení nájdete aj náhradnú filtračnú textíliu (C2).

Ako používať vermikompostér?

- Dolné kompostovacie poschodie (B1, B2) umiestnite na spodný diel (D) vybavený zostavou filtračného sita (C1, C2, C3).
- Na dolnom kompostovacom poschodí (B1, B2) vyrobte podstielku z papierového obalu, v ktorom bol vermikompostér zabalený. Obal roztrhajte na kúsky. Popriprade použite iný papier.
- Na podstielku dajte násadu dážďoviek.
- Dážďovky pokryte vrstvou nadrobno nakrájaného bioodpadu.
- Takto pripravený vermikompostér uzavrite vekom (A).
- Po 2 - 3 mesiacoch položte horné kompostovacie poschodie (B1, B2) s pripravenou podstielkou na plné dolné kompostovacie poschodie (B1, B2). Dážďovkám vytvorte v naplnenom dolnom kompostovacom (B1, B2) poschodí kôpku uprostred, aby sa mohli ľahšie presťahovať do horného kompostovacieho poschodia (B1, B2).

Kompostovanie krok za krokom, podrobne

- Na dne dolného kompostovacieho poschodia (B1, B2) vyrobte podstielku z navlhčeného pokrčeného papiera. Stačí jedna vrstva. Výborne využijete napríklad škatuľu, v ktorej vám prišiel vermikompostér Urbalive. Použiť môžete aj kartóny od vajčiek, noviny, rolky od toaletného papiera, trávnu, listie, rašelinu, hobliny alebo kokosové vlákno.
- Na podstielku dajte násadu dážďoviek. Pre začiatok vám postačí pol kila dážďoviek. Ti, ktorí ich počítajú na kusy, zoberú asi dvesto dážďoviek. Kde si môžete zadovážiť dážďovky, sa dozviete v ďalšej časti návodu.
- Potom dážďovky i celé dno kompostovacieho poschodia (B1, B2) pokryte 2- až 3-centimetrovou vrstvou bioodpadu nakrájaného na malé kúsky.
- Prvý mesiac krmíte dážďovky raz až dvakrát za týždeň hrstou bioodpadu. Pozor na prekrmovanie, potom dážďovky nestihnú bioodpad spracovať a začne plesnivieť. Ak sa vám to stane, plesnivé kúsky z kompostéra jednoducho odstráňte.
- Ako budú dážďovky pribúdať, môžete zvyšovať aj množstvo bioodpadu. Asi o tri mesiace už zvládne vermikompostér až štvrt kilogramu bioodpadu denne. Asi toľko odpadu vyprodukuje denne jedna štvorčlenná rodina.
- Niekoľkokrát za týždeň prekontrolujte vlhkosť.
- Raz za týždeň obsah vermikompostéra opatrne prehrabte a pozrite sa, ako sa dážďovkám darí. Kompost sa tým súčasne pekne prevzdušní.
- Vermikompostér zatvárajte, dážďovky majú rady tmu.
- Asi o dva mesiace sa v kompostéri začne tvoriť takzvaný dážďovkový čaj, je to tekutý produkt kompostovania. Ten odteká do spodného dielu (D) s vylievacím otvorom. Dážďovkový čaj odoberajte jeden až dvakrát za mesiac, podľa toho, koľko sa ho vytvorí. Po každom stáčaní dážďovkového čaju spodný diel opláchnite.
- Keď sa dolné kompostovacie poschodie (B1, B2) úplne zaplní, pridajte doprostred ešte hrst bioodpadu, aby vznikol kopček. Na dolné kompostovacie poschodie (B1, B2) pritlačte horné kompostovacie poschodie a začnite doň dávať bioodpad. Dážďovky prelezú do horného kompostovacieho poschodia (B1, B2) buď samy cez otvory v dne, alebo im môžete pomôcť a časť dážďoviek presťahovať do horného kompostovacieho poschodia (B1, B2). Dolné kompostovacie poschodie (B1, B2) nechajte v zostave vermikompostéra ešte jeden mesiac. Za ten čas všetky dážďovky prelezú do horného kompostovacieho poschodia (B1, B2) a materiál v dolnom kompostovacom poschodí (B1, B2) sa premení na vermikompost. Ak však potrebujete použiť hnojivo ihneď, môžete vermikompost rozprestrieť na

podložku v tenkej vrstve a vytvoriť kôpku. Dážďovky sa sem z tenkej vrstvy presunú.

- Potom vermikompost z dolného kompostovacieho poschodia (B1, B2) vysypte, pohnojte rastlinky a poschodie opláchnite. Z dolného kompostovacieho poschodia (B1, B2) sa tak stane prázdne poschodie. Zatiaľ ho dajte na kompostér prázdne, alebo ho odložte, kým zaplníte poschodie, v ktorom práve kompostujete. Potom celý kolobeh so sťahovaním dážďoviek zopakujte. A tak stále dookola.

Co patří do vermikomostéra?

- šupky a zvyšky zeleniny a ovocia (napr. zemiakové šupky, ohryzky z jablk, zelené vnate)
- cajové vrecká (dážďovky sa v nich často a radi rozmnožujú, preto na ne nezabúdajte)
- kávová usadenina, kávové filtre
- zvyšky varenej zeleniny
- rozdrvené vajcové škrupiny
- papierové servítky
- navlhčená papierová lepenka
- suché pečivo
- zvyšky izbových a záhradných rastlín



TIP: Vel ké kusy nakrájajte na menšie, dážďovky ich lepšie spracujú.

Co nepatří do vermikomostéra?

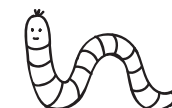
- chutovo výrazné potraviny jako dumbier alebo veľké množství citrusov
- mliečne výrobky
- mäsové výrobky
- kosti
- olej, masť a iné tuky



TIP: Na zaciatku kompostovania nevhadzujte zvyšky hlúbovín ani šupky zo zemiakov. Malý počet dážďoviek na zaciatku nemôže svojimi enzýmami kompost rozložiť a zvyšky by potom mohli zapáchať.

Kam Urbalive vermikompostér postaviť? Aneb kam s ním.

- Vermikompostér môže stáť v kuchyni, na balkóne, na chodbe, v garáži, v triede, či v kancelárii. Pokiaľ budete dodržiavať zopár jednoduchých zásad, nemusíte sa báť, že obsah vermikompostéra bude zapáchať.
- **Dodržiujte primeranú teplotu.** Dážďovkám vyhovuje teplota okolo 20 °C. V zime nenechávajte vermikompostér vonku bez izolácie, aby nepremrzol. V lete ho nedávajte na priame slnko, kde by sa prehrieval a vysychal. Teplota vo vermikompostéri by nemala klesnúť pod 5 °C a presiahnuť 25 °C.
- **Udržujte správnu vlhkosť vermikompostéra.** Správnu vlhkosť zmesi vo vermikompostéri prekontrolujte tak, že vezmete hrst kompostovaného materiálu a stisnete ju čo najpevnejšie v dlani. Ak sa objaví zopár kvapiek



+5»+25°C

vody, je vlhkosť ideálna. Ak sa objaví vody viacej, musíte kompost vysušiť, napr. natrhávaným papierom alebo lepenkou. Ak sa kvapky vody neobjavia, zvlhčíte kompost rozprašovačom vody alebo vlhkým natrhávaným papierom, navlhčeným kartónom zo škatule alebo od vajíčok. Ak nebude zaistená optimálna vlhkosť, môže dôjsť k úbytku dážďoviek. Dážďovkám vyhovuje tma, preto vermikompostér nevystavujte priamemu slnku. Najlepšie im bude v tieni

Aké dážďovky mám do vermikompostéra?

Do vermikompostéra patrí špeciálny druh dážďoviek vyšľachtený priamo pre kompostovanie. Nazývajú sa „kalifornské dážďovky“ (latinsky Eisenia andrei). Na rozdiel od našej dážďovky hnojnej (latinsky Eisenia fetida) majú kalifornské dážďovky väčšiu chuť do jedla. Teda do kompostovania. A súčasne sa rýchlo množia. Kalifornské dážďovky kúpíte u špeciálnych predajcov. Dávajte ale pozor, lebo v horúcich letných mesiacoch sa dážďovky nedajú posielat poštou. Rovnako tak je potrebné vyberať si medzi predajcami dážďoviek tých, ktorí ich zasielajú aj s kompostom (teda nie čisté dážďovky v škatulke).

TIP: Najvýhodnejším spôsobom získate kalifornské dážďovky, ak vám ich podaruje iný nadšenec pre kompostovanie. Možno nájdete suseda na ulici, ktorý vám ešte dnes dodá dve hrstky vermikompostu aj s dážďovkami.

Na čo je dobrý vermikompost a dážďovkový čaj?

Vermikompost je najlepšie hnojivo, aké môžete svojim rastlinám dopriať. Obsahuje účinné enzýmy a minerálne látky. Pridáva sa k zemine do črepníkov izbových rastlín alebo priamo na záhon. Ak vermikompost zmiešate so zeminou, môžete ho použiť ako klasický substrát. Pôsobí aj jako štartér pri procese klíčenia rastliny. Dážďovkový čaj je skvelé tekuté hnojivo pre bylinky, izbové rastliny aj záhradu. Obsahuje totiž vysoké množstvo živín a enzýmov, ktoré pomáhajú rastlinám rásť a udržiavajú ich odolné voči škodcom. Dážďovkový čaj môžete zliať do plastovej alebo sklenenej fľaše. Ideálne je, ak čaj zriedite vodou v pomere 1:9. Zriedeným dážďovkovým čajom zalievajte rastliny alebo ho rozprašujte na lístky.

Co robit ak?

Vermikompostér zapácha: Správne ošetrovaný vermikompost nezapácha. Pokiaľ sa zápach objaví, je to najčastejšie preto, lebo dážďovky nestačia spracúvať všetok bioodpad. Znížte preto jeho množstvo. Nespracovaný bioodpad má na svedomí aj veľkú vlhkosť kompostovaného materiálu, ktorý potom hnije a zapácha. Obsah vermikompostéra vysušíte kúskami natrhávaného papiera, novin alebo kartónov od vajíčok. Príčinou zápachu môžu byť aj zvyšky hlúbovín alebo zemiakov. Zapojte ich do kompostovania až po niekoľkých mesiacoch, kedy sú už dážďovky dostatočne aktívne na to, aby zaistili skorý rozklad.

Nedostatok dážďoviek: Nedostatok malých dážďoviek je signálom, že sa dážďovky nerozmnožujú, pretože sa im vo vermikompostéri nepáči. Skúste zmeniť zloženie podstielky a bioodpadu a tiež doladte vlhkosť kompostovaného materiálu.

Veľa dážďoviek: Ak máte vo vermikompostéri dosť malých dážďoviek, môžete ich niekomu venovať. Von byste ich vyhodit nemali, pretože sa nejedná o pôvodný druh a navyše nie sú zvyknuté na zimu, a tak by neprežili.

Dážďovky prepadávajú: Ak by do spodného dielu (D) náhodou prepadli nejaké dážďovky, vráťte ich späť do dolného kompostovacieho poschodia (B2) a skontrolujte, či je mriežka s filtračnou textíliou umiestnená správne.

Pleseň: Ak sa vo vermikompostéri objaví pleseň, je to najčastejšie preto, lebo dážďovky nestačia bioodpad spracúvať. Znížte preto jeho množstvo. Plesnivé kúsky odstráňte. A pokiaľ je plesne len máličko, stačí ju zahrnúť vrstvou kompostovaného bioodpadu.

Zmes vo vermikompostéri je príliš vlhká: Ak je materiál vo vermikompostéri príliš vlhký, pridajte kúsky natrhávaného papiera, novin alebo kartónov od vajíčok. Nechajte pootvorené veko, pokiaľ sa vlhkosť nezníži.

Zmes vo vermikompostéri je príliš suchá: Ak je materiál vo vermikompostéri príliš suchý, navlhčíte ho rozprašovačom alebo kúskami natrhávaného vlhkého papiera, novin alebo kartónov od vajíčok.

Dážďovky utekajú: Keď majú dážďovky dosť vlahy a potravy, nemajú dôvod utekať. Ak sa to predsa len stane, zistíte, či nie je vermikompostér suchý, prípadne navlhčíte povrch rozprašovačom alebo kúskami natrhávaného vlhkého papiera. Ďalej skontrolujte, či dobre priliehajú všetky časti vermikompostéra. Zo správne zostaveného vermikompostéra nemajú dážďovky kadiaľ utiecť.

Dovolenka: Dovolenka nie je problém. Dážďovky spokojne znesú aj dvojtýždňovú hladovku. Bez potravy však vydržia najdlhšie štyri týždne.

Údržba a čistenie vermikompostéra

Keď z vermikompostéra odobriete dážďovkový čaj, spodný diel s vylievacím otvorom umyte. Umyte aj kompostovacie poschodie, z ktorého ste odobrali hotový kompost. Obe časti stačí umyť prostriedkom na riad a dôkladne opláchnuť. Filtračnú textíliu môžete prepláchnuť pod teplou tečúcou vodou alebo vymeniť za náhradnú, ktorú nájdete v balení.

Demontáž

Vermikompostér demontujte rovnakým spôsobom, ako ste ho zložili. Oddel'te jednotlivé poschodia od seba, vyberte filtračnú textíliu, zakrývaci filc a od spodného dielu odmontujte nohy.

Náhradné diely

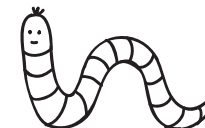
Potrebuje náhradné diely pre svoj vermikompostér? Na www.plastia.eu vám ponúkame možnosť dokúpiť náhradné diely.

Likvidácia:

Plastové časti kompostéra odovzdajte na ekologickú likvidáciu, buď do kontajnera na plasty (plastové časti), alebo do zberného dvora v mieste vášho bydliska. Filtračnú textíliu vhod'te do zmiešaného odpadu. Likvidácia musí byť vykonaná v súlade s nariadením vlády (európskej direktívy) – zákon 185/2001 Zb. (2002/95/EC) o odpadoch a o zmene niektorých ďalších zákonov v platnom znení.

Záručné podmienky:

Na vermikompostér je poskytovaná záruka 24 mesiacov od dátumu prevzatia tovaru. Záruka sa poskytuje iba v oprávnených záručných prípadoch, a to pri materiálových alebo výrobných chybách. Záruka platí iba vtedy, keď sa výrobok používa podľa návodu na obsluhu.



¿Qué es el vermicompostaje?

Es un método de compostaje en el que las lombrices se encargan de las cáscaras, las bolsitas de té y otros desechos biológicos del hogar. En unos meses, en un recipiente especial, las lombrices convierten los desechos en un vermicompost que se asemeja a la turba en su estructura. Además, se obtiene el llamado té de lombrices de tierra. El vermicompost y el té de lombrices de tierra son excelentes fertilizantes con un alto contenido de enzimas y minerales que ayudan al crecimiento y protegen las plantas de las enfermedades. Se pueden utilizar para fertilizar hierbas y plantas de interior o exterior.

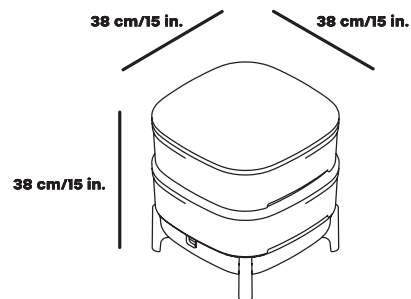
¿Por qué hacer el compostaje en casa?

- El 40 a 60 por ciento de los desechos domésticos se pueden convertir en vermicompost.
- Los residuos biológicos no terminan en un vertedero o incinerador de residuos donde no pertenecen.
- Van a ahorrar en fertilizantes y van a dar a sus plantas nutrientes sin químicos.
- Van a tener un fertilizante rico en nutrientes y enzimas para el crecimiento adecuado de las plantas.
- Van a tener un suministro de compost para sus plantas durante todo el año.
- Sus hijos o nietos obtendrán conocimientos prácticos de los ciclos naturales.

Descripción básica

Es un recipiente de interior en el que las lombrices de tierra convierten los restos vegetales del hogar en vermicompost y té de lombrices. Así van a obtener un fertilizante 100% orgánico de alta calidad para el cultivo de plantas de interior y exterior.

Si tiene un producto hecho de material reciclado (gris) en sus manos, nos gustaría advertirle que su propiedad natural es una ligera inestabilidad de color, así que las partes individuales del producto pueden tener colores ligeramente diferentes. También pueden aparecer unos defectos visuales menores, como puntos de color o manchas brillantes, pero éstos no afectan la función del producto.

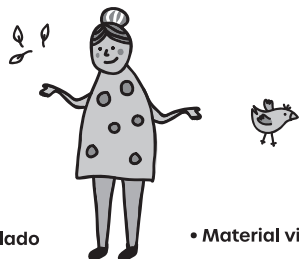


Cuando se utiliza el conjunto básico de la compostera de dos niveles.

B1: 15 l

B2: 15 l

C: 2 l (té de lombrices)

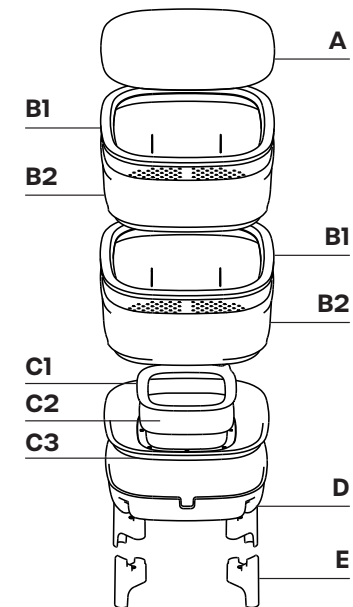


• Reciclado

• Material virgen

¿Cómo montar la vermicompostera?

- Tapa (A)
- Marco del nivel 2x (B1)
- Nivel de compostaje 2x (B2)
- Marco de pantalla de filtro (C1)
- Tela filtrante 3x (C2)
- Pantalla de filtro – pieza principal (C3)
- Parte inferior (D)
- Patas 4x (E)



¿Cómo montar una vermicompostera?

- Desempaque la vermicompostera.
- Retire la tapa (A) y separe el marco (B1) del nivel de compostaje (B2). Separe gradualmente el marco (B1) alrededor del perímetro para evitar dañarlo (no use la palanca). Retire y separe las partes individuales de la vermicompostera.
- Coloque los marcos (B1) en los niveles de compostaje (B2). Coloque los marcos en los niveles de compostaje gradualmente alrededor del perímetro para que no se dañen. Las ranuras de los marcos deben encajar en los bordes de los niveles de compostaje. Este conjunto crea dos niveles de compostaje (B1, B2) – el superior y el inferior.
- Coloque la pantalla de filtro (C3) y empuje las patas (E) en la parte inferior (D).
- Gire el marco de la pantalla de filtro (C1) con las protuberancias hacia arriba. Coloque la tela filtrante (C2) en el marco de modo que los orificios de la tela encajen en las protuberancias del marco (C1, C2).
- Coloque el marco del filtro ensamblado (C1, C2) en la pantalla de filtro (C3). Empuje hasta que haga clic.
- Ahora coloque un nivel de compostaje ensamblado (B1, B2).
- Comience a compostar con la parte inferior (D) y el nivel de compostaje de abajo (B1, B2).
- El nivel de compostaje superior (B1, B2) permanecerá vacío por el momento. Será su turno cuando llene el nivel de compostaje inferior (B1, B2).
- Vierta el té de lombrices de tierra inclinando el recipiente inferior (D), en el que se encuentra el orificio de drenaje.
- El paquete también incluye una tela filtrante de repuesto (C2).

¿Cómo utilizar la vermicompostera?

- Coloque el nivel de compostaje inferior (B1, B2) en la parte de abajo (D) proporcionada con el conjunto de la pantalla de filtro (C1, C2, C3).
- En el nivel de compostaje inferior (B1, B2), haga el lecho con la envoltura de papel en la que fue empacada la vermicompostera. Rompa el paquete en pedazos, o si es necesario, utilice un papel diferente.
- Coloque las lombrices de tierra sobre el lecho.
- Cubra las lombrices de tierra con una capa de desechos biológicos finamente picados.
- Teniendo la vermicompostera preparada así, ciérrela con la tapa (A).
- Después de 2-3 meses, coloque el nivel de compostaje superior (B1, B2) con el lecho preparado, en el nivel de compostaje inferior que ahora está lleno (B1, B2). Cree una pila en el medio del nivel de compostaje inferior (B1, B2) para las lombrices para que puedan moverse más fácilmente al nivel de compostaje superior (B1, B2).

Compostaje paso a paso, en detalle

- Prepare el lecho en el fondo del nivel de compostaje (B1, B2) con papel arrugado húmedo. Una capa es suficiente. Por ejemplo, la caja en la que llegó la compostera es genial. También puede usar cajas de huevos, periódicos, rollos de papel higiénico, césped, hojas, turba, virutas o fibra de coco.
- Coloque las lombrices de tierra sobre la cama de papel. Al principio, un medio kilo de lombrices suficiente. Para los que cuentan en unidades, son unas doscientas lombrices. En la siguiente parte del manual, descubrirá dónde conseguir lombrices.
- Luego cubra las lombrices de tierra y todo el fondo del nivel de compostaje (B1, B2) con una capa de 2-3 cm de desechos biológicos, cortada en trozos pequeños.
- Durante el primer mes, alimente las lombrices una o dos veces por semana con un puñado de desechos biológicos. Tenga cuidado con la sobrealimentación - las lombrices no logran procesar los desechos biológicos y comienzan a tener moho. Si esto le sucede, simplemente retire las piezas mohosas de la compostera.
- Cuando aumenta la cantidad de lombrices, puede aumentar también la cantidad de desechos biológicos. En unos tres meses, la compostera puede manejar hasta un cuarto de kilo de desechos biológicos por día. Eso es lo que normalmente produce una familia de cuatro al día.
- Controle la humedad varias veces a la semana.
- Una vez a la semana, escarbe cuidadosamente el contenido de la compostera para ver cómo les va a las lombrices. Al mismo tiempo, el compost estará bien aireado.
- Siempre cierre la compostera, a las lombrices les gusta la oscuridad.
- En aproximadamente dos meses, el llamado té de lombrices, que es un producto líquido del compostaje, comienza a formarse en la compostera. El compost fluye hacia la parte inferior (D) con el orificio de drenaje. Recolecte el té de lombrices una o dos veces al mes, dependiendo de cuánto se produzca. Enjuague la parte de abajo después de cada embotellado de té de lombrices.
- Cuando el nivel de compostaje inferior (B1, B2) esté completamente lleno, agregue un puñado de desechos biológicos en el centro para crear un montículo. Presione el nivel de compostaje superior en el nivel de compostaje inferior (B1, B2) y comience a colocar desechos biológicos en él. Las lombrices de tierra subirán al nivel de compostaje superior (B1, B2) a través de los agujeros en la parte inferior, o puede ayudarlas y mover algunas de las lombrices de tierra al nivel de compostaje superior (B1, B2). Deje el nivel de compostaje inferior (B1, B2) en el conjunto de la vermicompostera durante un mes más. Durante este tiempo, todas las lombrices

de tierra subirán al nivel de compostaje superior (B1, B2) y el material del nivel de compostaje inferior (B1, B2) se convierte en un vermicompost. Sin embargo, si necesita aplicar el fertilizante de inmediato, puede extender el vermicompost en una almohadilla en una capa fina y crear una pila. Las lombrices se mueven aquí desde la capa fina.

- Luego vacíe el vermicompost del nivel de compostaje inferior (B1, B2), fertilice las plantas y enjuague el nivel de compostaje. El nivel de compostaje inferior (B1, B2) se convierte así en un nivel vacío. Mientras tanto, colóquelo vacío en la compostera o déjelo a un lado, antes de llenar el nivel en el que está compostando de momento. Luego repita todo el ciclo de mover lombrices al segundo nivel. Y así sucesivamente.

Qué pertenece a la compostera

- esquejes y residuos de verduras y frutas (por ejemplo, cáscaras de patata, pepitas de manzana, hojas de verduras, etc.)
- bolsitas de té (a las lombrices les gusta reproducirse en ellas, así que no las olvide)
- posos de café, filtros de café
- sobras de verduras cocidas
- cáscaras de huevo trituradas
- toallas de papel
- cartón humedecido
- pan seco
- restos de plantas de interior y exterior



CONSEJO: Corte trozos grandes en más pequeños, las lombrices los procesan mejor.

Qué no pertenece a la compostera

- alimentos de sabor marcado como jengibre o la mayoría de cítricos
- productos lácteos
- productos de carne
- huesos
- aceite, manteca de cerdo y otras grasas



CONSEJO: No tire dentro las verduras sobrantes o las peladuras de patata al comienzo del compostaje. Al principio, una pequeña cantidad de lombrices de tierra no puede descomponer el compost por sus enzimas y estos residuos pueden oler mal.

¿Dónde colocar la compostera? ¿Adónde ponerla?

- La compostera puede colocarse en la cocina, en un pasillo, a la sombra en un balcón, en un garaje o en una clase de colegio u oficina. Si sigue algunos simples principios, no tiene que preocuparse por el mal olor del contenido de la compostera.

- **Mantenga una temperatura adecuada.** Las lombrices de tierra disfrutan de una temperatura de alrededor de 20 °C. En invierno, no deje la compostera al aire libre sin aislamiento para evitar que se congele. En verano, no lo exponga a la luz solar directa, donde puede



+5»+25°C

sobrecalentarse y secarse. La temperatura en la compostera no debe caer por debajo de 5 °C y no debe exceder los 25 °C.

- **Mantenga la humedad adecuada de la mezcla.** Revísela en la compostera tomando un puñado de material compostado y presionándolo lo más firmemente posible en la palma de su mano. Si aparecen unas gotas de agua, la humedad es ideal. Cuando aparece más agua, el compost debe secarse con papel o cartón rasgado. Si no aparecen gotas de agua, humedezca el compost con un rociador de agua o papel rasgado húmedo, cartón humedecido de una caja o caja de huevos. Si no se asegura una humedad óptima, puede ocurrir la pérdida de lombrices de tierra. A las lombrices les conviene oscuridad, por lo que no exponga la compostera a la luz solar directa. Estarán mejor a la sombra.

¿Dónde consigo lombrices y qué tipo necesito?

La compostera necesita un tipo especial de lombriz de tierra criada directamente para compostaje. Se llama híbrido de California (en latín se llama *Eisenia andrei*). A diferencia de su pariente checo, la lombriz de tierra (ésta lleva el nombre latino *Eisenia fetida*), las de California tienen el mayor apetito. Así que ideal para el compostaje. También se reproducen más rápido. Las lombrices de California están disponibles en vendedores especializados. Pero tenga en cuenta que en los calurosos meses de verano no es posible enviar lombrices de tierra por correo. También es necesario elegir entre aquellos vendedores de lombrices que las enviarán con compost incluido (es decir, no solo las lombrices en una caja).

CONSEJO: La mejor manera de conseguir lombrices de California es obtenerlas de otro entusiasta de compostaje.

Uso del vermicompost y té de lombrices

Vermicompost es el mejor fertilizante que puede conseguir para sus plantas. Contiene enzimas y minerales eficaces. Se agrega al suelo en macetas de plantas de interior o directamente en el macizo de flores. Si mezcla el vermicompost con el suelo, se puede utilizar como sustrato clásico. También actúa como indicador en el proceso de germinación de las plantas. El té de lombrices es un excelente fertilizante líquido para hierbas, plantas de interior y el jardín. Contiene una gran cantidad de nutrientes y enzimas que ayudan a las plantas a crecer y las mantienen resistentes a las plagas. Puede embotellar el té de lombrices en una botella de plástico o vidrio. Es ideal diluir el té con agua en una proporción de 1:9. Riegue las plantas con el té diluido o rocíelas con el té en sus hojas.

Qué hacer si

La compostera huele mal: Una compostera manejada adecuadamente no huele mal. Si aparece el mal olor, con mayor frecuencia se debe a que las lombrices no consiguen procesar todos los desechos biológicos. Por lo tanto, reduzca su cantidad. Los residuos biológicos no procesados son responsables del alto contenido de humedad del material compostado que luego se pudre y huele mal. Seque el contenido de la compostera con trozos de papel, periódicos o cajas de huevos. El mal olor también puede ser causado por residuos de hortalizas de hoja o patatas. Estas deben estar incluidas en el compostaje solo después de unos meses, cuando las lombrices estén lo suficientemente activas para la descomposición oportuna.

Falta de lombrices: La falta de lombrices pequeñas es una señal de que las lombrices no se reproducen porque no están bien en la compostera. Intente cambiar la composición de la cama y los desechos biológicos y también ajuste la humedad del material compostado.

Muchas lombrices: Si tiene muchas lombrices pequeñas en la compostera, puede dárselas a alguien. No debería dejarlas salir fuera porque no son la especie original y no están acostumbradas al invierno, así que no sobrevivirán.

Las lombrices caen: Si algunas lombrices caen accidentalmente en la parte inferior (D), devuélvalas al nivel de compostaje inferior (B2) y verifique que la rejilla de tela filtrante esté colocada correctamente.

Moho: Cuando aparece moho en la compostera, con mayor frecuencia se debe a que las lombrices no consiguen procesar los desechos biológicos. Por lo tanto, reduzca su cantidad. Quite los pedazos mohosos. Y si hay una pequeña cantidad de moho, simplemente cúbralo con una capa de desechos biológicos compostados.

La mezcla en la compostera está demasiado húmeda: Si el material de compostera está demasiado húmedo, añada trozos de papel, periódicos o cajas de huevos rasgados. Deje la tapa entreabierta hasta que disminuya la humedad.

La mezcla en la compostera está demasiado seca: Si el material de la compostera está demasiado seco, humedézcalo con un rociador o con trozos de papel, periódicos o cajas de huevos húmedos.

Las lombrices se escapan: Cuando las lombrices tienen suficiente humedad y comida, no tienen razón para escapar. Si esto sucede, asegúrese de que la compostera no esté seca o humedézcala con un rociador o trozos de papel húmedo. Compruebe también que todas las partes de la compostera encajan bien. Las lombrices no tienen forma de escapar de una compostera Urbalive que está correctamente ensamblado.

Vacaciones: Las vacaciones no son un problema. Las lombrices pueden sobrevivir fácilmente un período de hambre de quince días. Sin embargo, sin comida pueden sobrevivir máximo cuatro semanas.

Mantenimiento y limpieza de la vermicompostera

Al retirar el té de lombrices de tierra de la vermicompostera, lave bien la parte inferior con el orificio de drenaje. También lave el nivel de compostaje del que había retirado el compost terminado. Simplemente lave ambas partes con un líquido lavavajillas y enjuague bien. Puede enjuagar la tela filtrante con agua corriente caliente o reemplazarla por una de repuesto, que encontrará en el paquete.

Desmontaje: Desarme la vermicompostera Economy de la misma forma que lo había ensamblado. Separe los niveles individuales, retire la tela filtrante, el filtro de cobertura y desmonte las patas de la parte inferior.

Piezas de repuesto: ¿Necesita repuestos para su compostera? En www.plastia.eu le ofrecemos la posibilidad de comprar repuestos.

Disposición: Entregue las partes plásticas de la compostera para su eliminación ecológica, ya sea en un recipiente para plásticos (las partes plásticas) o en un punto verde en su lugar de residencia. Tire la tela filtrante en la basura mezclada. La eliminación debe realizarse de acuerdo con un reglamento gubernamental - Ley 185/2001 Coll. (2002/95/EC) sobre residuos y sobre la enmienda de algunas otras leyes en su forma enmendada.

Condiciones de garantía: La vermicompostera está garantizada por un período de 24 meses a partir de la fecha de recepción de la mercancía. La garantía se proporciona sólo en casos justificados de garantía, en caso de defectos de material o fabricación. La garantía sólo es válida si el producto se utiliza de acuerdo con las instrucciones de funcionamiento.

Qu'est-ce que le lombricompostage ?

Il s'agit d'une méthode de compostage où des lombrics prennent soin des épiluchures, sachets de thé et autres déchets biologiques domestiques. Le lombric transforme en quelques mois ces déchets pour former du lombricompost dans le lombricomposteur, dont la structure est semblable à de la tourbe. Vous pouvez de plus obtenir du thé de vers. Le lombricompost et le thé de vers sont d'excellents engrais dotés d'une teneur élevée en enzymes et en minéraux qui favorisent la croissance et protègent les plantes contre les maladies. Ils peuvent être utilisés pour fertiliser les herbes et les plantes d'intérieur ou d'extérieur.

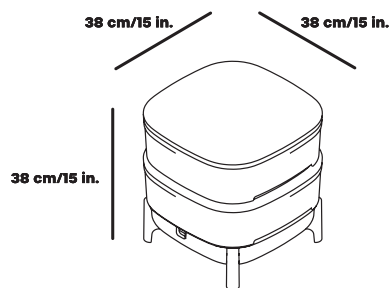
Pourquoi faire du compost domestique ?

- 40 à 60 pour cent des déchets ménagers peuvent être compostés.
- Les déchets biologiques ne finissent pas dans une décharge ou dans un incinérateur où ils n'ont pas leur place.
- Économisez sur les engrais et donnez à vos plantes des nutriments exempts de produits chimiques.
- Vous aurez un engrais riche en éléments nutritifs et en enzymes, favorisant ainsi la bonne croissance des plantes.
- Le compost est disponible toute l'année pour vos plantes.
- Vos enfants ou petits-enfants se formeront de manière pratique sur les cycles de la nature.

Description fondamentale

C'est un récipient d'intérieur dans lequel les lombrics transforment les résidus végétaux domestiques en lombricompost et en thé de vers. Vous obtiendrez ainsi un engrais 100% organique de haute qualité pour la culture des plantes d'intérieur et d'extérieur.

Si vous tenez en main un produit provenant d'un matériau recyclé (gris), nous nous permettons d'attirer votre attention sur le fait que sa caractéristique naturelle peut impliquer une légère instabilité des couleurs. Les différentes parties du produit peuvent donc avoir des teintes qui diffèrent légèrement. Des défauts visuels mineurs peuvent également se présenter, comme un point de couleur ou une tache brillante, sans pour autant impacter le fonctionnement du produit.

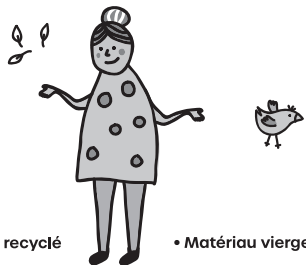


Lors de l'utilisation d'un ensemble de lombricomposteur de base à deux niveaux.

B1 : 15 l

B2 : 15 l

C : 2 l (thé de vers)

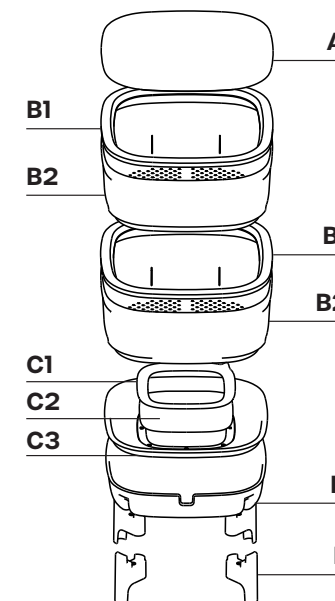


• Matériau recyclé

• Matériau vierge (d'origine)

Que trouve-t-on dans le colis du lombricomposteur ?

- Capot (A)
- Cadre de bac 2x (B1)
- Bac de compostage 2x (B2)
- Cadre du tamis de filtration (C1)
- Tissu de filtration 3x (C2)
- Tamis de filtration - partie principale (C3)
- Partie inférieure (D)
- Pieds 4x (E)



Comment monter le lombricomposteur ?

- Déballez le lombricomposteur.
- Retirez le capot (A) et séparez le cadre (B1) du bac de compostage (B2). Séparez progressivement le cadre (B1) autour du périmètre pour ne pas l'endommager (ne pas forcer). Retirez et séparez les éléments individuels du lombricomposteur.
- Placez les cadres (B1) sur les bacs de compostage (B2). Placez progressivement les cadres autour du périmètre des bacs de compostage pour éviter de les endommager. Les rainures des cadres doivent s'engager sur les bords des bacs de compostage. Ce montage forme deux étages de compostage (B1, B2) - supérieur et inférieur.
- Insérez les pieds (E) dans la partie inférieure (D), insérez le tamis de filtration (C3).
- Retournez le cadre du tamis de filtration (C1) pour placer les saillies vers le haut. Placez le tissu de filtration (C2) sur le cadre de sorte que les orifices du tissu s'adaptent aux saillies du cadre (C1, C2).
- Placez le cadre de filtration monté (C1, C2) sur le tamis de filtration (C3). Poussez jusqu'à l'enclenchement.
- Posez alors le bac de compostage assemblé (B1, B2).
- Commencez le compostage avec la partie inférieure (D) et le bac de compostage inférieur (B1, B2).
- Le bac supérieur de compostage (B1, B2) restera vide pour le moment. Il faut alors remplir le bac inférieur de compostage (B1, B2).
- Verser le thé de vers en inclinant le récipient inférieur (D) dans lequel se trouve l'orifice d'écoulement.
- Le colis comprend également un tissu de filtration de remplacement (C2).

Comment utiliser le lombricomposteur?

- Placer le bac de compostage inférieur (B1, B2) sur la partie inférieure (D) fournie avec l'ensemble du tamis de filtration (C1, C2, C3).
- Au niveau de compostage inférieur (B1, B2), fabriquer la litière à partir de l'emballage en papier ayant servi à conditionner le lombricomposteur. Déchirer l'emballage en petits morceaux. Utiliser éventuellement un autre produit en papier.
- Placer les lombrics sur la litière.
- Recouvrir les lombrics d'une couche de déchets biologiques finement découpés.
- Fermer le lombricomposteur ainsi préparé avec le capot (A).
- Contrôler l'humidité et la température et veiller à ne pas suralimenter les lombrics.
- Après 2-3 mois, placer le bac de compostage supérieur (B1, B2) avec une litière sur le bac de compostage inférieur rempli (B1, B2). Former un amas au milieu dans le bac de compostage inférieur rempli (B1, B2) pour permettre aux lombrics de se déplacer plus facilement vers le bac de compostage supérieur (B1, B2).

Le compostage détaillé, pas à pas

- Faire une litière avec du papier froissé humidifié sur le fond du bac de compostage inférieur (B1, B2). Une simple couche suffit. La boîte du colis du lombricomposteur est, par exemple, très utile à cette fin. Il est également possible d'utiliser des cartons d'œufs, des journaux, des rouleaux de papier toilette, de l'herbe, des feuilles, de la tourbe, des copeaux ou de la fibre de coco.
- Placer les lombrics sur la litière. Un demi-kilo de lombrics suffira au démarrage. Cela représente à peu près deux cents lombrics. La section suivante du manuel indique où se les procurer.
- Recouvrir ensuite les lombrics et tout le fond du bac de compostage (B1, B2) d'une couche de 2-3 cm d'épaisseur de déchets biologiques découpés en petits morceaux.
- Nourrir le premier mois les lombrics une à deux fois par semaine avec une poignée de déchets biologiques. Attention à ne pas en mettre trop. Les lombrics ne peuvent alors pas traiter les déchets biologiques, qui commencent à moisir. Si cela se produit, il suffit simplement de retirer les éléments moisis du lombricomposteur.
- Au fur et à mesure de l'accroissement des lombrics, il est possible d'augmenter la quantité de déchets biologiques. Le lombricomposteur peut traiter jusqu'à un quart de kilo de déchets biologiques par jour au bout de trois mois. Cela correspond à la production quotidienne d'une famille de quatre personnes.
- Contrôler l'humidité plusieurs fois par semaine.
- Remuer soigneusement une fois par semaine le contenu du lombricomposteur pour voir comment se portent les lombrics. Cela permet simultanément de bien aérer le compost.
- Fermer le lombricomposteur, les lombrics aiment l'obscurité.
- Du thé de vers, à savoir le produit liquide du compostage, commence au bout de deux mois environ à se former dans le lombricomposteur. Il s'écoule dans la partie inférieure (D) par l'orifice d'écoulement. Récupérer le thé de vers une à deux fois par mois, en fonction de la quantité produite. Rincer la partie inférieure après chaque transvasement du thé de vers.
- Lorsque le bac de compostage inférieur (B1, B2) est complètement plein, ajouter une poignée de déchets biologiques au milieu pour créer un monticule. Poser le bac de compostage supérieur sur le bac de compostage inférieur (B1, B2) et commencer à y déposer des déchets biologiques. Les lombrics montent vers le bac de compostage supérieur (B1, B2) à travers les orifices du fond. Il est aussi

possible d'en déplacer certains vers le bac de compostage supérieur (B1, B2). Laisser le bac de compostage inférieur (B1, B2) en place dans le lombricomposteur pendant encore un mois. Pendant ce temps, tous les lombrics montent vers le bac de compostage supérieur (B1, B2) et la matière dans le bac de compostage inférieur (B1, B2) se transforme en lombricompost. S'il faut cependant utiliser immédiatement l'engrais, étaler le lombricompost sur un support en couche mince et créer un tas. Les lombrics se déplacent ici à partir d'une couche mince.

- Vider ensuite le lombricompost du bac de compostage inférieur (B1, B2), l'utiliser pour fertiliser les plantes et rincer le bac. Le bac inférieur de compostage (B1, B2) est désormais vide. Le placer vide en attendant sur le composteur ou le mettre de côté avant de remplir de nouveau le bac de compostage en cours. Répéter ensuite tout le cycle de migration des lombrics vers le bac supérieur. Et ainsi de suite.

Produits utilisés dans le lombricomposteur

- Bouts coupés et résidus de légumes et de fruits (par exemple, épluchures de pommes de terre, pépins de pommes, tiges vertes, etc.)
- Sachets de thé (les lombrics aiment souvent s'y reproduire, ne pas les oublier)
- Marc de café, filtres à café
- Restes de légumes cuits
- Coquilles d'œufs écrasées
- Serviettes en papier
- Carton humidifié
- Pain sec en petits morceaux
- Restes de plantes d'intérieur et d'extérieur



ASTUCE : Réduire la taille des gros morceaux pour permettre aux lombrics de mieux les traiter.

Produits à ne pas utiliser dans un lombricomposteur

- Forts exhausteurs de goût tels que le gingembre ou de grandes quantités d'agrumes
- Produits laitiers
- Produits carnés
- Os
- Huile, saindoux et autres graisses



ASTUCE : Ne pas jeter les restes de légumes ou d'épluchures de pommes de terre au démarrage du compostage. Un faible nombre de lombrics ne peut pas décomposer le compost avec les enzymes disponibles, ces résidus pouvant alors dégager des mauvaises odeurs.

Où placer le lombricomposteur ou où se déplacer avec ?

- Le lombricomposteur peut être installé dans une cuisine, un couloir, à l'ombre sur le balcon, un garage, une salle de classe ou un bureau. Le respect de quelques directives simples permet de ne pas avoir à se soucier de l'odeur du contenu du lombricomposteur.
- **Maintenir une température adéquate.** Les lombrics préfèrent une température d'environ 20 °C. En hiver, ne pas laisser le lombricomposteur à l'extérieur sans isolation afin de l'empêcher de geler. En été, ne pas l'exposer à



+5» +25°C

la lumière directe du soleil, pour éviter la surchauffe et le dessèchement. La température dans le lombricomposteur ne doit pas être inférieure à 5 °C ni supérieure à 25 °C.

- **Pour vérifier la bonne humidité du mélange** dans le lombricomposteur, prendre une poignée de compost et le presser le plus fermement possible dans la paume de sa main. Si quelques gouttes d'eau se forment, l'humidité est idéale. S'il y a trop d'eau, le compost doit être séché avec du papier ou du carton déchiré. S'il n'y a pas d'eau, humidifier le compost avec un vaporisateur ou du papier déchiré, du carton ou une boîte d'œufs humidifiés.

Comment trouver des lombrics et quel type convient?

Le lombricomposteur fonctionne avec un type spécial de lombrics élevés directement à cette fin. On l'appelle l'hybride californien (du latin pour Eisenia andrei). Contrairement à son cousin tchèque (Eisenia fetida), le lombric californien a un plus grand appétit. Donc pour le compostage. Et il se multiplie aussi plus rapidement. Il est possible de se procurer des lombrics californiens auprès de détaillants spécialisés. Faire cependant attention car il n'est pas possible d'envoyer des lombrics par voie postale pendant les chauds mois d'été. Il faut aussi choisir des vendeurs de lombrics qui assurent l'envoi avec du compost (donc pas seulement des lombrics en colis).

ASTUCE : La meilleure façon d'obtenir des lombrics californiens est de les récupérer auprès d'un autre mordu de compostage.

Comment utiliser le lombricompost et le thé de vers?

Le lombricompost est le meilleur engrais pouvant être donné aux plantes. Il contient des enzymes et des minéraux actifs. Il est ajouté à la terre des pots de fleurs d'intérieur ou directement sur le parterre de fleurs. Le lombricompost mélangé avec de la terre peut être utilisé comme substrat classique. Il agit également comme un démarreur dans le processus de germination des plantes.

Le thé de vers est un excellent engrais liquide pour les herbes, les plantes d'intérieur et le jardin. Il contient une grande quantité d'éléments nutritifs et d'enzymes qui aident les plantes à pousser et favorise la résistance envers les parasites. Le thé de vers peut être transvasé dans une bouteille en plastique ou en verre. Rapport de dilution idéal du thé avec de l'eau : 1:9. Arroser les plantes avec le thé de vers dilué ou le vaporiser sur les feuilles.

Que faire si...

Le lombricomposteur dégage des mauvaises odeurs: Un lombricompost correctement utilisé ne dégage pas d'odeur. Si une odeur apparaît, cela signifie surtout que les lombrics ne sont pas suffisamment nombreux pour traiter tous les déchets biologiques. Il faut par conséquent réduire les quantités. Les déchets biologiques non traités sont également responsables de la forte teneur en humidité du matériau composté, qui pourrait alors et sent mauvais. Sécher le contenu du lombricomposteur avec des morceaux de papier déchiré, du papier journal ou des cartons d'œufs. Les restes de légumes ou de pommes de terre peuvent également dégager des odeurs. Ils ne devraient être utilisés dans le compostage qu'au bout de plusieurs mois, lorsque les lombrics sont suffisamment actifs pour une décomposition opportune.

Nombre insuffisant de lombrics: C'est le signe que les lombrics ne se reproduisent pas parce qu'ils ne se sentent pas bien dans le lombricomposteur. Essayer de modifier la composition de la litière et des déchets biologiques tout en ajustant l'humidité du matériau composté.

Nombre important de lombrics: S'il y a beaucoup de petits lombrics dans le lombricomposteur, il est possible de les donner à quelqu'un. Il ne faut pas les relâcher dans la nature. Ce ne sont pas des espèces d'origine, ils ne sont donc pas habitués à l'hiver et ne survivraient pas.

Les lombrics tombent: Si des lombrics tombent accidentellement dans la partie inférieure (D), les remettre sur le fond du bac de compostage inférieur (B2) et vérifier que la grille du tissu de filtration est correctement positionnée.

Moisissure: Lorsque de la moisissure apparaît dans le lombricomposteur, cela implique la plupart du temps que les lombrics sont insuffisants pour traiter les déchets biologiques. Il faut par conséquent réduire les quantités. Retirer les éléments moisissus. S'il n'y a qu'une petite quantité de moisissure, il suffit de la recouvrir d'une couche de déchets biologiques compostés.

Le mélange dans le lombricomposteur est trop humide: Ajouter des morceaux de papier déchiré, du papier journal ou des cartons d'œufs. Laisser le capot légèrement ouvert jusqu'à ce que l'humidité diminue.

Le mélange dans le lombricomposteur est trop sec: L'humidifier avec un vaporisateur ou avec des morceaux de papier déchiré, du papier journal ou des cartons d'œufs humidifiés.

Fuite de lombrics: Lorsque les lombrics ont suffisamment d'humidité et de nourriture, ils n'ont aucune raison de s'enfuir. Si cela se produit, s'assurer que le lombricomposteur n'est pas sec ou l'humidifier avec un vaporisateur ou avec des morceaux de papier déchiré humide. S'assurer également que tous les composants du lombricomposteur sont bien ajustés. Les lombrics n'ont aucun moyen de s'échapper du lombricomposteur s'il est correctement monté.

Vacances: Les vacances ne sont pas un problème. Les lombrics peuvent facilement survivre à une grève de la faim de quinze jours. Cependant, sans nourriture, sa durée de vie est au maximum de quatre semaines.

Pièces de rechange: Des pièces détachées pour le lombricomposteur sont requises ? Les pièces détachées peuvent être achetées sur www.plastia.eu.

Entretien et nettoyage du lombricomposteur.

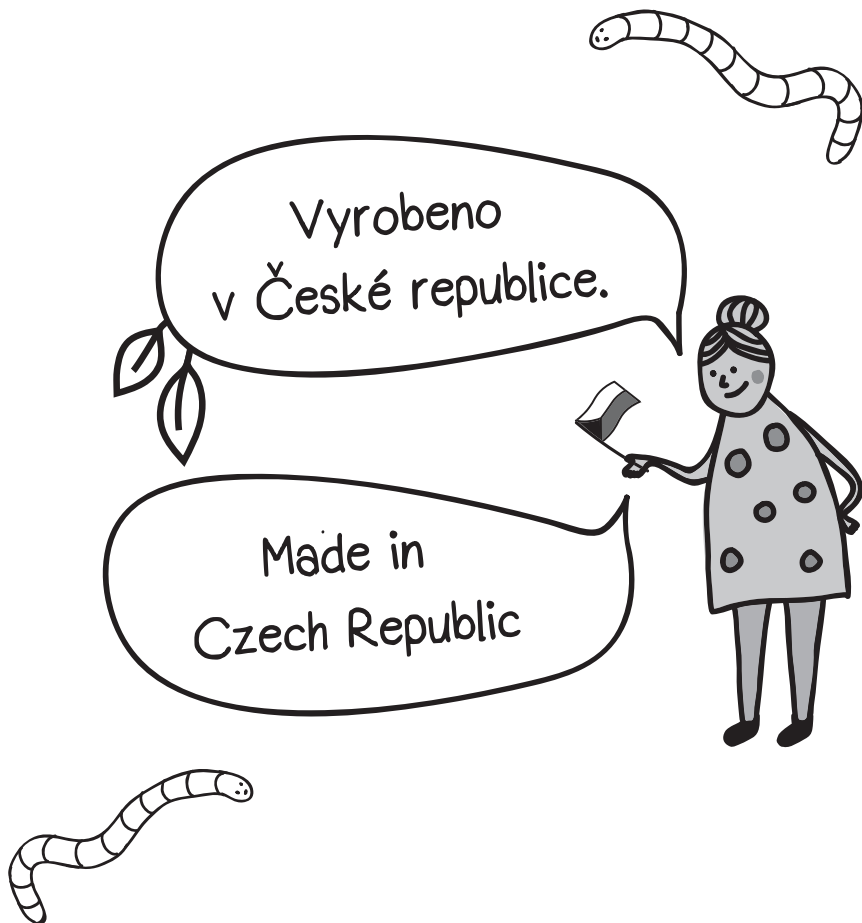
Une fois retiré le thé de vers du lombricomposteur, laver la partie inférieure avec l'orifice d'écoulement. Laver également le bac de compostage une fois le compost retiré. Il suffit de laver les deux éléments avec du liquide vaisselle et de rincer abondamment. Le tissu de filtration peut être rincé sous l'eau chaude ou remplacé par celui qui est fourni dans le colis.

Démontage: Démontez le lombricomposteur de la même manière qu'il a été monté. Séparer les bacs individuels, retirer le tissu de filtration, le feutre de couverture et retirer les pieds de la partie inférieure.

Pièces de rechange: Des pièces détachées pour le lombricomposteur sont requises ? Les pièces détachées peuvent être achetées sur www.plastia.eu.

Élimination: Éliminer de manière responsable les pièces en plastique du composteur dans un conteneur en plastique (pièces en plastique) ou dans la déchetterie de votre lieu de résidence. Jeter le tissu de filtration avec les déchets mélangés. L'élimination doit être réalisée conformément à la réglementation gouvernementale (directives européennes) - Loi n° 185/2001 Sb. (2002/95/CE) relative aux déchets et certaines autres lois dans le sens des modifications ultérieures.

Garantie - conditions de garantie: Le lombricomposteur est garanti pour une durée de 24 mois à compter de la date de réception de la marchandise. La garantie ne s'applique que dans les cas justifiés, en cas de vice matériel ou de fabrication. La garantie n'est valable que si le produit est utilisé conformément au mode d'emploi.



Producer / Hersteller / Výrobce / Výrobca / Fabricante / Fabricant

PLASTIA s.r.o. | Na Pankráci 1062/58, 140 00 Praha | Czech Republic

E-mail: info@plastia.cz | Tel.: +420 566 667 001

www.plastia.eu